

# PRODUCT FAMILY DATASHEET

## DECOSTAR 35

Halogen dichroic reflector lamps with 35 mm diameter



---

### AREAS OF APPLICATION

- General illumination
- Workplace lighting
- Kitchen lighting
- Mirror lighting
- Object lighting
- Shops
- Restaurants, hotels and similar prestigious applications

---

### PRODUCT BENEFITS

- Brilliant accent light
- Dichroic reflector reduces the heat in the light beam by up to 66 %
- Approved for use in open luminaires (to IEC 60598-1)
- UV filter
- Contains no mercury

---

### PRODUCT FEATURES

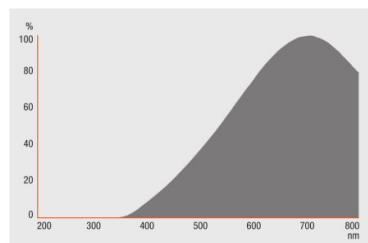
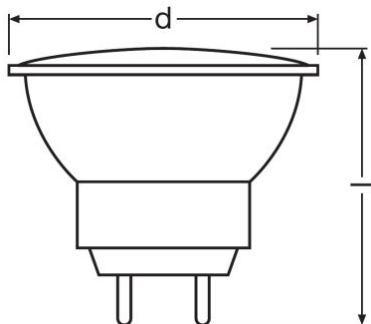
- Average life: 2,000 h
- 100 % dimmable
- Color rendering index  $R_a$ : 100
- Diameter: 35 mm
- Deco cover

TECHNICAL DATA

Product description	Electrical data				Photometrical data			Light technical data			Dimensions & weight
	Nominal wattage	Nominal voltage	Rated wattage	Power factor $\lambda$	Color temperature	Color rendering index Ra	Lumen main.fact.at end of nom.life time	Beam angle	Starting time	Warm-up time (60 %)	Diameter
DECOSTAR 35 10 W 12 V 36° GU4	10.00 W	12 V	10.00 W	1.00	2800 K	100	0.75	36 °	0.0 s	0.00 s	35.0 mm
DECOSTAR 35 20 W 12 V 36° GU4	20.00 W	12 V	20.00 W	1.00	2800 K	100	0.75	36 °	0.0 s	0.00 s	35.0 mm
DECOSTAR 35 35 W 12 V 10° GU4	35.00 W	12 V	35.00 W	1.00	2900 K	100	0.75	10 °	0.0 s	0.00 s	35.0 mm
DECOSTAR 35 35 W 12 V 36° GU4	35.00 W	12 V	35.00 W	1.00	2900 K	100	0.75	36 °	0.0 s	0.00 s	35.0 mm

Product description	Overall length	Lifespan			Additional product data			Capabilities	
		Nominal lamp life time	Rated lamp life time	Number of switching cycles	Base (standard designation)	Mercury content	Mercury-free	Burning position	Dimmable
DECOSTAR 35 10 W 12 V 36° GU4	42.0 mm	4000 h	4000 h	100000	GU4	0.0 mg	Yes	Any	Yes
DECOSTAR 35 20 W 12 V 36° GU4	42.0 mm	2000 h	2000 h	100000	GU4	0.0 mg	Yes	Any	Yes
DECOSTAR 35 35 W 12 V 10° GU4	42.0 mm	2000 h	2000 h	50000	GU4	0.0 mg	Yes	Any	Yes
DECOSTAR 35 35 W 12 V 36° GU4	42.0 mm	4000 h	4000 h	100000	GU4	0.0 mg	Yes	Any	Yes

Product description	Certificates & standards		Country-specific categorizations
	Energy efficiency class	Energy consumption	ILCOS
DECOSTAR 35 10 W 12 V 36° GU4	C	11 kWh/1000h	HRGS//UB-10-12-GU4-35/36
DECOSTAR 35 20 W 12 V 36° GU4	C	22 kWh/1000h	HRGS//UB-20-12-GU4-35/36
DECOSTAR 35 35 W 12 V 10° GU4	C	38 kWh/1000h	HRGS//UB-35-12-GU4-35/10
DECOSTAR 35 35 W 12 V 36° GU4	C	38 kWh/1000h	HRGS//UB-35-12-GU4-35/36



DECOSTAR 35 10 W 12 V 36° GU4,  
 DECOSTAR 35 20 W 12 V 36° GU4,  
 DECOSTAR 35 35 W 12 V 10° GU4,  
 DECOSTAR 35 35 W 12 V 36° GU4

DECOSTAR 35 10 W 12 V 36° GU4,  
 DECOSTAR 35 20 W 12 V 36° GU4,  
 DECOSTAR 35 35 W 12 V 10° GU4,  
 DECOSTAR 35 35 W 12 V 36° GU4

### APPLICATION ADVICE

For more detailed application information and graphics please see product datasheet.

### LOGISTICAL DATA

Product code	Product description	Packaging unit (Pieces/Unit)	Dimensions (length x width x height)	Volume	Gross weight
4050300443935	DECOSTAR 35 10 W 12 V 36° GU4	Shipping carton box 10	178 mm x 69 mm x 72 mm	0.88 dm <sup>3</sup>	227.40 g
4050300346168	DECOSTAR 35 20 W 12 V 36° GU4	Shipping carton box 10	178 mm x 70 mm x 71 mm	0.88 dm <sup>3</sup>	231.00 g
4050300940472	DECOSTAR 35 20 W 12 V 36° GU4	Shipping carton box 10	178 mm x 81 mm x 58 mm	0.84 dm <sup>3</sup>	233.00 g
4050300346182	DECOSTAR 35 35 W 12 V 10° GU4	Shipping carton box 10	81 mm x 58 mm x 183 mm	0.86 dm <sup>3</sup>	210.50 g

Product code	Product description	Packaging unit (Pieces/Unit)	Dimensions (length x width x height)	Volume	Gross weight
4050300346229	DECOSTAR 35 35 W 12 V 36° GU4	Shipping carton box 10	178 mm x 58 mm x 81 mm	0.84 dm <sup>3</sup>	215.73 g

The mentioned product code describes the smallest quantity unit which can be ordered. One shipping unit can contain one or more single products. When placing an order, for the quantity please enter single or multiples of a shipping unit.

---

#### DISCLAIMER

Subject to change without notice. Errors and omission excepted. Always make sure to use the most recent release.