

PRODUCT FAMILY DATASHEET

LUMILUX T5 FC

Circular fluorescent lamps 16 mm, with 2GX13 base



AREAS OF APPLICATION

- Public buildings
- Offices
- Restaurants
- Industry
- Shops
- Supermarkets and department stores
- Hotels

PRODUCT BENEFITS

- Extremely economical
- Good quality of light
- Excellent luminous flux
- Excellent uniform illumination with no shadows
- Good average life (with OSRAM ECG)

PRODUCT FEATURES

- Good color rendering group: 1B (R_a : 80...89)
- Dimmable (from 100...1 % with QTi DALI/DIM ECG)
- Single-ended round fluorescent lamp
- Tube diameter: 16.0 mm



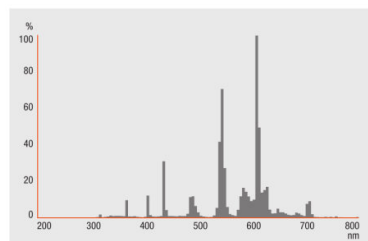
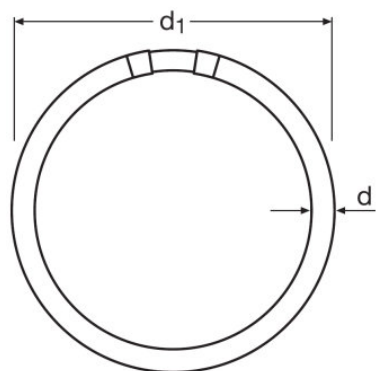
TECHNICAL DATA

Product description	Electrical data	Photometrical data				Dimensions & weight		Temperatures & operating conditions	Lifespan		Additional product data	
	Nominal wattage	Color rendering index Ra	Luminous flux at 25 °C	Color temperature	Light color (designation)	Tube diameter	Length with base excl. base pins/connection	Rated ambient temp.w. max.luminous flux	Service life	Lifespan	Base (standard designation)	Show WEEE picto
FC 22 W/827 ¹⁾	22.00 W	≥80	1900 lm	2700 K	LUMILUX INTERNA	16 mm	225.00 mm	35.0 °C	8000 h ²⁾	12000 h ²⁾	2GX13	Yes
FC 22 W/830 ¹⁾	22.00 W	≥80	1900 lm	3000 K	LUMILUX Warm White	16 mm	225.00 mm	35.0 °C	8000 h ²⁾	12000 h ²⁾	2GX13	Yes
FC 22 W/840 ¹⁾	22.00 W	≥80	1900 lm	4000 K	LUMILUX Cool White	16 mm	225.00 mm	35.0 °C	8000 h ²⁾	12000 h ²⁾	2GX13	Yes
FC 22 W/865 ¹⁾	22.00 W	≥80	1800 lm	6500 K	LUMILUX Cool Daylight	16 mm	225.00 mm	35.0 °C	8000 h ²⁾	12000 h ²⁾	2GX13	Yes
FC 40 W/827 ¹⁾	40.00 W	≥80	3400 lm	2700 K	LUMILUX INTERNA	16 mm	300.00 mm	35.0 °C	8000 h ²⁾	12000 h ²⁾	2GX13	Yes
FC 40 W/830 ¹⁾	40.00 W	≥80	3400 lm	3000 K	LUMILUX Warm White	16 mm	300.00 mm	35.0 °C	8000 h ²⁾	12000 h ²⁾	2GX13	Yes
FC 40 W/840 ¹⁾	40.00 W	≥80	3400 lm	4000 K	LUMILUX Cool White	16 mm	300.00 mm	35.0 °C	8000 h ²⁾	12000 h ²⁾	2GX13	Yes
FC 40 W/865 ¹⁾	40.00 W	≥80	3300 lm	6500 K	LUMILUX Cool Daylight	16 mm	300.00 mm	35.0 °C	8000 h ²⁾	12000 h ²⁾	2GX13	Yes
FC 55 W/827 ¹⁾	55.00 W	≥80	4200 lm	2700 K	LUMILUX INTERNA	16 mm	300.00 mm	35.0 °C	8000 h ²⁾	12000 h ²⁾	2GX13	Yes
FC 55 W/830 ¹⁾	55.00 W	≥80	4200 lm	3000 K	LUMILUX Warm White	16 mm	300.00 mm	35.0 °C	8000 h ²⁾	12000 h ²⁾	2GX13	Yes
FC 55 W/840 ¹⁾	55.00 W	≥80	4200 lm	4000 K	LUMILUX Cool White	16 mm	300.00 mm	35.0 °C	8000 h ²⁾	12000 h ²⁾	2GX13	Yes
FC 55 W/865 ¹⁾	55.00 W	≥80	3990 lm	6500 K	LUMILUX Cool Daylight	16 mm	300.00 mm	35.0 °C	8000 h ²⁾	12000 h ²⁾	2GX13	Yes

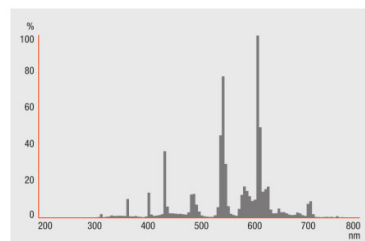
Product description	Capabilities	Certificates & standards	
	Suitable for indoor	Energy consumption	Energy efficiency class
FC 22 W/827 ¹⁾	Yes	25 kWh/1000h	A
FC 22 W/830 ¹⁾	Yes	25 kWh/1000h	A
FC 22 W/840 ¹⁾	Yes	25 kWh/1000h	A
FC 22 W/865 ¹⁾	Yes	25 kWh/1000h	A
FC 40 W/827 ¹⁾	Yes	44 kWh/1000h	A+
FC 40 W/830 ¹⁾	Yes	44 kWh/1000h	A+
FC 40 W/840 ¹⁾	Yes	44 kWh/1000h	A+
FC 40 W/865 ¹⁾	Yes	44 kWh/1000h	A+
FC 55 W/827 ¹⁾	Yes	61 kWh/1000h	A
FC 55 W/830 ¹⁾	Yes	61 kWh/1000h	A
FC 55 W/840 ¹⁾	Yes	61 kWh/1000h	A
FC 55 W/865 ¹⁾	Yes	61 kWh/1000h	A

¹⁾ Suitable for ECG operation only

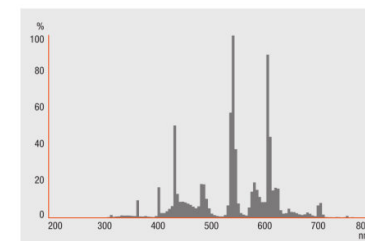
²⁾ With preheat ECG



FC 22 W/827, FC 40 W/827, FC 55 W/827

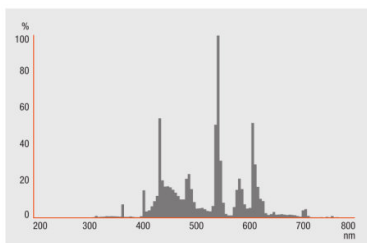


FC 22 W/830, FC 40 W/830, FC 55 W/830



FC 22 W/840, FC 40 W/840, FC 55 W/840

FC 22 W/827, FC 22 W/830, FC 22 W/840, FC 22 W/865, FC 40 W/827, FC 40 W/830, FC 40 W/840, FC 40 W/865, FC 55 W/827, FC 55 W/830, FC 55 W/840, FC 55 W/865



FC 22 W/865, FC 40 W/865, FC 55
W/865

SYSTEM GUARANTEE

OSRAM System+ Guarantee in combination with OSRAM ECGs

EQUIPMENT / ACCESSORIES

– Exclusively for operation on electronic control gears

SAFETY ADVICE

In case of lamp breakage: www.ledvance.com/brokenlamp

APPLICATION ADVICE

For more detailed application information and graphics please see product datasheet.

LOGISTICAL DATA

Product code	Product description	Packaging unit (Pieces/Unit)	Dimensions (length x width x height)	Volume	Gross weight
4050300646237	FC 22 W/827	Shipping carton box 12	375 mm x 245 mm x 253 mm	23.24 dm ³	1865.00 g
4050300528489	FC 22 W/830	Shipping carton box 12	375 mm x 245 mm x 253 mm	23.24 dm ³	1865.00 g
4050300528465	FC 22 W/840	Shipping carton box 12	375 mm x 245 mm x 253 mm	23.24 dm ³	1865.00 g
4050300528441	FC 22 W/865	Shipping carton box 12	375 mm x 245 mm x 253 mm	23.24 dm ³	1865.00 g
4050300646251	FC 40 W/827	Shipping carton box 12	368 mm x 330 mm x 319 mm	38.74 dm ³	2727.00 g
4050300528540	FC 40 W/830	Shipping carton box 12	375 mm x 320 mm x 328 mm	39.36 dm ³	2787.00 g
4050300528526	FC 40 W/840	Shipping carton box 12	375 mm x 320 mm x 328 mm	39.36 dm ³	2787.00 g
4050300528502	FC 40 W/865	Shipping carton box 12	375 mm x 320 mm x 328 mm	39.36 dm ³	2787.00 g
4050300646275	FC 55 W/827	Shipping carton box 12	375 mm x 320 mm x 328 mm	39.36 dm ³	2787.00 g
4050300528601	FC 55 W/830	Shipping carton box 12	375 mm x 320 mm x 328 mm	39.36 dm ³	2787.00 g
4050300528588	FC 55 W/840	Shipping carton box 12	237 mm x 320 mm x 328 mm	24.88 dm ³	1713.60 g
4050300528564	FC 55 W/865	Shipping carton box 12	375 mm x 320 mm x 328 mm	39.36 dm ³	2695.00 g

The mentioned product code describes the smallest quantity unit which can be ordered. One shipping unit can contain one or more single products. When placing an order, for the quantity please enter single or multiples of a shipping unit.

REFERENCES / LINKS

For more information on the system guarantee and the terms and conditions of the guarantee visit

▶ www.ledvance.com/system-guarantee

DISCLAIMER

Subject to change without notice. Errors and omission excepted. Always make sure to use the most recent release.