

PRODUCT FAMILY DATASHEET

DECOSTAR 51S Standard

Halogen dichroic reflector lamps with 51 mm diameter



AREAS OF APPLICATION

- General illumination
- Entrance lighting
- Workplace lighting
- Kitchen lighting
- Mirror lighting
- Object lighting

PRODUCT BENEFITS

- Brilliant accent light
- Dichroic reflector reduces the heat in the light beam by up to 66 %
- Approved for use in open luminaires (to IEC 60598-1)
- UV filter
- Contains no mercury

PRODUCT FEATURES

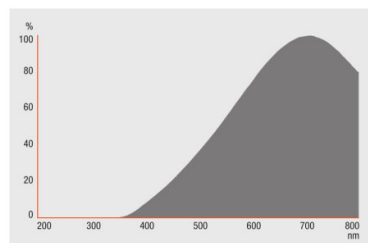
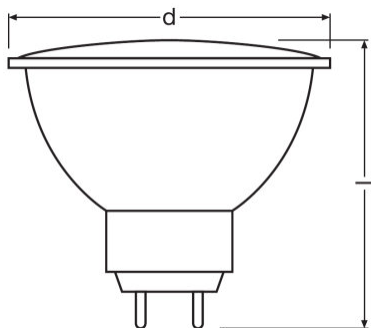
- Average life: 4,000 h
- 100 % dimmable
- Color rendering index R_a : 100
- Diameter: 51 mm
- Deco cover

TECHNICAL DATA

Product description	Electrical data				Photometrical data			Light technical data			Dimensions & weight
	Nominal wattage	Nominal voltage	Rated wattage	Power factor λ	Color temperature	Color rendering index Ra	Lumen main.fact.at end of nom.life time	Beam angle	Starting time	Warm-up time (60 %)	Diameter
DECOSTAR 51S 20 W 12 V 36° GU5.3	20.00 W	12 V	20.00 W	1.00	2800 K	100	0.75	36 °	0.0 s	0.00 s	51.0 mm
DECOSTAR 51S 35 W 12 V 36° GU5.3	35.00 W	12 V	35.00 W	1.00	2900 K	100	0.75	36 °	0.0 s	0.00 s	51.0 mm
DECOSTAR 51S 50 W 12 V 36° GU5.3	50.00 W	12 V	50.00 W	1.00	2950 K	100	0.75	36 °	0.0 s	0.00 s	51.0 mm

Product description	Overall length	Lifespan			Additional product data			Capabilities	
		Nominal lamp life time	Rated lamp life time	Number of switching cycles	Base (standard designation)	Mercury content	Mercury-free	Burning position	Dimmable
DECOSTAR 51S 20 W 12 V 36° GU5.3	46.0 mm	2000 h	2000 h	100000	GU5.3	0.0 mg	Yes	Any	Yes
DECOSTAR 51S 35 W 12 V 36° GU5.3	46.0 mm	2000 h	2000 h	100000	GU5.3	0.0 mg	Yes	Any	Yes
DECOSTAR 51S 50 W 12 V 36° GU5.3	46.0 mm	2000 h	2000 h	100000	GU5.3	0.0 mg	Yes	Any	Yes

Product description	Certificates & standards		Country-specific categorizations
	Energy efficiency class	Energy consumption	ILCOS
DECOSTAR 51S 20 W 12 V 36° GU5.3	C	22 kWh/1000h	HRGS//UB-20-12-GU5.3-51/36
DECOSTAR 51S 35 W 12 V 36° GU5.3	C	38 kWh/1000h	HRGS//UB-35-12-GU5.3-51/36
DECOSTAR 51S 50 W 12 V 36° GU5.3	C	54 kWh/1000h	HRGS//UB-50-12-GU5.3-51/36



DECOSTAR 51S 20 W 12 V 36° GU5.3,
 DECOSTAR 51S 35 W 12 V 36° GU5.3,
 DECOSTAR 51S 50 W 12 V 36° GU5.3

DECOSTAR 51S 20 W 12 V 36° GU5.3,
 DECOSTAR 51S 35 W 12 V 36° GU5.3,
 DECOSTAR 51S 50 W 12 V 36° GU5.3

APPLICATION ADVICE

For more detailed application information and graphics please see product datasheet.

LOGISTICAL DATA

Product code	Product description	Packaging unit (Pieces/Unit)	Dimensions (length x width x height)	Volume	Gross weight
4050300272511	DECOSTAR 51S 20 W 12 V 36° GU5.3	Shipping carton box 20	202 mm x 124 mm x 147 mm	3.68 dm ³	856.00 g
4050300272511	DECOSTAR 51S 20 W 12 V 36° GU5.3	Shipping carton box 60	290 mm x 135 mm x 245 mm	9.59 dm ³	2578.00 g
4050300272634	DECOSTAR 51S 35 W 12 V 36° GU5.3	Shipping carton box 20	201 mm x 123 mm x 148 mm	3.66 dm ³	856.12 g
4050300272795	DECOSTAR 51S 50 W 12 V 36° GU5.3	Shipping carton box 20	192 mm x 122 mm x 157 mm	3.68 dm ³	856.00 g

Product code	Product description	Packaging unit (Pieces/Unit)	Dimensions (length x width x height)	Volume	Gross weight
4050300272795	DECOSTAR 51S 50 W 12 V 36° GU5.3	Shipping carton box 20	106 mm x 127 mm x 244 mm	3.28 dm ³	940.00 g
4050300272795	DECOSTAR 51S 50 W 12 V 36° GU5.3	Shipping carton box 60	290 mm x 135 mm x 245 mm	9.59 dm ³	2578.00 g

The mentioned product code describes the smallest quantity unit which can be ordered. One shipping unit can contain one or more single products. When placing an order, for the quantity please enter single or multiples of a shipping unit.

DISCLAIMER

Subject to change without notice. Errors and omission excepted. Always make sure to use the most recent release.