

PRODUCT FAMILY DATASHEET

DECOSTAR 51 TITAN

Halogen dichroic reflector lamps with 51 mm diameter



AREAS OF APPLICATION

- General illumination
- Shops
- Restaurants, hotels and similar prestigious applications
- Offices, public buildings

PRODUCT BENEFITS

- Brilliant accent light
- Constant bluish appearance of the light escaping at the back of the reflector
- Dichroic reflector reduces the heat in the light beam by up to 66 %
- Constant luminous intensity and constant color location throughout the lifetime
- Flat clear shield
- Approved for use in open luminaires (to IEC 60598-1)
- UV filter
- Contains no mercury

PRODUCT FEATURES

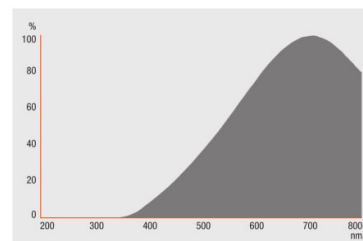
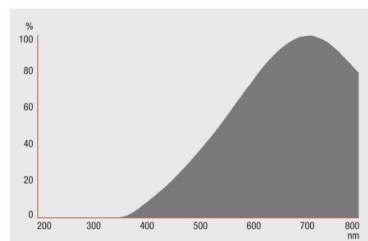
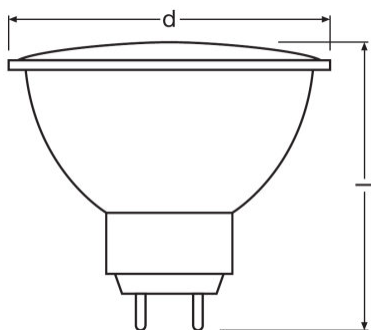
- Average life: 4,000 h
- 100 % dimmable
- Color rendering index R_a : 100
- Color temperature: 3,000 K
- Diameter: 51 mm
- Deco cover

TECHNICAL DATA

Product description	Electrical data				Photometrical data			Light technical data			Dimensions & weight
	Nominal wattage	Nominal voltage	Rated wattage	Power factor λ	Color temperature	Color rendering index Ra	Lumen main.fact.at end of nom.life time	Beam angle	Starting time	Warm-up time (60 %)	Diameter
DECOSTAR 51 TITAN 20 W 12 V 10° GU5.3	20.00 W	12 V	20.00 W	1.00	2900 K	100	0.75	10 °	0.0 s	0.00 s	51.0 mm
DECOSTAR 51 LL 20 W 12 V 36° GU5.3	20.00 W	12 V	20.00 W	1.00	2800 K	100	0.75	36 °	0.0 s	0.00 s	51.0 mm
DECOSTAR 51 TITAN 20 W 12 V 36° GU5.3	20.00 W	12 V	20.00 W	1.00	3000 K	100	0.75	36 °	0.0 s	0.00 s	51.0 mm
DECOSTAR 51 TITAN 20 W 12 V 60° GU5.3	20.00 W	12 V	20.00 W	1.00	3000 K	100	0.75	60 °	0.0 s	0.00 s	51.0 mm
DECOSTAR 51 TITAN 35 W 12 V 10° GU5.3	35.00 W	12 V	35.00 W	1.00	3000 K	100	0.75	10 °	0.0 s	0.00 s	51.0 mm
DECOSTAR 51 TITAN 35 W 12 V 24° GU5.3	35.00 W	12 V	35.00 W	1.00	3000 K	100	0.75	24 °	0.0 s	0.00 s	51.0 mm
DECOSTAR 51 TITAN 35 W 12 V 36° GU5.3	35.00 W	12 V	35.00 W	1.00	3000 K	100	0.75	36 °	0.0 s	0.00 s	51.0 mm
DECOSTAR 51 TITAN 35 W 12 V 60° GU5.3	35.00 W	12 V	35.00 W	1.00	3000 K	100	0.75	60 °	0.0 s	0.00 s	51.0 mm
DECOSTAR 51 TITAN 35 W 12 V 36° GU5.3	35.00 W	12 V	35.00 W	1.00	2900 K	100	0.75	36 °	0.0 s	0.00 s	51.0 mm
DECOSTAR 51 TITAN 35 W 12 V 60° GU5.3	35.00 W	12 V	35.00 W	1.00	3000 K	100	0.75	60 °	0.0 s	0.00 s	51.0 mm
DECOSTAR 51 TITAN 50 W 12 V 10° GU5.3	50.00 W	12 V	50.00 W	1.00	3000 K	100	0.75	10 °	0.0 s	0.00 s	51.0 mm
DECOSTAR 51 TITAN 50 W 12 V 24° GU5.3	50.00 W	12 V	50.00 W	1.00	3000 K	100	0.75	24 °	0.0 s	0.00 s	51.0 mm
DECOSTAR 51 LL 50 W 12 V 36° GU5.3	50.00 W	12 V	50.00 W	1.00	2950 K	100	0.75	36 °	0.0 s	0.00 s	51.0 mm
DECOSTAR 51 TITAN 50 W 12 V 36° GU5.3	50.00 W	12 V	50.00 W	1.00	3000 K	100	0.75	36 °	0.0 s	0.00 s	51.0 mm
DECOSTAR 51 TITAN 50 W 12 V 60° GU5.3	50.00 W	12 V	50.00 W	1.00	3000 K	100	0.75	60 °	0.0 s	0.00 s	51.0 mm

Product description	Overall length	Lifespan			Additional product data			Capabilities	
		Nominal lamp life time	Rated lamp life time	Number of switching cycles	Base (standard designation)	Mercury content	Mercury-free	Burning position	Dimmable
DECOSTAR 51 TITAN 20 W 12 V 10° GU5.3	45.0 mm	4000 h	4000 h	100000	GU5.3	0.0 mg	Yes	Any	Yes
DECOSTAR 51 LL 20 W 12 V 36° GU5.3	46.0 mm	4000 h	4000 h	100000	GU5.3	0.0 mg	Yes	Any	Yes
DECOSTAR 51 TITAN 20 W 12 V 36° GU5.3	46.0 mm	4000 h	4000 h	100000	GU5.3	0.0 mg	Yes	Any	Yes
DECOSTAR 51 TITAN 20 W 12 V 60° GU5.3	46.0 mm	4000 h	4000 h	100000	GU5.3	0.0 mg	Yes	Any	Yes
DECOSTAR 51 TITAN 35 W 12 V 10° GU5.3	46.0 mm	4000 h	4000 h	100000	GU5.3	0.0 mg	Yes	Any	Yes
DECOSTAR 51 TITAN 35 W 12 V 24° GU5.3	45.0 mm	4000 h	4000 h	100000	GU5.3	0.0 mg	Yes	Any	Yes
DECOSTAR 51 TITAN 35 W 12 V 36° GU5.3	46.0 mm	4000 h	4000 h	100000	GU5.3	0.0 mg	Yes	Any	Yes
DECOSTAR 51 TITAN 35 W 12 V 60° GU5.3	46.0 mm	4000 h	4000 h	100000	GU5.3	0.0 mg	Yes	Any	Yes
DECOSTAR 51 TITAN 35 W 12 V 36° GU5.3	46.0 mm	4000 h	4000 h	100000	GU5.3	0.0 mg	Yes	Any	Yes
DECOSTAR 51 TITAN 35 W 12 V 60° GU5.3	46.0 mm	4000 h	4000 h	100000	GU5.3	0.0 mg	Yes	Any	Yes
DECOSTAR 51 TITAN 50 W 12 V 10° GU5.3	46.0 mm	4000 h	4000 h	100000	GU5.3	0.0 mg	Yes	Any	Yes
DECOSTAR 51 TITAN 50 W 12 V 24° GU5.3	45.0 mm	4000 h	4000 h	100000	GU5.3	0.0 mg	Yes	Any	Yes
DECOSTAR 51 LL 50 W 12 V 36° GU5.3	46.0 mm	4000 h	4000 h	100000	GU5.3	0.0 mg	Yes	Any	Yes
DECOSTAR 51 TITAN 50 W 12 V 36° GU5.3	46.0 mm	4000 h	4000 h	100000	GU5.3	0.0 mg	Yes	Any	Yes
DECOSTAR 51 TITAN 50 W 12 V 60° GU5.3	46.0 mm	4000 h	4000 h	100000	GU5.3	0.0 mg	Yes	Any	Yes

Product description	Certificates & standards		Country-specific categorizations
	Energy efficiency class	Energy consumption	ILCOS
DECOSTAR 51 TITAN 20 W 12 V 10° GU5.3	B	22 kWh/1000h	HRGS//UB-20-12-GU5.3-51/10
DECOSTAR 51 LL 20 W 12 V 36° GU5.3	C	22 kWh/1000h	HRGS//UB-20-12-GU5.3-51/36
DECOSTAR 51 TITAN 20 W 12 V 36° GU5.3	B	22 kWh/1000h	HRGS//UB-20-12-GU5.3-51/36
DECOSTAR 51 TITAN 20 W 12 V 60° GU5.3	B	22 kWh/1000h	HRGS//UB-20-12-GU5.3-51/60
DECOSTAR 51 TITAN 35 W 12 V 10° GU5.3	B	38 kWh/1000h	HRGS//UB-35-12-GU5.3-51/10
DECOSTAR 51 TITAN 35 W 12 V 24° GU5.3	B	38 kWh/1000h	HRGS//UB-35-12-GU5.3-51/24
DECOSTAR 51 TITAN 35 W 12 V 36° GU5.3	B	38 kWh/1000h	HRGS//UB-35-12-GU5.3-51/36
DECOSTAR 51 TITAN 35 W 12 V 60° GU5.3	B	38 kWh/1000h	HRGS//UB-35-12-GU5.3-51/60
DECOSTAR 51 TITAN 35 W 12 V 36° GU5.3	C	38 kWh/1000h	HRGS//UB-35-12-GU5.3-51/36
DECOSTAR 51 TITAN 35 W 12 V 60° GU5.3	B	38 kWh/1000h	HRGS//UB-35-12-GU5.3-51/60
DECOSTAR 51 TITAN 50 W 12 V 10° GU5.3	B	54 kWh/1000h	HRGS//UB-50-12-GU5.3-51/10
DECOSTAR 51 TITAN 50 W 12 V 24° GU5.3	B	54 kWh/1000h	HRGS//UB-50-12-GU5.3-51/24
DECOSTAR 51 LL 50 W 12 V 36° GU5.3	C	54 kWh/1000h	HRGS//UB-50-12-GU5.3-51/36
DECOSTAR 51 TITAN 50 W 12 V 36° GU5.3	B	54 kWh/1000h	HRGS//UB-50-12-GU5.3-51/36
DECOSTAR 51 TITAN 50 W 12 V 60° GU5.3	B	54 kWh/1000h	HRGS//UB-50-12-GU5.3-51/60



DECOSTAR 51 TITAN 20 W 12 V 10° GU5.3, DECOSTAR 51 LL 20 W 12 V 36° GU5.3, DECOSTAR 51 TITAN 20 W 12 V 36° GU5.3, DECOSTAR 51 TITAN 20 W 12 V 60° GU5.3, DECOSTAR 51 TITAN 35 W 12 V 10° GU5.3, DECOSTAR 51 TITAN 35 W 12 V 24° GU5.3, DECOSTAR 51 TITAN 35 W 12 V 36° GU5.3, DECOSTAR 51 TITAN 35 W 12 V 36° GU5.3, DECOSTAR 51 TITAN 35 W 12 V 60° GU5.3, DECOSTAR 51 TITAN 50 W 12 V 10° GU5.3, DECOSTAR 51 TITAN 50 W 12 V 24° GU5.3, DECOSTAR 51 LL 50 W 12 V 36° GU5.3, DECOSTAR 51 TITAN 50 W 12 V 36° GU5.3, DECOSTAR 51 TITAN 50 W 12 V 60° GU5.3

DECOSTAR 51 TITAN 20 W 12 V 10° GU5.3, DECOSTAR 51 TITAN 20 W 12 V 36° GU5.3, DECOSTAR 51 TITAN 20 W 12 V 60° GU5.3, DECOSTAR 51 TITAN 35 W 12 V 10° GU5.3, DECOSTAR 51 TITAN 35 W 12 V 24° GU5.3, DECOSTAR 51 TITAN 35 W 12 V 36° GU5.3, DECOSTAR 51 TITAN 35 W 12 V 60° GU5.3, DECOSTAR 51 TITAN 50 W 12 V 10° GU5.3, DECOSTAR 51 TITAN 50 W 12 V 24° GU5.3, DECOSTAR 51 LL 50 W 12 V 36° GU5.3, DECOSTAR 51 TITAN 50 W 12 V 36° GU5.3, DECOSTAR 51 TITAN 50 W 12 V 60° GU5.3

DECOSTAR 51 LL 20 W 12 V 36° GU5.3, DECOSTAR 51 TITAN 35 W 12 V 36° GU5.3

APPLICATION ADVICE

For more detailed application information and graphics please see product datasheet.

LOGISTICAL DATA

Product code	Product description	Packaging unit (Pieces/Unit)	Dimensions (length x width x height)	Volume	Gross weight
4050300428635	DECOSTAR 51 TITAN 20 W 12 V 10° GU5.3	Shipping carton box 20	103 mm x 122 mm x 246 mm	3.09 dm ³	836.00 g
4050300857596	DECOSTAR 51 LL 20 W 12 V 36° GU5.3	Shipping carton box 20	242 mm x 109 mm x 127 mm	3.35 dm ³	828.00 g
4050300428659	DECOSTAR 51 TITAN 20 W 12 V 36° GU5.3	Shipping carton box 20	238 mm x 122 mm x 109 mm	3.16 dm ³	896.00 g
4050300428673	DECOSTAR 51 TITAN 20 W 12 V 60° GU5.3	Shipping carton box 20	238 mm x 122 mm x 106 mm	3.08 dm ³	836.00 g
4050300428697	DECOSTAR 51 TITAN 35 W 12 V 10° GU5.3	Shipping carton box 20	238 mm x 105 mm x 123 mm	3.07 dm ³	836.00 g
4050300476414	DECOSTAR 51 TITAN 35 W 12 V 24° GU5.3	Shipping carton box 20	238 mm x 123 mm x 123 mm	3.60 dm ³	836.00 g
4050300428710	DECOSTAR 51 TITAN 35 W 12 V 36° GU5.3	Shipping carton box 20	142 mm x 123 mm x 210 mm	3.67 dm ³	836.00 g
4052899169852	DECOSTAR 51 TITAN 35 W 12 V 60° GU5.3	Shipping carton box 20	238 mm x 105 mm x 123 mm	3.07 dm ³	842.00 g
4050300857572	DECOSTAR 51 TITAN 35 W 12 V 36° GU5.3	Shipping carton box 20	242 mm x 109 mm x 127 mm	3.35 dm ³	828.00 g
4050300428734	DECOSTAR 51 TITAN 35 W 12 V 60° GU5.3	Shipping carton box 20	238 mm x 135 mm x 123 mm	3.95 dm ³	836.00 g
4050300428758	DECOSTAR 51 TITAN 50 W 12 V 10° GU5.3	Shipping carton box 20	238 mm x 122 mm x 109 mm	3.16 dm ³	896.00 g
4050300465708	DECOSTAR 51 TITAN 50 W 12 V 24° GU5.3	Shipping carton box 20	175 mm x 127 mm x 176 mm	3.91 dm ³	896.00 g
4050300857619	DECOSTAR 51 LL 50 W 12 V 36° GU5.3	Shipping carton box 20	238 mm x 105 mm x 123 mm	3.07 dm ³	820.00 g
4050300428772	DECOSTAR 51 TITAN 50 W 12 V 36° GU5.3	Shipping carton box 20	151 mm x 126 mm x 196 mm	3.73 dm ³	836.00 g
4050300428796	DECOSTAR 51 TITAN 50 W 12 V 60° GU5.3	Shipping carton box 20	238 mm x 122 mm x 109 mm	3.16 dm ³	836.00 g

Product code	Product description	Packaging unit (Pieces/Unit)	Dimensions (length x width x height)	Volume	Gross weight
--------------	---------------------	------------------------------	--------------------------------------	--------	--------------

The mentioned product code describes the smallest quantity unit which can be ordered. One shipping unit can contain one or more single products. When placing an order, for the quantity please enter single or multiples of a shipping unit.

DISCLAIMER

Subject to change without notice. Errors and omission excepted. Always make sure to use the most recent release.