

# PRODUCT FAMILY DATASHEET

## PARATHOM MR16 DIM

Dimmable low-voltage LED reflector lamps MR16 with retrofit pin base



---

### AREAS OF APPLICATION

- Shops
- Hospitality
- Museums, art galleries
- Residential interiors
- As a downlight for marking walkways, doors, stairs, etc.
- Spotlighting for accents
- Display cabinets and shop windows
- Spotlighting heat-sensitive objects such as food, plants, etc.
- Outdoor applications only in suitable luminaires

---

### PRODUCT BENEFITS

- Very long lifetime of up to 25,000 h
- Low energy consumption
- High color consistency thanks to narrow binning
- Easy replacement of halogen lamps due to compact full glass design and single optic
- Ideal for economical spotlighting

---

### PRODUCT FEATURES

- Professional LED alternative to low voltage halogen lamps
- Good quality of light; color rendering index  $R_a \geq 80$
- High color consistency:  $\leq 5$  SDCM
- Dimmable (with many common dimmers, see also [www.ledvance.com/dim](http://www.ledvance.com/dim))
- Made in Germany (versions up to 35 W)
- Mercury-free lamps



TECHNICAL DATA

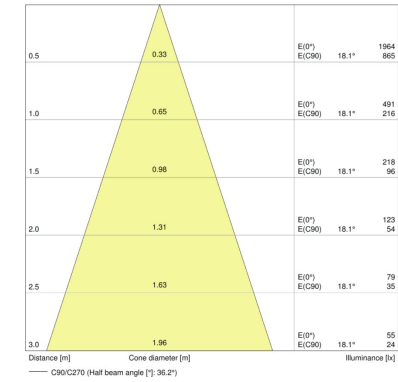
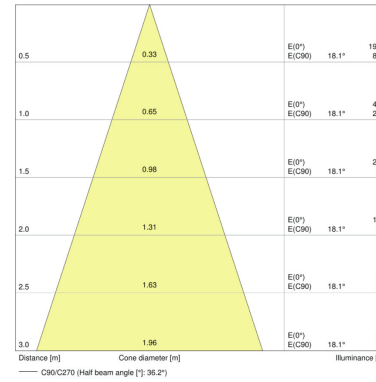
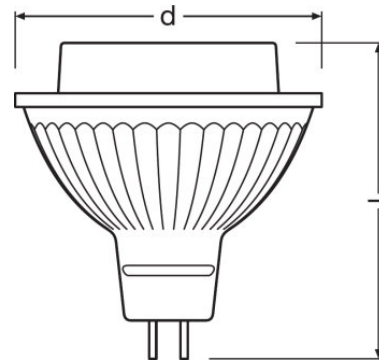
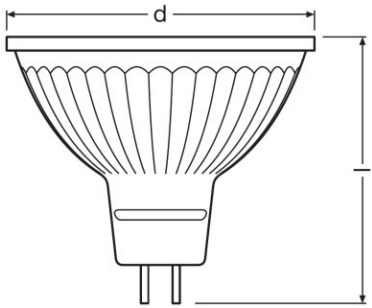
Product description	Electrical data					Photometrical data			
	Nominal wattage	Nominal voltage	Claimed equiv. conventional lamp power	Max. lamp no. on circuit break. 10 A (B)	Max. lamp no. on circuit break. 16 A (B)	Nominal luminous flux	Rated luminous flux	Color temperature	Lumen main.fact.at end of nom.life time
P MR16 20 36° 3.4 W/2700K GU5.3 <sup>1)</sup>	3.40 W	12 V	20 W			230 lm	230 lm	2700 K	0.70
P MR16 20 36° 3.4 W/3000K GU5.3 <sup>1)</sup>	3.40 W	12 V	20 W			230 lm	230 lm	3000 K	0.70
P MR16 20 36° 3.4 W/4000K GU5.3 <sup>1)</sup>	3.40 W	12 V	20 W			230 lm	230 lm	4000 K	0.70
P MR16 35 36° 5 W/2700K GU5.3 <sup>1)</sup>	5.00 W	12 V	35 W			350 lm	350 lm	2700 K	0.70
P MR16 35 36° 5 W/3000K GU5.3 <sup>1)</sup>	5.00 W	12 V	35 W			350 lm	350 lm	3000 K	0.70
P MR16 35 36° 5 W/4000K GU5.3 <sup>1)</sup>	5.00 W	12 V	35 W			350 lm	350 lm	4000 K	0.70
P MR16 50 36° 7.8 W/2700K GU5.3 <sup>1)</sup>	7.80 W	12 V	50 W	20	33	621 lm	621 lm	2700 K	0.70
P MR16 50 36° 7.8 W/3000K GU5.3 <sup>1)</sup>	7.80 W	12 V	50 W			621 lm	621 lm	3000 K	0.70
P MR16 50 36° 7.8 W/4000K GU5.3 <sup>1)</sup>	7.80 W	12 V	50 W			621 lm	621 lm	4000 K	0.70

Product description	Light color (designation)	Color temperature	Luminous flux	Color rendering index Ra	Luminous intensity [PIM]	Light technical data		Dimensions & weight		Temperatures & operating conditions
						Beam angle	Warm-up time (60 %)	Overall length	Diameter	Maximum temperature at tc test point
P MR16 20 36° 3.4 W/2700K GU5.3 <sup>1)</sup>	Warm White	2700 K	230 lm	≥80		36 °	0.50 s	46.0 mm	51.0 mm	69 °C
P MR16 20 36° 3.4 W/3000K GU5.3 <sup>1)</sup>	Warm White	3000 K	230 lm	≥80		36 °	0.50 s	46.0 mm	51.0 mm	69 °C
P MR16 20 36° 3.4 W/4000K GU5.3 <sup>1)</sup>	Cool White	4000 K	230 lm	≥80		36 °	< 0.50 s	46.0 mm	51.0 mm	69 °C
P MR16 35 36° 5 W/2700K GU5.3 <sup>1)</sup>	Warm White	2700 K	350 lm	≥80		36 °	< 0.50 s	46.0 mm	51.0 mm	80 °C
P MR16 35 36° 5 W/3000K GU5.3 <sup>1)</sup>	Warm White	3000 K	350 lm	≥80		36 °	< 0.50 s	46.0 mm	51.0 mm	80 °C
P MR16 35 36° 5 W/4000K GU5.3 <sup>1)</sup>	Cool White	4000 K	350 lm	≥80		36 °	< 0.50 s	46.0 mm	51.0 mm	80 °C
P MR16 50 36° 7.8 W/2700K GU5.3 <sup>1)</sup>	Warm White	2700 K	621 lm	≥80	1430 cd	36 °	< 0.50 s	53.0 mm	51.0 mm	90 °C
P MR16 50 36° 7.8 W/3000K GU5.3 <sup>1)</sup>	Warm White	3000 K	621 lm	≥80		36 °	< 0.50 s	53.0 mm	51.0 mm	90 °C
P MR16 50 36° 7.8 W/4000K GU5.3 <sup>1)</sup>	Cool White	4000 K	621 lm	≥80		36 °	< 0.50 s	53.0 mm	51.0 mm	90 °C

Product description	Lifespan		Additional product data			Capabilities	Certificates & standards	
	Nominal lamp life time	Number of switching cycles	Base (standard designation)	Mercury content	Mercury-free	Dimmable	Energy efficiency class	Energy consumption
P MR16 20 36° 3.4 W/2700K GU5.3 <sup>1)</sup>	25000 h	100000	GU5.3	0.0 mg	Yes	Yes	A+	4 kWh/1000h
P MR16 20 36° 3.4 W/3000K GU5.3 <sup>1)</sup>	25000 h	100000	GU5.3	0.0 mg	Yes	Yes	A+	4 kWh/1000h
P MR16 20 36° 3.4 W/4000K GU5.3 <sup>1)</sup>	25000 h	100000	GU5.3	0.0 mg	Yes	Yes	A+	4 kWh/1000h
P MR16 35 36° 5 W/2700K GU5.3 <sup>1)</sup>	25000 h	100000	GU5.3	0.0 mg	Yes	Yes	A+	5 kWh/1000h
P MR16 35 36° 5 W/3000K GU5.3 <sup>1)</sup>	25000 h	100000	GU5.3	0.0 mg	Yes	Yes	A+	5 kWh/1000h
P MR16 35 36° 5 W/4000K GU5.3 <sup>1)</sup>	25000 h	100000	GU5.3	0.0 mg	Yes	Yes	A+	5 kWh/1000h
P MR16 50 36° 7.8 W/2700K GU5.3 <sup>1)</sup>	25000 h	100000	GU5.3	0.0 mg	Yes	Yes	A+	8 kWh/1000h
P MR16 50 36° 7.8 W/3000K GU5.3 <sup>1)</sup>	25000 h	100000	GU5.3	0.0 mg	Yes	Yes	A+	8 kWh/1000h
P MR16 50 36° 7.8 W/4000K GU5.3 <sup>1)</sup>	25000 h	100000	GU5.3	0.0 mg	Yes	Yes	A+	8 kWh/1000h

Product description	Country-specific categorizations	
	ILCOS	
P MR16 20 36° 3.4 W/2700K GU5.3 <sup>1)</sup>		
P MR16 20 36° 3.4 W/3000K GU5.3 <sup>1)</sup>		
P MR16 20 36° 3.4 W/4000K GU5.3 <sup>1)</sup>		
P MR16 35 36° 5 W/2700K GU5.3 <sup>1)</sup>		
P MR16 35 36° 5 W/3000K GU5.3 <sup>1)</sup>		
P MR16 35 36° 5 W/4000K GU5.3 <sup>1)</sup>		
P MR16 50 36° 7.8 W/2700K GU5.3 <sup>1)</sup>	DRR-7,8/827-12-GU5,3-50/36	
P MR16 50 36° 7.8 W/3000K GU5.3 <sup>1)</sup>		
P MR16 50 36° 7.8 W/4000K GU5.3 <sup>1)</sup>		

<sup>1)</sup> All technical parameters apply to the entire lamp/Due to the complex production process for light-emitting diodes, the typical values shown for the technical LED parameters are purely statistical values that do not necessarily match the actual technical parameters of each individual product, which can vary from the typical value

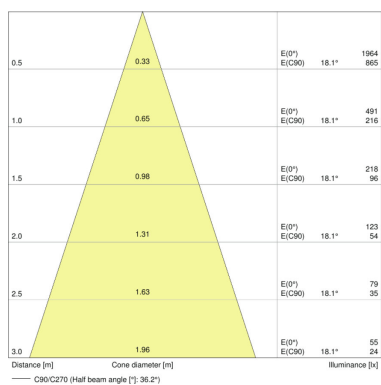


P MR16 20 36° 3.4 W/2700K GU5.3, P  
MR16 20 36° 3.4 W/3000K GU5.3, P  
MR16 20 36° 3.4 W/4000K GU5.3, P  
MR16 35 36° 5 W/2700K GU5.3, P MR16  
35 36° 5 W/3000K GU5.3, P MR16 35  
36° 5 W/4000K GU5.3

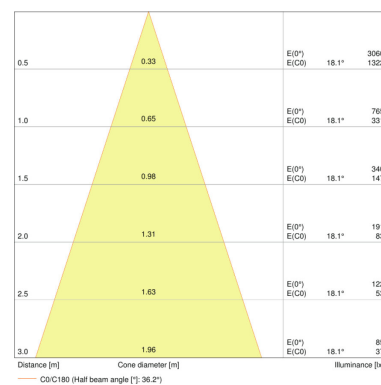
P MR16 50 36° 7.8 W/2700K GU5.3, P  
MR16 50 36° 7.8 W/3000K GU5.3, P  
MR16 50 36° 7.8 W/4000K GU5.3

P MR16 20 36° 3.4 W/2700K GU5.3

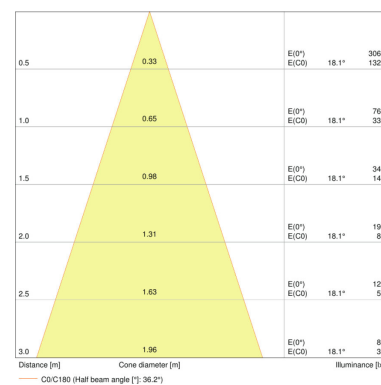
P MR16 20 36° 3.4 W/3000K GU5.3



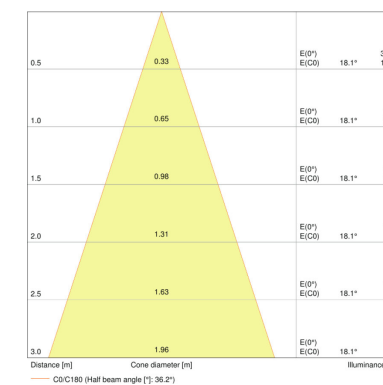
P MR16 20 36° 3.4 W/4000K GU5.3



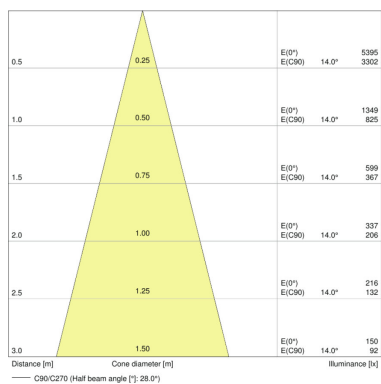
P MR16 35 36° 5 W/2700K GU5.3



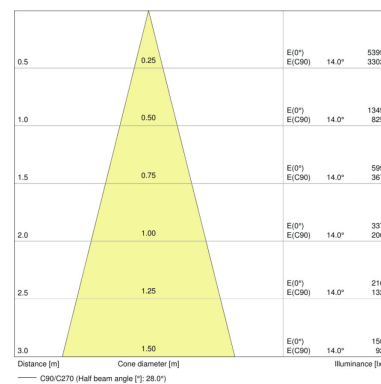
P MR16 35 36° 5 W/3000K GU5.3



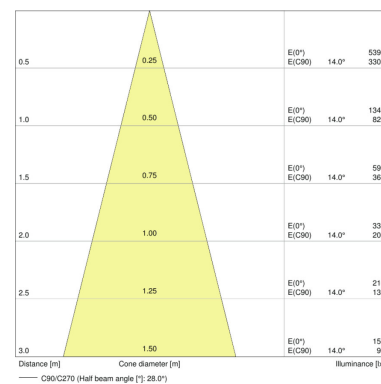
P MR16 35 36° 5 W/4000K GU5.3



P MR16 50 36° 7.8 W/2700K GU5.3



P MR16 50 36° 7.8 W/3000K GU5.3



P MR16 50 36° 7.8 W/4000K GU5.3

## APPLICATION ADVICE

For more detailed application information and graphics please see product datasheet.

## LOGISTICAL DATA

Product code	Packaging unit (Pieces/Unit)	Dimensions (length x width x height)	Gross weight	Volume
4058075094888	Shipping carton box 10	257 mm x 110 mm x 70 mm	498.00 g	1.98 dm <sup>3</sup>
4058075094864	Shipping carton box 10	257 mm x 110 mm x 70 mm	498.00 g	1.98 dm <sup>3</sup>
4058075094840	Shipping carton box 10	257 mm x 110 mm x 70 mm	498.00 g	1.98 dm <sup>3</sup>
4058075094963	Shipping carton box 10	257 mm x 110 mm x 70 mm	498.00 g	1.98 dm <sup>3</sup>
4058075094949	Shipping carton box 10	257 mm x 110 mm x 70 mm	498.00 g	1.98 dm <sup>3</sup>
4058075094901	Shipping carton box 10	257 mm x 110 mm x 70 mm	498.00 g	1.98 dm <sup>3</sup>
4058075095137	Shipping carton box 10	255 mm x 107 mm x 72 mm	780.00 g	1.96 dm <sup>3</sup>
4058075095113	Shipping carton box 10	255 mm x 107 mm x 72 mm	780.00 g	1.96 dm <sup>3</sup>
4058075095090	Shipping carton box 10	255 mm x 107 mm x 72 mm	780.00 g	1.96 dm <sup>3</sup>

The mentioned product code describes the smallest quantity unit which can be ordered. One shipping unit can contain one or more single products. When placing an order, for the quantity please enter single or multiples of a shipping unit.

## REFERENCES / LINKS

For dimming conformity see

▶ [www.ledvance.com/dim](http://www.ledvance.com/dim)

For further products and actual information concerning LED lamps see

▶ [www.ledvance.com/ledlamps](http://www.ledvance.com/ledlamps)

For Guarantee see

▶ [www.ledvance.com/guarantee](http://www.ledvance.com/guarantee)

Further information see

▶ [www.ledvance.com/low-voltage-ledlamps](http://www.ledvance.com/low-voltage-ledlamps)

---

#### DISCLAIMER

Subject to change without notice. Errors and omission excepted. Always make sure to use the most recent release.