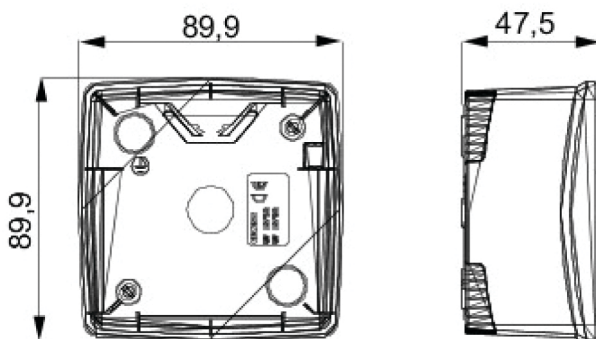




A range of free-standing, wall-mounting and empty self-supporting boxes, suitable to mount the Chorus modular devices. The free-standing and the wall-mounting boxes, available in white and black colors, have to be completed with Chorus frame supports and One plates. The self-supporting boxes, made in grey RAL 7035, are available with IP40 and IP55 degree of protection: both are arranged with removable knockouts, furthermore the watertight version is provided with a UV-resistant transparent membrane. Boxes and self-supporting enclosures are arranged for fixing the earth terminal.

Description	2 gang	Colour	Black
Characteristics	Halogen free	Support	GW16822
Suitable for plates	ONE International	Torque screws tightening	0.8 NM
Outer dim. LxHxD (mm)	90x90x46	Glow wire test	650 °C
Thermo-pressure with ball	70 °C	Standard	EN 60670-1
Installation temperature	-5 +60 °C	Electrocod	0110

### DIMENSIONAL



### TECHNICAL SYMBOLOGY



GWT

650 °C



70 °C

INSTALLATION



### STANDARDS/APPROVALS

