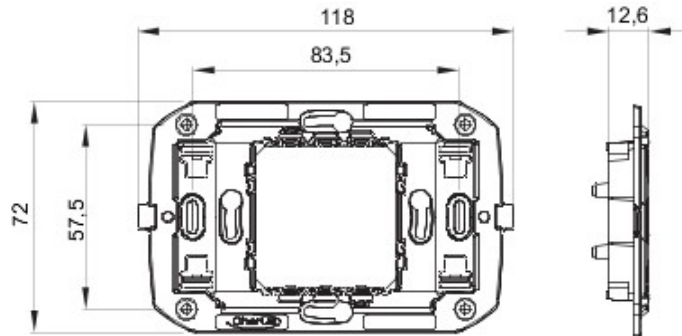


Frame supports for the fixing of the Chorus modular devices, made in technopolymer and characterized by ribs that reinforce the structure and ensure high performances. The range includes versions for the mounting with plates for rectangular boxes and capacity up to 12 modules, versions for the mounting with international plates for round/square boxes and versions for DIN rail mounting. They fit in flush-mounting or wall-mounting boxes and are equipped with fixing system based on screws or clutches. The practical way of assembly/release from the front of the frame supports of the Chorus modular devices also allows to mount devices with modularity of 1/2, 1, 2 and 3 modules.

Description	2 gang	Characteristics	Halogen free
Fixing	2 screws (included)	For box	3 modules
Glow wire test	650 °C	Thermo-pressure with ball	70 °C
Standard	EN 60669-1	Electrocod	0121

DIMENSIONAL



TECHNICAL SYMBOLOGY



GWT

650 °C



70 °C

STANDARDS/APPROVALS



GEWISS S.p.A. Via A. Volta, 1
24069 Cenate Sotto - Bergamo - Italy
tel. +39 035 94 61 11 fax +39 035 94 69 09

www.gewiss.com
sat@gewiss.com
Last update 27/06/2019

Data, measures, designs and pictures are shown only as informativ purposes, and could be changed without previous notice