

FIXING METHODS FOR GREEN WALL PRODUCTS

Articles	On metal frame	On sheet	On masonry wall
Enclosures and distribution boards	✓		
Junction boxes Boxes for interlocked socket-outlets 67IB and 44IB	✓	✓ (with tabs*)	✓
Boxes for domestic ranges - 3/4/6 gangs Boxes for round domestic ranges - 2 and 2+2 gangs		✓ (with clamps)	
Box for domestic ranges - 8 gangs (4+4) **	✓	✓ (with tabs*)	
Box for Master and Vision Master	✓	✓ (with tabs*)	

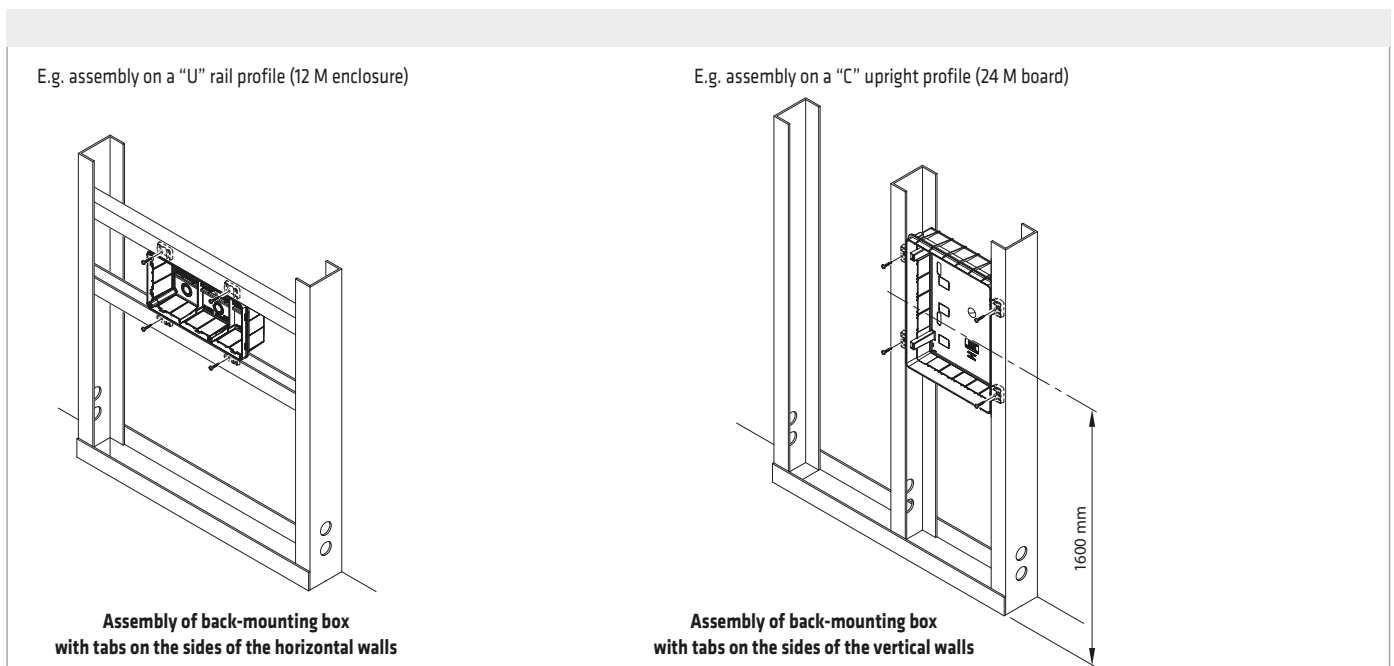
* Tabs on the sides of the horizontal walls. Boards (24, 36, 54, 72 modules) and box for interlocked socket-outlets (67 IB) equipped with fixing tabs on the sides of the vertical walls.

** Can also be used for the installation of command panels and video entryphones.

Fixing on a metal frame

The products can be fixed on a metal frame in two ways: for products with tabs on the sides of the horizontal walls, use an extra horizontal frame; for products with tabs on the sides of the vertical walls, use vertical uprights.

The structure is created with the aid of special screws for use with plasterboard, then the back-mounting box is fixed to the frame by means of the tabs.

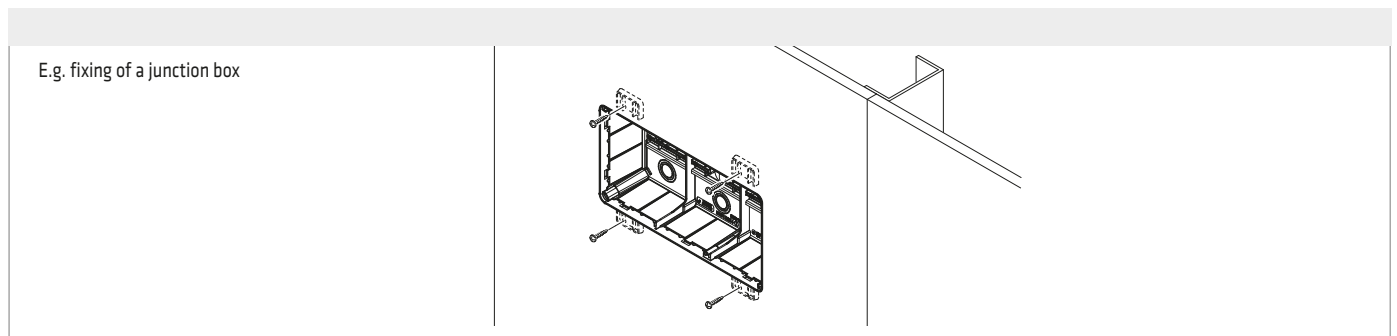


For technical information contact the Technical Assistance Service or visit gewiss.com

Fixing on plasterboard

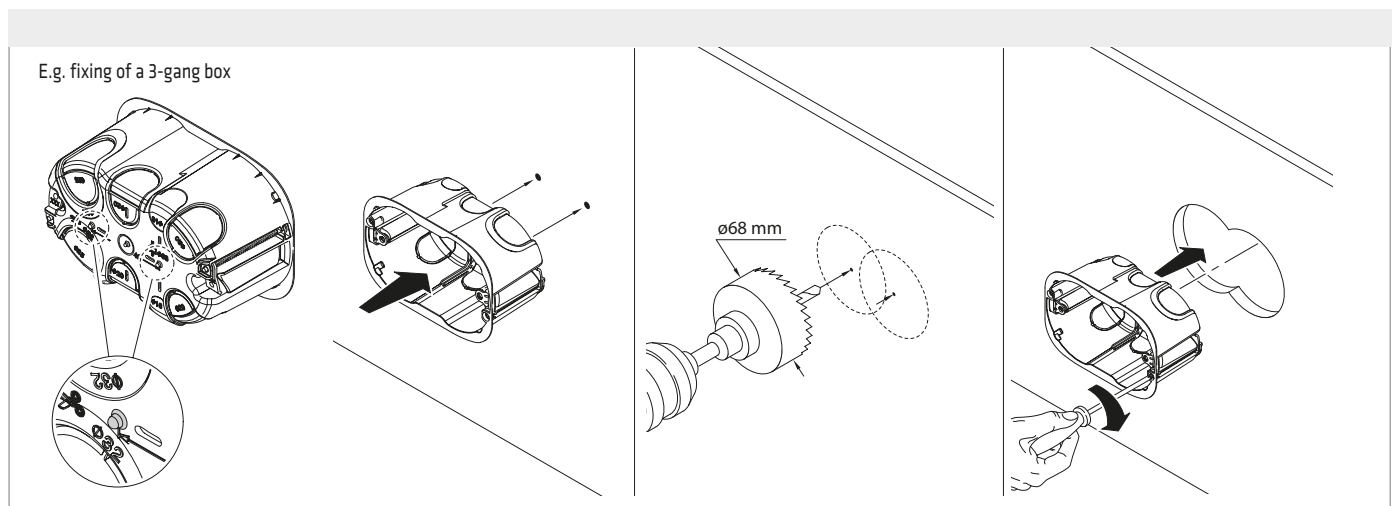
Method A: with tabs

The back-mounting box is fixed to the back of the sheet with the aid of the tabs, then anchored from the front of the sheet with special screws for use with plasterboard.



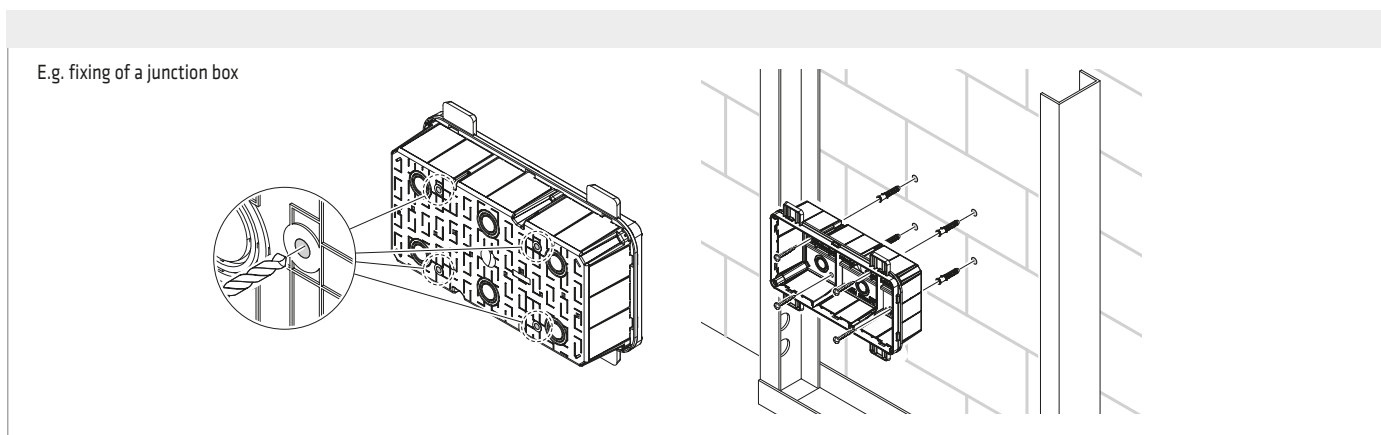
Method B: with clamps

The boxes for modular domestic ranges (3,4,6 gangs) and the round boxes can be fixed directly to walls (even double sheet walls) using the metal clamps. To prepare the sheet for the installation of the boxes, use a hollow mill $\varnothing 68$ (for rectangular boxes of 3,4,6 gangs) or a hollow mill $\varnothing 65$ (for round boxes), using the references on the boxes themselves.



Fixing on a masonry wall

The back-mounting boxes of the PT DIN GREEN WALL and CM GREEN WALL junction boxes and of the boxes for interlocked switched socket-outlets are equipped with special reference points so they can be fixed to masonry walls with the aid of wall plugs.



40 CDKi GREEN WALL - MODULAR PROTECTED ENCLOSURES AND DISTRIBUTION BOARDS - IP40

TECHNICAL CHARACTERISTICS

Regulation: IEC EN 606070-1 (CEI 23-48); IEC EN 60670-24 (CEI 23-49) (*).
 Suitable for assemblies in compliance with IEC EN 61439-1 and IEC EN 61439-3
 Degree of protection: IP 40 (even with open door)
 Protection against indirect contacts: double insulation - □ (•)
 Installation temperature: max. +60°C, min. -15°C
 Rated voltage: 400V
 Rated insulation voltage: 750V
 Rated current: 125A

Material: GW PLAST technopolymer, halogen-free in accordance with EN 60754-2 (CEI EN 50267-2-2)
 Impact resistance: IK 08
 Heat resistance: thermo-pressure with ball 70°C
 Resistance to abnormal heat and fire: Glow wire test 850°C
 Installation: for mobile and plasterboard walls
 Use: Indoor

(•) Complete insulation, in accordance with Standard EN 61140.

Notes: H-type casing in compliance with EN60670-24, and Ha-type in compliance with IEC60670-24.

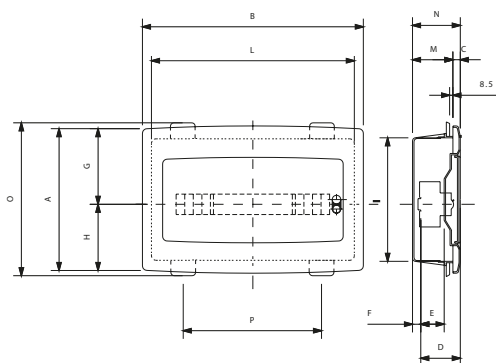
(*) Enclosure type: GP (CEI 23-51) and PD

BEHAVIOUR WITH CHEMICAL AND ATMOSPHERIC AGENTS

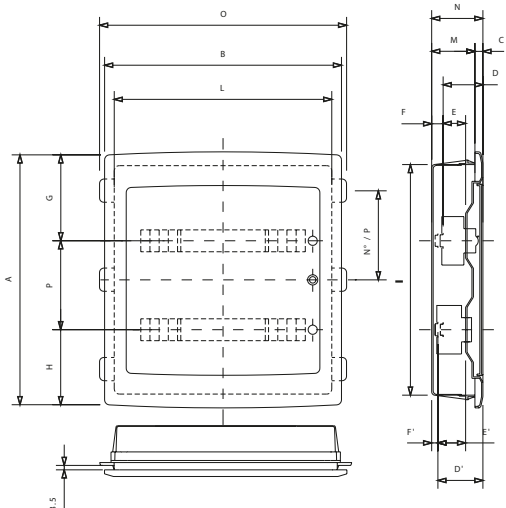
Saline solution	Acids		Bases		Solvents				Mineral oil	UV rays
	Concentrated	Diluted	Concentrated	Diluted	Hexane	Benzol	Acetone	Ethyl alcohol		
Resistant	Not resistant	Limited resistance	Not resistant	Limited resistance	Resistant	Not resistant	Not resistant	Limited resistance	Limited resistance	Limited resistance

Dimension tables

ENCLOSURES AND BOARDS



Code	Overall dimensions				Modular assembly					Fixing				
	A	B	C	N	D	E	F	G	H	I	L	M	O	P
12M GW40 605 PM	270	330	16	101	75	48	17	148	122	230	290	85	282	182



Code	Overall dimensions					Modular assembly							Fixing					
	A	B	C	N	E	F	G	H	P	D	D'	E'	F'	I	L	M	O	N°/P
24M GW 40 606 PM	420	330	16	101	48	17	148	122	150	75	-	-	-	380	290	85	350	1/258
36M GW 40 609 PM	505	465	16	101	48	17	175	155	175	75	101	74	11	465	427	85	485	2/175
54M GW 40 610 PM	680	465	25	120	48	37	175	155	175	75	101	74	11	630	415	95	485	2/227.5
72M GW40 611 PM	880	465	25	120	48	37	175	155	175	75	101	74	11	805	415	95	485	2/327.5

48 PT DIN GREEN WALL - JUNCTION, CONNECTION AND DOMOTIC BOX - IP40

TECHNICAL CHARACTERISTICS

Regulation: EN 60670-1; EN 60670-22; IEC 60670-24

Degree of protection: IP 40

Installation temperature: max. +60°C; min. -15°C

Material: GW PLAST technopolymer, halogen-free in accordance with CEI EN 60754-2 (CEI EN 50267-2-2)

Impact resistance: IK 07

Heat resistance: thermo-pressure with ball 70°C

Resistance to abnormal heat and fire: Glow wire test 850°C

Installation: for mobile and plasterboard walls

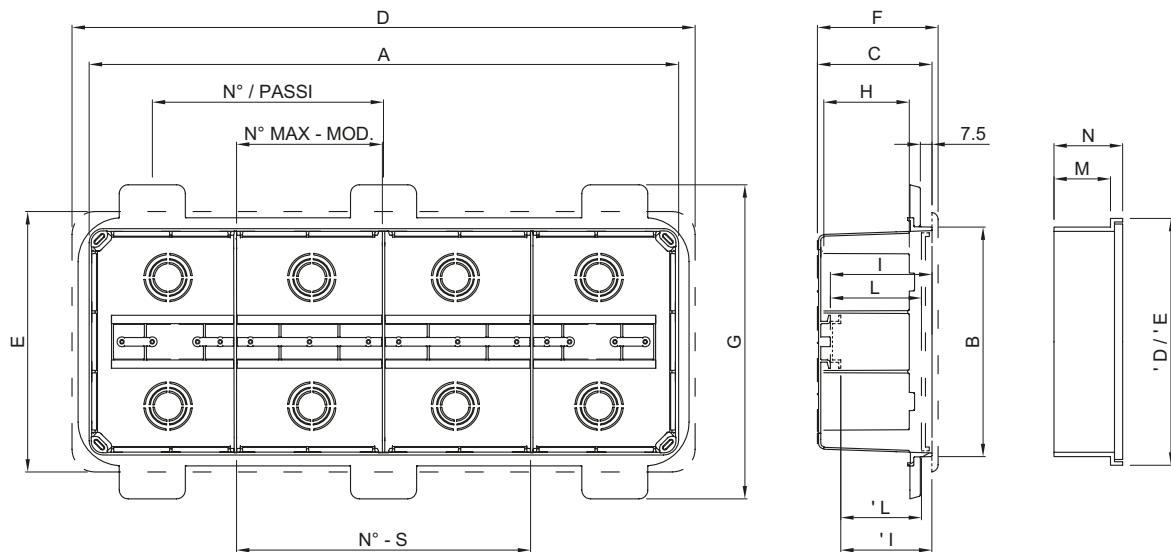
Notes: H-type casing in compliance with EN60670-22, and Ha-type in compliance with IEC60670-22.

BEHAVIOUR WITH CHEMICAL AND ATMOSPHERIC AGENTS

Agent	Saline solution	Acids		Bases		Solvents				Mineral oil	UV rays
		Concentrated	Diluted	Concentrated	Diluted	Hexane	Benzol	Acetone	Ethyl alcohol		
48 PT / PT DIN standard cover	Resistant	Not resistant	Not resistant	Limited resistance	Limited resistance	Not resistant	Not resistant	Not resistant	Limited resistance	Limited resistance	Limited resistance
Shockproof cover for 48 PT / PT DIN	Resistant	Not resistant	Limited resistance	Not resistant	Limited resistance	Resistant	Not resistant	Not resistant	Limited resistance	Limited resistance	Limited resistance

Dimension tables

JUNCTION BOXES



Codice	Modular boxes											Cover			Deep lid				Max Ø of conduit per sector	Max Ø of conduit in the back-mounting box	Pde max. power loss	
	A	B	C	G	H	N° / P	N° - S	MAX no./M	I	L	'I	'L	D	E	F	'D	'E	M				N
GW 48 006 PM GW 48 126 PM GW 48 086	196	152	75	207	57	1/100	2	4.5	69	61	62	53.5	222	178	79	214	170	49	56	Ø50	Ø32	11W
GW 48 007 PM GW 47 087	294	152	75	207	57	1/208	3	5	69	61	62	53.5	320	178	79	312	170	66	73	Ø50	Ø32	13W
GW 48 008 PM GW 48 088	392	152	75	207	57	2/153	4	5	70	63	63	55.5	418	178	80	410	170	66	73	Ø50	Ø32	17W
GW 48 009 PM	480	160	75	213	57	1/153 1/250	3	8	70	61	63	53.5	506	186	80.5	-	-	-	-	Ø50	Ø50	25W

For technical information contact the Technical Assistance Service or visit gewiss.com

48 CM GREEN WALL – HIGH-CAPACITY CONNECTION AND JUNCTION BOX - IP40

TECHNICAL CHARACTERISTICS

Regulation: EN 60670-1; EN 60670-22; IEC 60670-24;

Degree of protection: IP 40 (IP 44 spare covers)

Installation temperature: max. +60°C, min. -15°C

Material: GW PLAST technopolymer, halogen-free in accordance with EN 60754-2 (CEI EN 50267-2-2)

Impact resistance: IK 07 (IP40 box)

IK 10 (IP44 cover)

Heat resistance: thermo-pressure with ball 70°C

Resistance to abnormal heat and fire: Glow wire test 850°C

Installation: for mobile and plasterboard walls

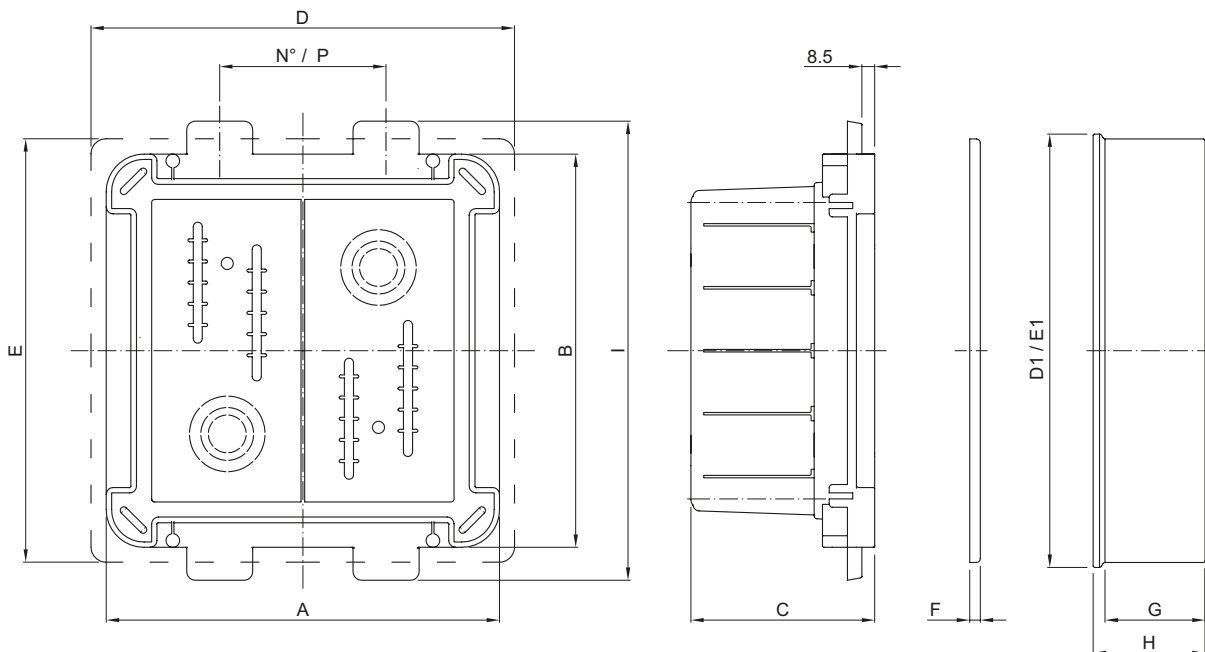
Notes: H-type casing in compliance with EN60670-22, and Ha-type in compliance with IEC60670-22.

BEHAVIOUR WITH CHEMICAL AND ATMOSPHERIC AGENTS

Saline solution	Acids		Bases		Solvents				Mineral oil	UV rays
	Concentrated	Diluted	Concentrated	Diluted	Hexane	Benzol	Acetone	Ethyl alcohol		
Resistant	Not resistant	Not resistant	Limited resistance	Limited resistance	Not resistant	Not resistant	Not resistant	Limited resistance	Limited resistance	Limited resistance

Dimension tables

HIGH-CAPACITY JUNCTION BOXES



	Box					Shallow lid			Deep lid			
	A	B	C	I	N° / P	D	E	F	D1	E1	G	H
GW 48 207 PM GW 48 247 GW 48 267	260	260	121.5	303.5	1/110	280	280	7	286	286	67	74
GW 48 211 PM GW 48 251 GW 48 271	520	260	121.5	303.5	2/193	540	280	7	286	286	67	74

24 SC GREEN WALL - FOR MODULAR RANGES, KNX DEVICES AND DIGITAL VISION

TECHNICAL CHARACTERISTICS

Regulation: IEC EN 60670-1 (CEI 23-48)

Degree of protection: IP 40

Installation temperature: max. +60°C, min. -15°C (min. -25°C for boxes with 3,4,6 gangs)

Material: GW PLAST technopolymer, halogen-free in accordance with EN 60754-2 (CEI EN 50267-2-2)

Impact resistance: IK 07

Heat resistance: thermo-pressure with ball 70°C

Resistance to abnormal heat and fire: Glow wire test 850°C

Installation: for mobile and plasterboard walls

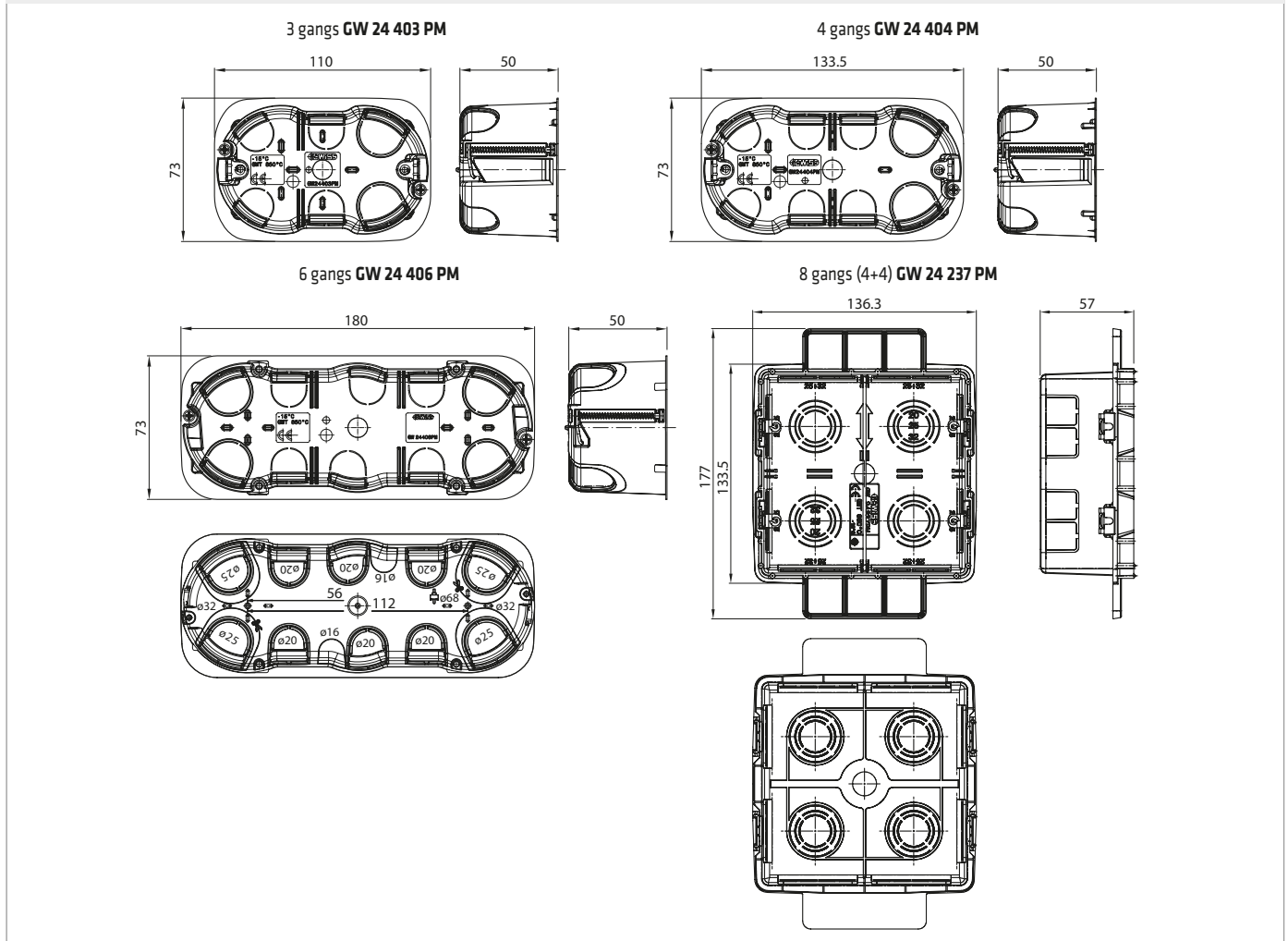
Notes: H-type casing in compliance with EN60670-1, and Ha-type in compliance with IEC60670-1.

BEHAVIOUR WITH CHEMICAL AND ATMOSPHERIC AGENTS

	Saline solution	Acids		Bases		Solvents				Mineral oil	UV rays
		Concentrated	Diluted	Concentrated	Diluted	Hexane	Benzol	Acetone	Ethyl alcohol		
Boxes with 3, 4 and 6 gangs	Resistant	Not resistant	Not resistant	Limited resistance	Limited resistance	Not resistant	Not resistant	Not resistant	Limited resistance	Limited resistance	Limited resistance
Round boxes	Resistant	Not resistant	Not resistant	Limited resistance	Limited resistance	Not resistant	Not resistant	Not resistant	Limited resistance	Limited resistance	Limited resistance
Boxes (with fixing tabs)	Resistant	Not resistant	Not resistant	Limited resistance	Limited resistance	Not resistant	Not resistant	Not resistant	Limited resistance	Limited resistance	Limited resistance

Dimension tables

BOXES FOR MODULAR RANGES, KNX DEVICES AND DIGITAL VISION

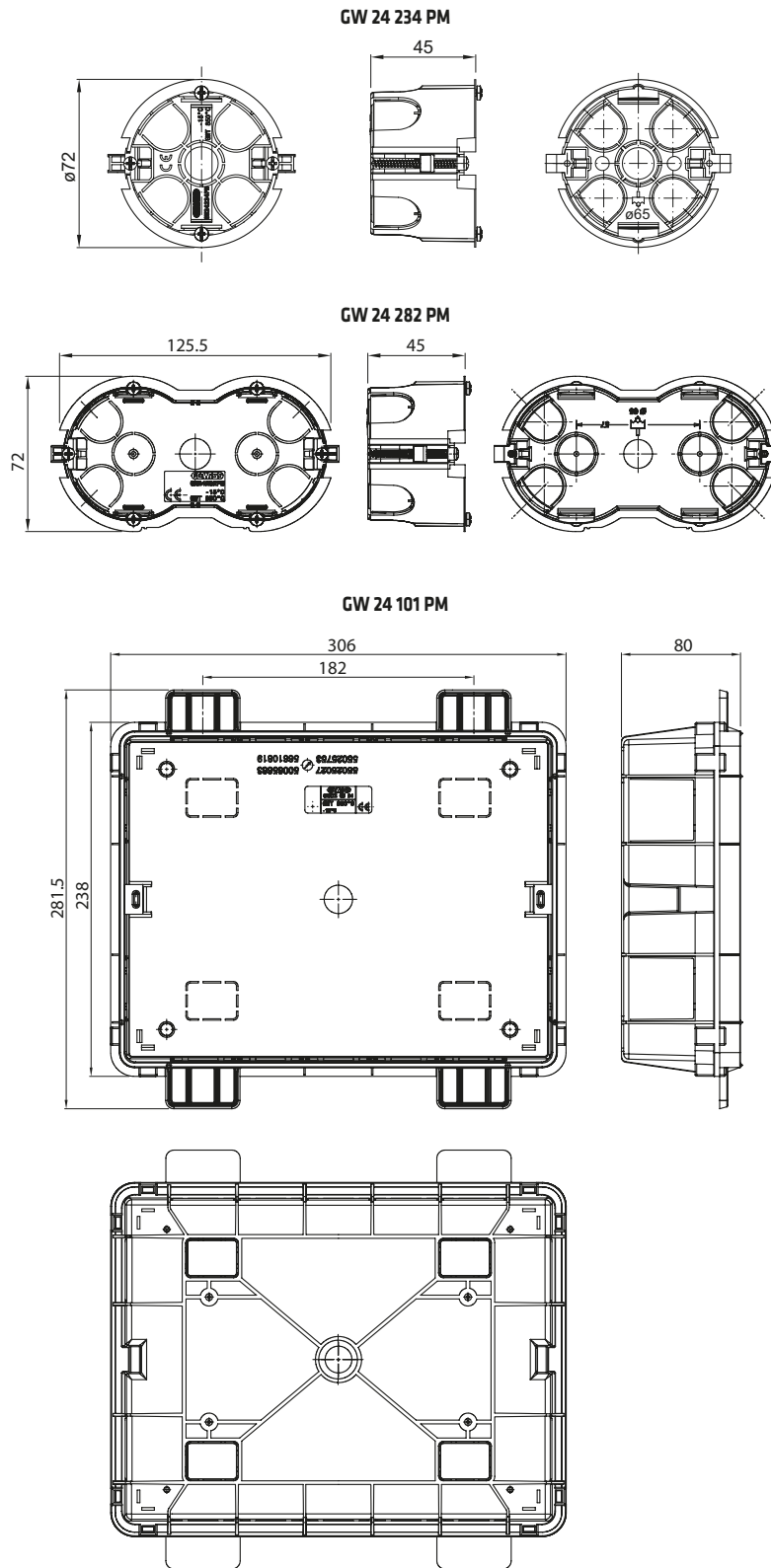


For technical information contact the Technical Assistance Service or visit gewiss.com

24 SC GREEN WALL – FOR MODULAR RANGES, KNX DEVICES AND DIGITAL VISION

Dimension tables

BOXES FOR MODULAR RANGES, KNX DEVICES AND DIGITAL VISION



FLUSH-MOUNTING BOXES FOR INTERLOCKED SWITCHED SOCKET-OUTLETS

TECHNICAL CHARACTERISTICS

Regulation: EN 60670-1 (CEI 23-48)

Impact resistance: IK07

Installation temperature: min -15°C, max. +60°C

Heat resistance: thermo-pressure with ball 70°C

Material: GwPlast technopolymer, Halogen Free according to EN 60754-2 (CEI EN 50267-2-2)

Resistance to abnormal heat and fire: Glow wire test 850°C

Notes: H-type casing in compliance with EN60670-1, and Ha-type in compliance with IEC60670-1.

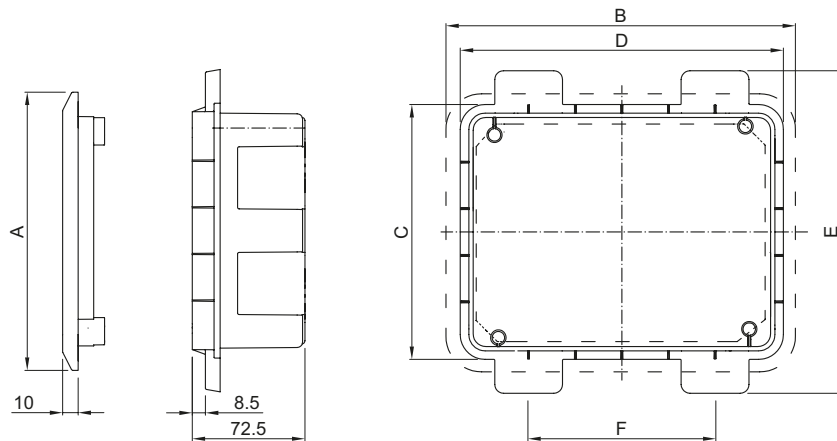
BEHAVIOUR WITH CHEMICAL AND ATMOSPHERIC AGENTS

Saline solution	Acids		Bases		Solvents				Mineral oil	UV rays
	Concentrated	Diluted	Concentrated	Diluted	Hexane	Benzol	Acetone	Ethyl alcohol		
Resistant	Not resistant	Not resistant	Limited resistance	Limited resistance	Not resistant	Not resistant	Not resistant	Limited resistance	Limited resistance	Limited resistance

Dimension tables

FLUSH-MOUNTING BOXES FOR INTERLOCKED SWITCHED SOCKET-OUTLETS

GW 66 681 PM - GW 66 682 PM



Code	A	B	C	D	E	F
SBF GW 66 681 PM	141	184	130	170	174	-
CBF GW 66 682 PM	179	225	164	208	208	120

GW 66 683 PM

