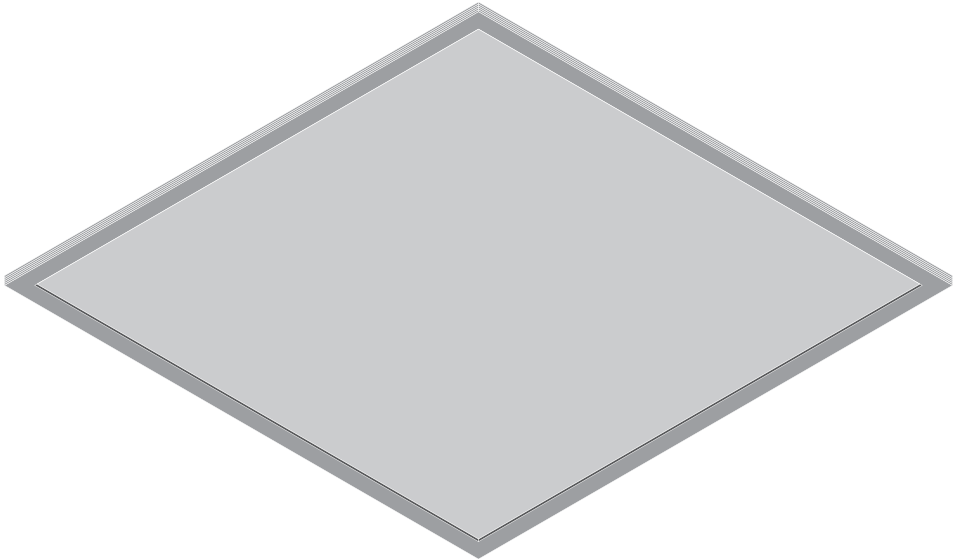


---

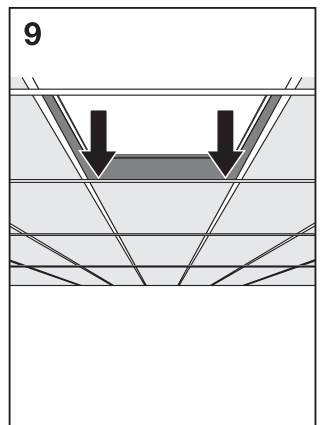
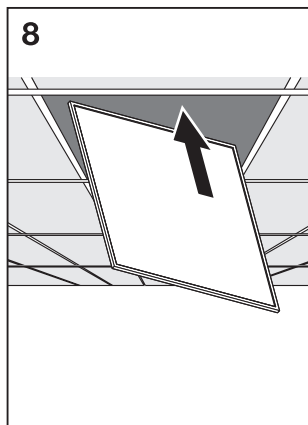
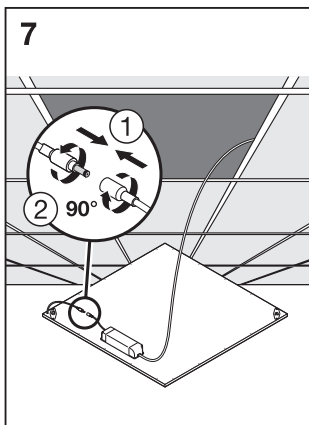
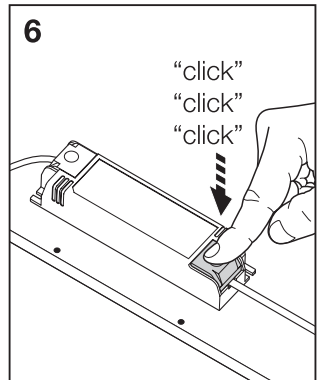
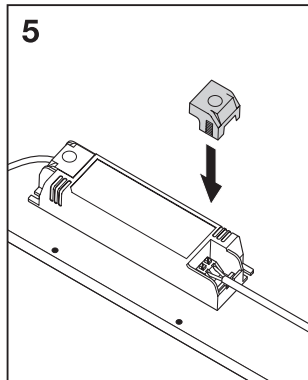
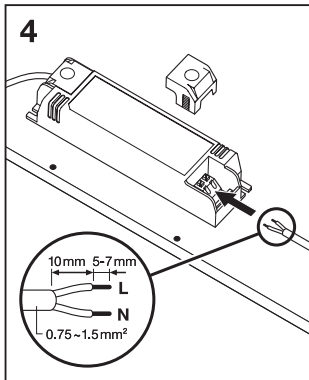
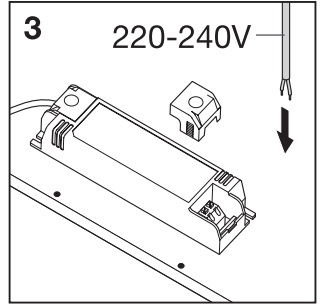
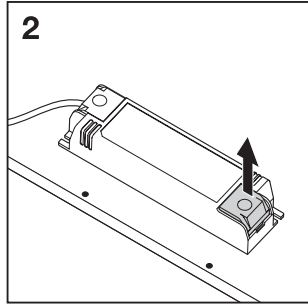
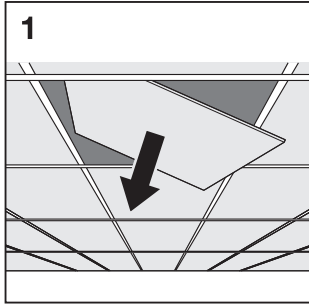
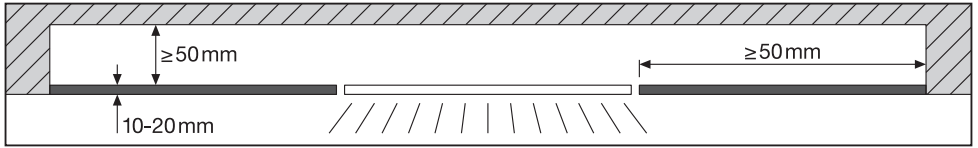
## PANELLED VALUE

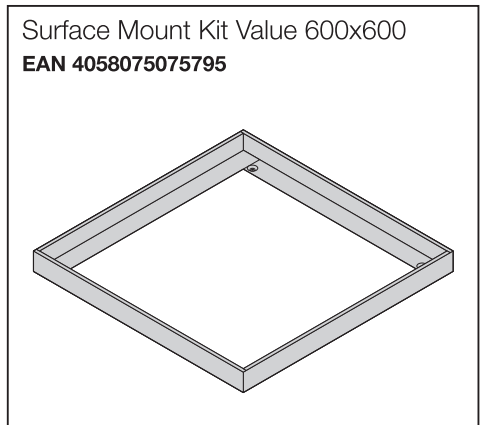
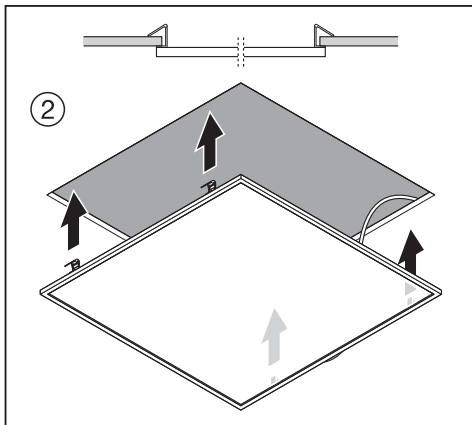
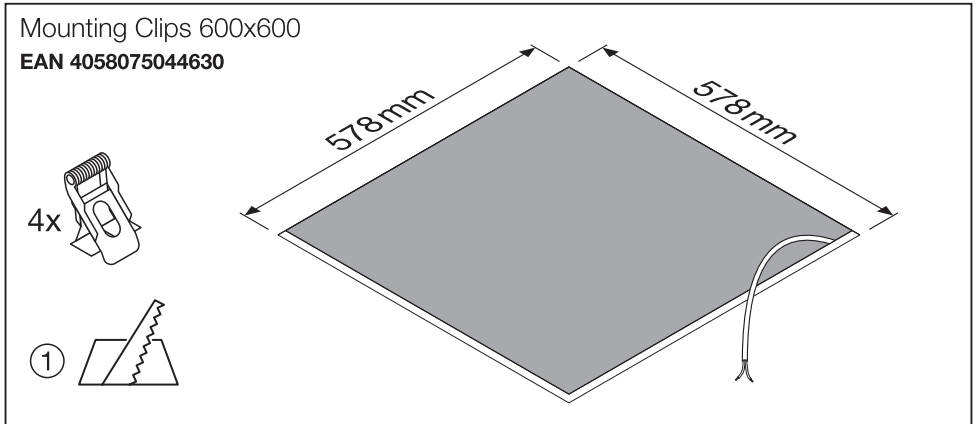
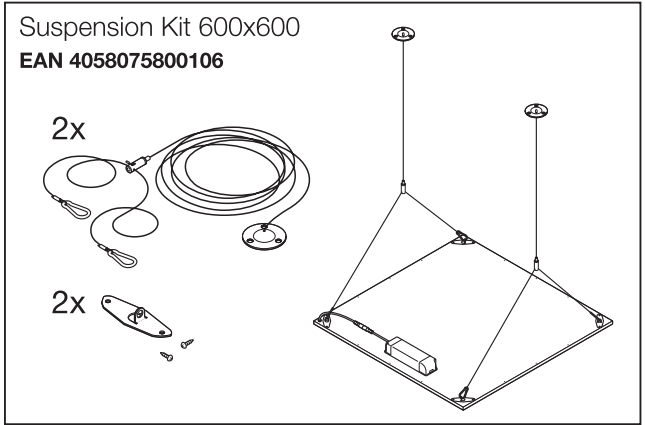
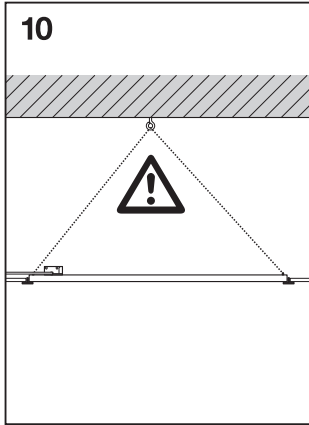
---

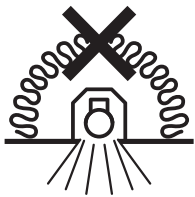


	EAN	l x w x h [mm]	W	lm	lm/W	K	IP	IK
PANELLED VALUE 600 40W/3000K	4058075066588	595 x 595 x 9	40	3300	85	3000	20	03
PANELLED VALUE 600 40W/4000K	4058075066601	595 x 595 x 9	40	3600	90	4000	20	03
PANELLED VALUE 600 40W/6500K	4058075066625	595 x 595 x 9	40	3600	90	6500	20	03
PANELLED VALUE 600 40W/3000K UGR<19	4058075066649	595 x 595 x 9	40	3300	85	3000	20	03
PANELLED VALUE 600 40W/4000K UGR<19	4058075066663	595 x 595 x 9	40	3600	90	4000	20	03

	EAN	°C	V <sub>AC</sub>	Hz	∠	PF	R <sub>a</sub>	⚙️
PANELLED VALUE 600 40W/3000K	4058075066588	-10...+45	220-240V	50/60 Hz	120°	> 0.9	≥ 80	2.0 kg
PANELLED VALUE 600 40W/4000K	4058075066601	-10...+45	220-240V	50/60 Hz	120°	> 0.9	≥ 80	2.0 kg
PANELLED VALUE 600 40W/6500K	4058075066625	-10...+45	220-240V	50/60 Hz	120°	> 0.9	≥ 80	2.0 kg
PANELLED VALUE 600 40W/3000K UGR<19	4058075066649	-10...+45	220-240V	50/60 Hz	90°	> 0.9	≥ 80	2.1 kg
PANELLED VALUE 600 40W/4000K UGR<19	4058075066663	-10...+45	220-240V	50/60 Hz	90°	> 0.9	≥ 80	2.1 kg







CE



RoHS

EAC



C10449057  
G11036330  
22.01.18



LEDVANCE GmbH  
Steinerne Furt 62  
86167 Augsburg, Germany  
[www.ledvance.com](http://www.ledvance.com)