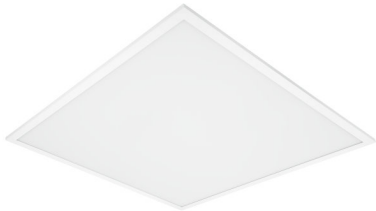


PRODUCT FAMILY DATASHEET

PANEL VALUE 600

Square recessed panel luminaires, 600 x 600 mm



AREAS OF APPLICATION

- Direct replacement for luminaires with fluorescent lamps
- Corridors
- Offices
- Conference rooms
- Reception areas
- Foyers
- Elevators
- Suitable for recessed ceiling systems with grid size of 600 x 600 mm

PRODUCT BENEFITS

- Value for money luminaire
- Light guide plate with micro structure made of non-yellowing material for long lifetime
- Low flicker light thanks to special electronic control gear
- External driver for extended flexibility

PRODUCT FEATURES

- Lifetime (L70/B50): up to 50,000 h (at 25 °C)
- Die-cast aluminum housing
- Polystyrene diffuser (TP(B) rated)



TECHNICAL DATA

Product description	Electrical data	Luminaire control gear data					Max. no. of lum. on circuit break. B16 A	Max. no. of lum. on circuit break. C10 A
	Nominal wattage	ECG - Output voltage	Ouput current	ECG - Output ripple current	Flicker-free			
PANEL VALUE 600 40 W 3000 K WT	40.00 W	30...42 V	1000 mA	<5 %	Yes	22	19	
PANEL VALUE 600 40 W 4000 K WT	40.00 W	30...42 V	1000 mA	<5 %	Yes	22	19	
PANEL VALUE 600 40 W 6500 K WT	40.00 W	30...42 V	1000 mA	<5 %	Yes	22	19	

Product description	Max. no. of lum. on circuit break. C16 A	Photometrical data	Light technical data	Dimensions & weight			Colors & materials		Temperatures & operating conditions	
		Luminous flux	Beam angle	Length	Width	Height	Product weight	Housing color	Product color	Ambient temperature range
PANEL VALUE 600 40 W 3000 K WT	30	3300 lm	120 °	595.0 mm	595.0 mm	9.0 mm	1990.00 g	White	White	-10...+45 °C
PANEL VALUE 600 40 W 4000 K WT	30	3600 lm	120 °	595.0 mm	595.0 mm	9.0 mm	1990.00 g	White	White	-10...+45 °C
PANEL VALUE 600 40 W 6500 K WT	30	3600 lm	120 °	595.0 mm	595.0 mm	9.0 mm	1990.00 g	White	White	-10...+45 °C

Product description	Lifespan			Additional product data		
	Number of switching cycles	Lifespan L70/B50 at 25 °C	Lifespan L80/B10 at 25 °C	Lifespan L90/B10 at 25 °C	Mounting type	Mounting location
PANEL VALUE 600 40 W 3000 K WT	30000	50000 h	40000 h	30000 h	Recessed/Suspended/Surface	Ceiling / Wall
PANEL VALUE 600 40 W 4000 K WT	30000	50000 h	40000 h	30000 h	Recessed/Suspended/Surface	Ceiling / Wall
PANEL VALUE 600 40 W 6500 K WT	30000	50000 h	40000 h	30000 h	Recessed/Suspended/Surface	Ceiling / Wall

Product description	Capabilities
	Dimmable
PANEL VALUE 600 40 W 3000 K WT	No
PANEL VALUE 600 40 W 4000 K WT	No

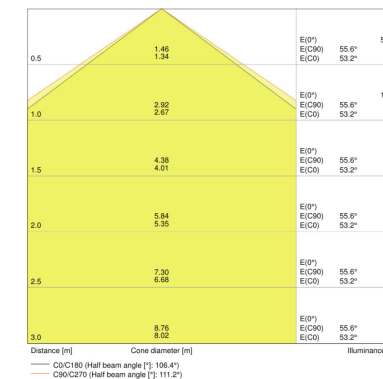
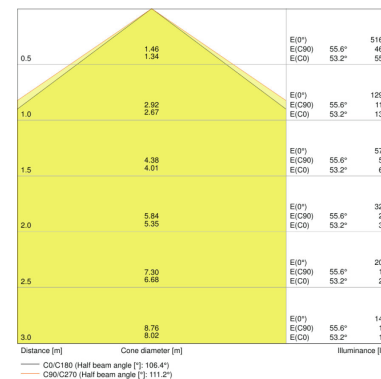
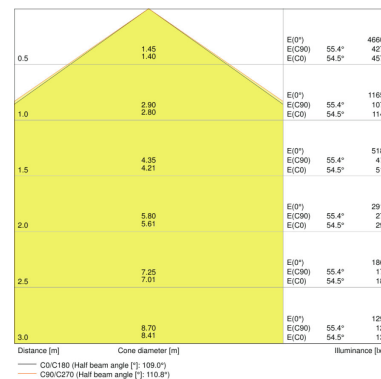
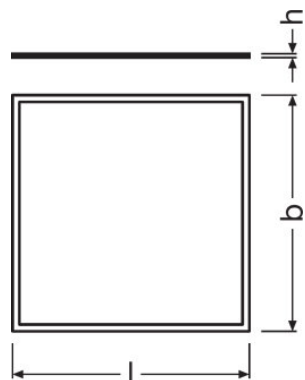
Capabilities

Product description

Dimmable

PANEL VALUE 600 40 W 6500 K WT

No



- PANEL VALUE 600 40 W 3000 K WT,
PANEL VALUE 600 40 W 4000 K WT,
PANEL VALUE 600 40 W 6500 K WT

PANEL VALUE 600 40 W 3000 K WT

PANEL VALUE 600 40 W 4000 K WT

PANEL VALUE 600 40 W 6500 K WT

EQUIPMENT / ACCESSORIES

- Accessories for several mounting options available
- External control gear included

APPLICATION ADVICE

For more detailed application information and graphics please see product datasheet.

LOGISTICAL DATA

Product code	Packaging unit (Pieces/Unit)	Dimensions (length x width x height)	Gross weight	Volume
4058075066595	Shipping carton box 4	657 mm x 211 mm x 688 mm	12420.00 g	95.38 dm ³
4058075066618	Shipping carton box 4	657 mm x 211 mm x 688 mm	12420.00 g	95.38 dm ³
4058075066632	Shipping carton box 4	657 mm x 211 mm x 688 mm	12420.00 g	95.38 dm ³

The mentioned product code describes the smallest quantity unit which can be ordered. One shipping unit can contain one or more single products. When placing an order, for the quantity please enter single or multiples of a shipping unit.

REFERENCES / LINKS

For Guarantee see

▶ www.ledvance.com/guarantee

DISCLAIMER

Subject to change without notice. Errors and omission excepted. Always make sure to use the most recent release.