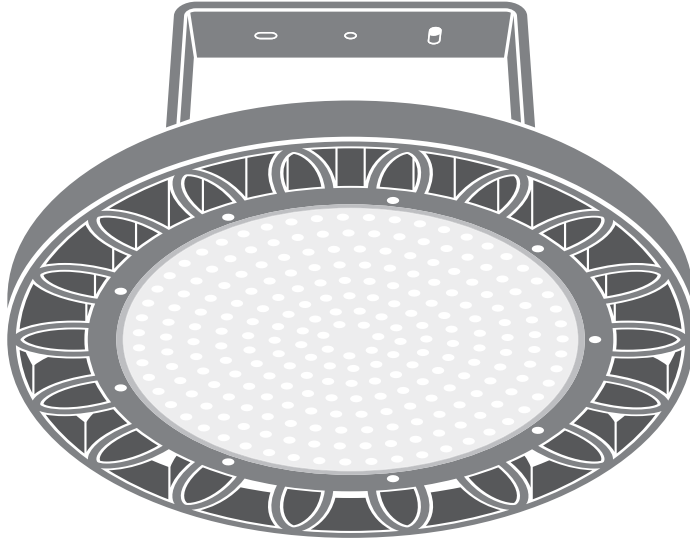
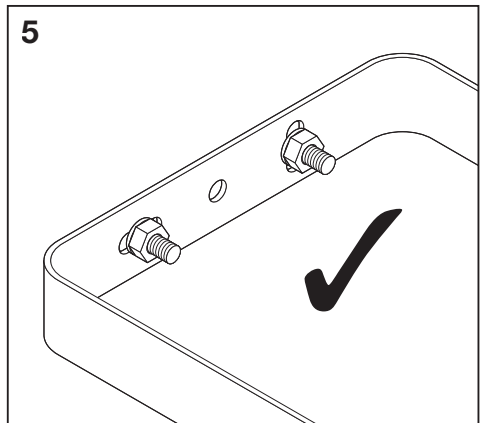
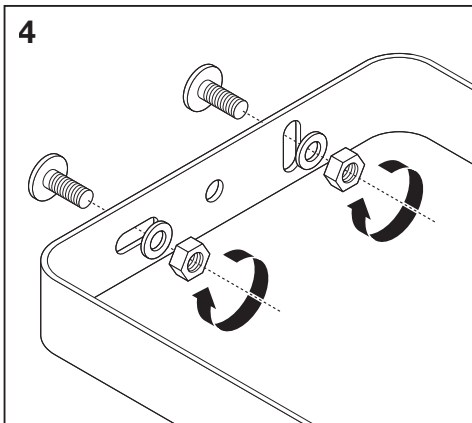
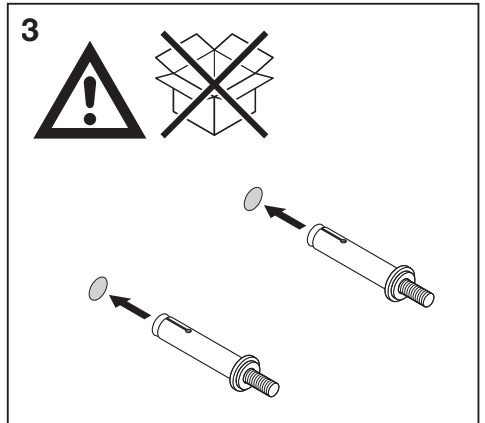
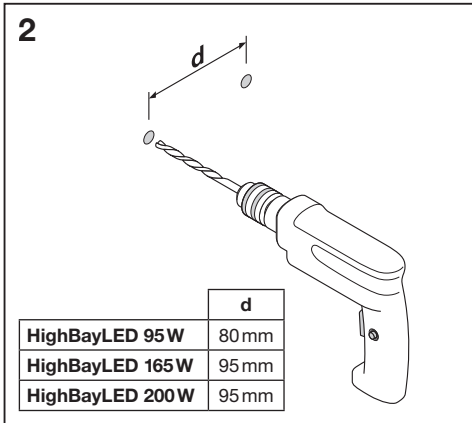
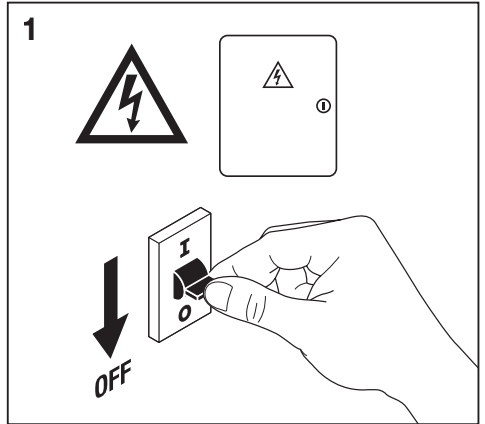
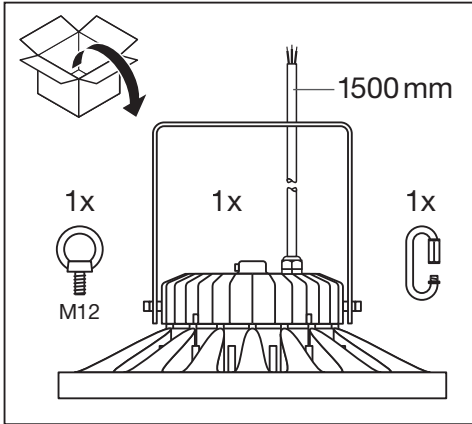


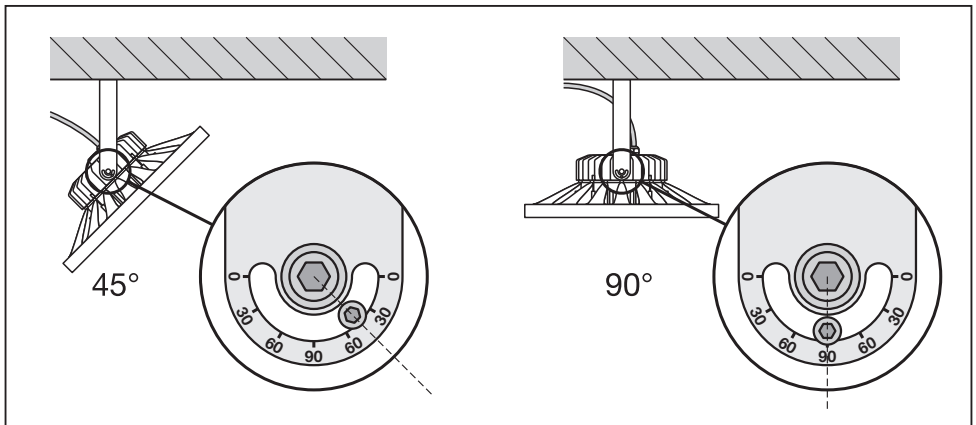
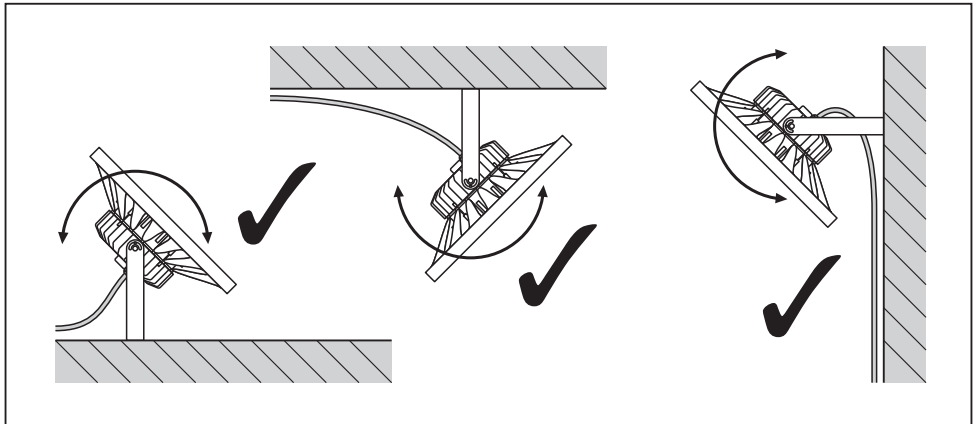
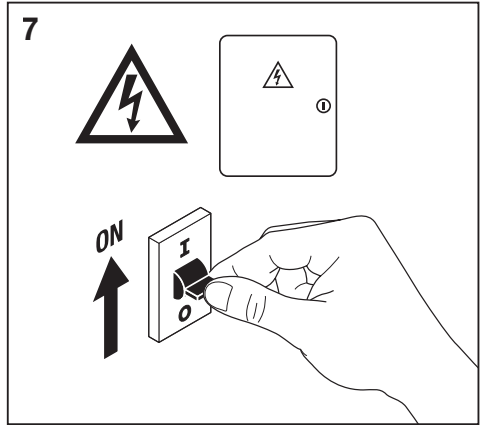
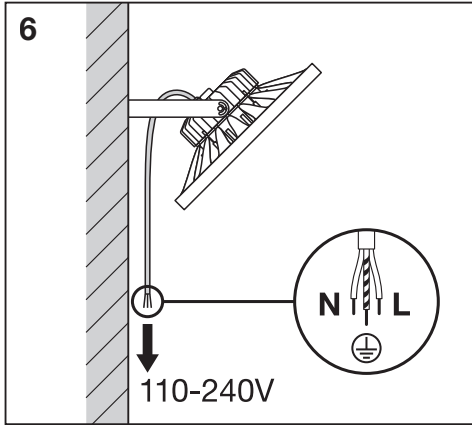
## HIGHBAY LED

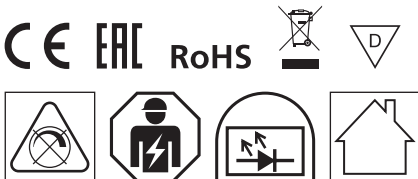
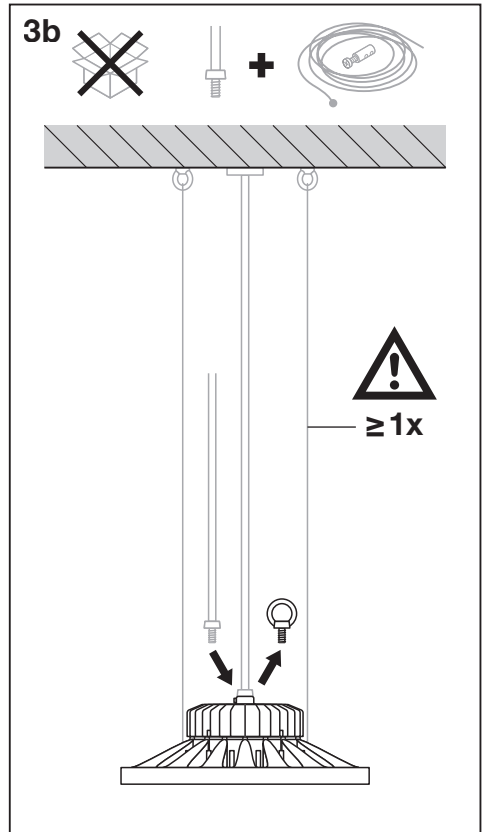
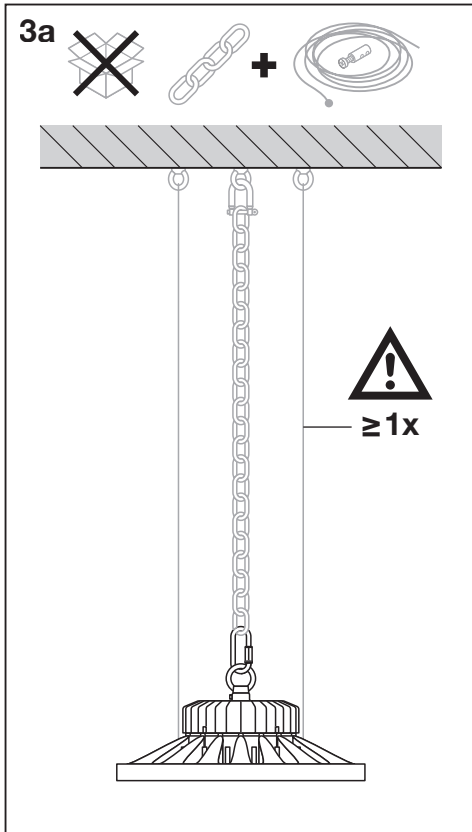
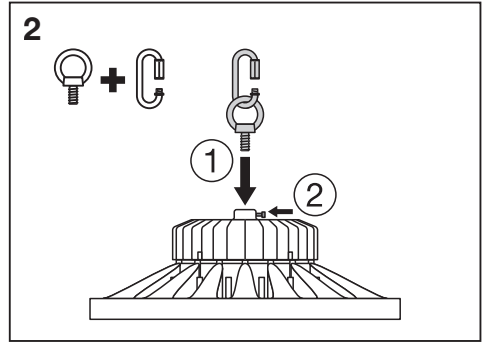
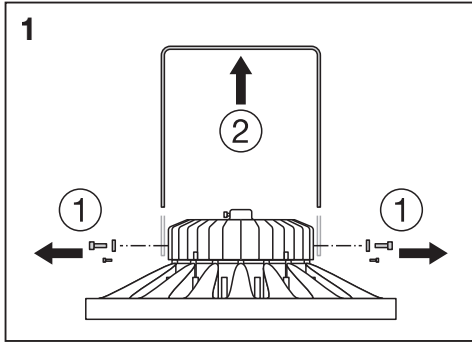


	EAN	Ø x h [mm]	W	lm	lm/W	I [mA]	K	IP	IK
HighBayLED 95W/4000K 90DEG IP65	4058075074330	285 x 129.5	95	13000	135	440	4000	65	08
HighBayLED 95W/6500K 90DEG IP65	4058075074347	285 x 129.5	95	13000	135	440	6500	65	08
HighBayLED 95W/4000K 110DEG IP65	4058075074354	285 x 129.5	95	13000	135	440	4000	65	08
HighBayLED 165W/4000K 70DEG IP65	4058075074361	376 x 139	165	22000	135	730	4000	65	08
HighBayLED 165W/6500K 70DEG IP65	4058075074378	376 x 139	165	22000	135	730	6500	65	08
HighBayLED 200W/4000K 110DEG IP65	4058075074385	376 x 139	200	27000	135	900	4000	65	08

	EAN	°C	V <sub>AC</sub>	Hz	∇	PF	R <sub>a</sub>	⚙
HighBayLED 95W/4000K 90DEG IP65	4058075074330	-30 ... +50	100-240V	50/60 Hz	90°	> 0.9	>80	3.1 kg
HighBayLED 95W/6500K 90DEG IP65	4058075074347	-30 ... +50	100-240V	50/60 Hz	90°	> 0.9	>80	3.1 kg
HighBayLED 95W/4000K 110DEG IP65	4058075074354	-30 ... +50	100-240V	50/60 Hz	110°	> 0.9	>80	3.1 kg
HighBayLED 165W/4000K 70DEG IP65	4058075074361	-30 ... +50	100-240V	50/60 Hz	70°	> 0.9	>80	4.4 kg
HighBayLED 165W/6500K 70DEG IP65	4058075074378	-30 ... +50	100-240V	50/60 Hz	70°	> 0.9	>80	4.4 kg
HighBayLED 200W/4000K 110DEG IP65	4058075074385	-30 ... +50	100-240V	50/60 Hz	110°	> 0.9	>80	4.5 kg







C10449057  
G11066216  
17.01.19



LEDVANCE GmbH  
Steinerne Furt 62  
86167 Augsburg, Germany  
[www.ledvance.com](http://www.ledvance.com)