



BOMA LED 4000LM

Design: Enrico Davide Bona and Elisa Nobile



Product code

453-160-09
453-160-08
453-160-52

Colour

Black, on demand
Mat white
Silver, on demand

General Specifications

Gear tray	: Extruded aluminium
Product type	: Spotlights
Mounting type	: LKM 3-phase track
Description	: The fittings can be applied to 3-phase tracks LKM, through a joint mechanism that allows them to be and justed in variable positions, according to an innovative double rotation. Closing caps in nylon, reinforced with fiberglass 30%, liquid painted.

Indoor/outdoor lights	: Indoor
Applications	: Communities, Offices

Lighting specifications

Lamp description	: LED 4000lm 30W 3000K
Nominal lumens on thermal regime	: 4000
Efficiency L.O.R. (%)	: 75,0
Lamp wattage (W)	: 30
Color temperature (K)	: 3000

Physical Specifications

Body	: Extruded aluminium
Finishes	: Polyester painted
Diffuser	: Opal polycarbonate
Screws	: Steel

Electrical Specifications

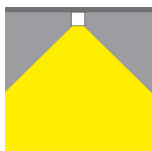
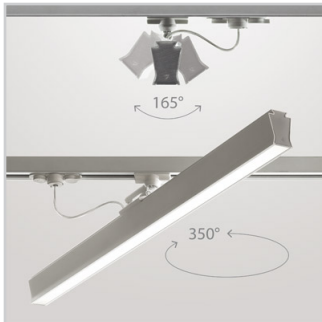
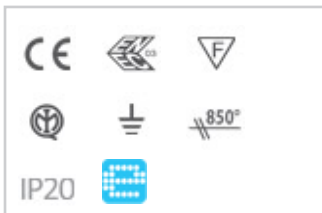
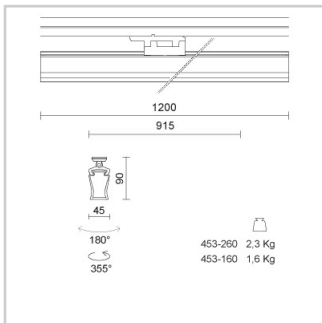
Glow wire (°C)	: 850
Driver	: Included
Driver mounting	: Integrated
Driver type	: Electronic
Voltage (V)	: 230/240
Frequency (Hz)	: 50/60


Weight and Dimensions

Shape	: Rectangular
Length (mm)	: 915
Width (mm)	: 45
Height (mm)	: 90
Weight (Kg)	: 1.6

Optical Specifications

Aiming	: Adjustable
Light distribution	: Symmetric
Light emission	: Direct
Light beam	: 110°
Horizontal orientation	: 350°
Vertical tilt	: 165°



Lamps	Lamp categories	Lamp type	Lamp wattage (W)	Nominal lumens on thermal regime (lm)	Color rendering (CRI)
	LED	COB LED	30	4000	80

Pictures and Applications

