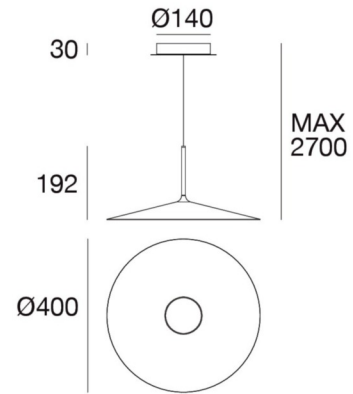


# Poe Plus



Pendant Luminaires | 220-240 V | topLED 15 W 350 mA | CRI 80  
8362



## Technical data

Type	Pendant Luminaires
Installation position	Ceiling
Installation environment	Indoor
Light Source	LED
Circuit structure	topLED
Optics	General Lighting
Light emission direction	downward
Power	15 W
Source lumens	1688 lm
Frequency	60 - 50 Hz
CCT / Tone	3000 K
Colour rendering index	80 Ra
AC / DC	AC
Safety class	1
IP	IP20
Glow wire test	850°
Direct mounting on normally flammable surfaces	No
CE	Yes
ETL	No
Fire Rated (BS 476 PT21 compliant)	No
Driver included	Driver
Induction	No
Emergency mode	No
Motion sensor	No
Directional	No
Tilting	No
Walk-over	No
Drive-over	No
Cable included	No
Resin potting	No
Type of light emission	Single emission
Electrostatic discharge protection	No
Surge protection	No

## Finishing casing

Material	Iron
Colour	copper
Processing	Coating

## Finishing diffuser

Material	UV Resistant Polycarbonate
Colour	opaline
Processing	Sandblasting

## Finishing mounting frame

Material	Iron
Colour	copper
Processing	Coating

Pendant Luminaires | 220-240 V | topLED 15 W 350 mA | CRI 80  
8362

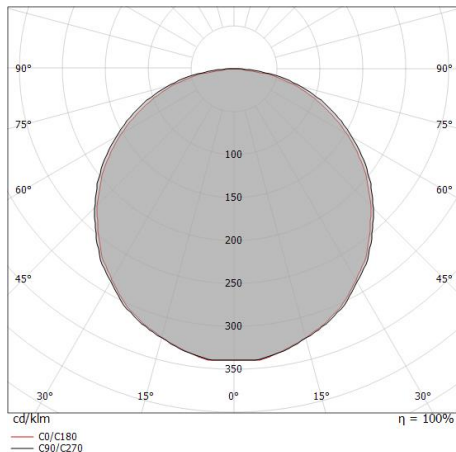
Single emission pendant luminaires for indoor application. The warm white LED light source with a general lighting light distribution is composed of 1 topLED LEDs with CCT of 3000 K and a CRI 80; the source luminous flux is 1688 lm, with a 112.5 lm/W nominal luminous efficacy.

The device body is made of iron and features a copper finish, processed by means of coating; the diffuser is made of uv resistant polycarbonate with a sandblasting treatment; the mounting frame is made of iron, with a copper finish, processed by means of coating. The ingress protection degree is IP20;

The total absorbed power is 15 W.

The device features protection class I and can be ceiling-mounted.

Compliant with the EN 60598-1 standard and its specific provisions.



Distance [m]	Cone diameter [m]	illuminance [lx]	E(0°)	E(C90)	E(C0)
0.5	1.59 1.50	2013 153 173	57.8°	57.8°	56.3°
1.0	3.18 3.00	503 38 43	57.8°	57.8°	56.3°
1.5	4.76 4.50	224 17 19	57.8°	57.8°	56.3°
2.0	6.35 6.00	126 10 11	57.8°	57.8°	56.3°
2.5	7.94 7.50	81 6 7	57.8°	57.8°	56.3°
3.0	9.53 9.00	56 4 5	57.8°	57.8°	56.3°

Distance [m]      Cone diameter [m]      illuminance [lx]

— C0/C180 (Half-peak divergence: 112.6°)  
— C90/C270 (Half-peak divergence: 115.6°)

### Illuminotechnical Features

Light Output Ratio (LOR)	87 %
Source lumens	1688 lm
Delivered lumens	1483.1 lm
Consumption	15 W
Luminaire efficacy	98 lm/W
Colour temperature	3000 K
Standard Deviation of Colour Matching	3 Step MacAdam
Colour rendering index	80 Ra
Junction temperature (lighting fixture)	80 °C
Standard Operating Ambient Temperature	20 °C

### LED Life / Failure Ratio

L70 B20 C0 72.5h

### UGR

X=4H   Y=8H	S=0.25H
Reflection factor	70/50/20
UGR transversal	< 28
UGR axial	> 28

### OPTICAL

Light distribution simmetry	Symmetrical 2
C0/C180 optics	113°
C90/C270 optics	116°