

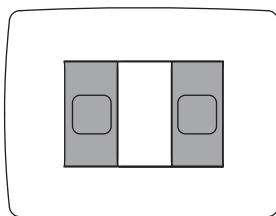
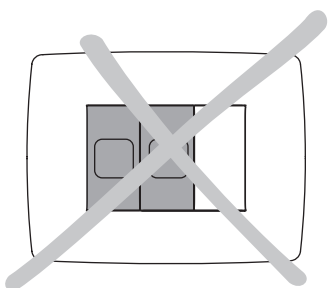
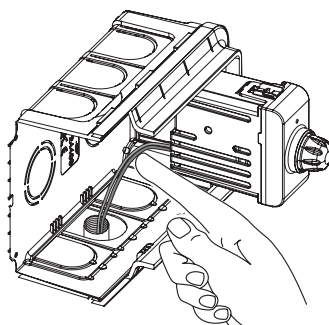
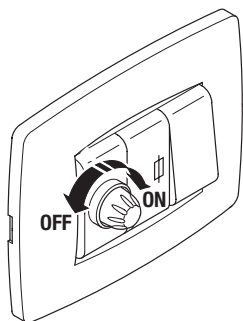
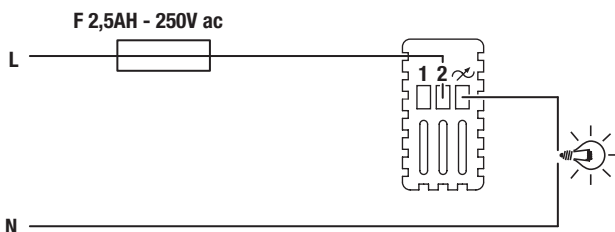


ε

GW 10 561
GW 12 561
GW 14 561



100 - 500W



OK
P/2

