



Product code	Colour
6123-07-30	Black
6123-07-31	White

General Specifications

Product type	: Spotlights
Mounting type	: Tracks
Description	: To apply low-voltage spotlights with pipe to the low voltage Light Kit ELV track, the Jack adapter must be ordered separately (code 6601-00).

Indoor/outdoor lights	: Indoor
-----------------------	----------

Lighting specifications

Lamp description	: HR 50W GU5,3 / MR16 4W LED GU5,3
------------------	------------------------------------

Physical Specifications

Body	: Die-cast aluminium
Finishes	: Chromed

Electrical Specifications

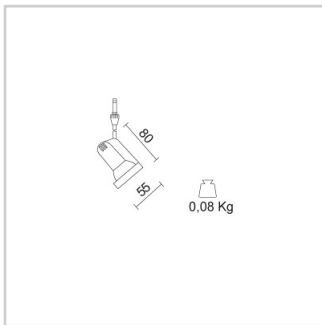
Transformer availability	: Separate item
Transformer mounting	: Remote
Transformer type	: Electromagnetic
Pipe (mm)	: 7

Weight and Dimensions

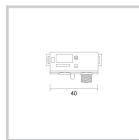
Length (mm)	: 85
Width (mm)	: 55
Weight (Kg)	: 0.08

Optical Specifications

Aiming	: Adjustable
Light distribution	: Symmetric
Light emission	: Direct
Horizontal orientation	: 360°



Accessories



6601-00-30/31
Jack adapter
12V-5A

Lamps	Lamp categories	Lamp type	Lamp wattage (W)	Base	Nominal lumens on thermal regime (lm)	Color rendering (CRI)
	Low voltage	HR	50	GU5	1500	100
	Low voltage	HR	50	GU5	1200	100
	Low voltage	HR	50	GU5	750	100
	LED	MR 16	4	GU5		

Pictures and Applications

