










LUX INTERNATIONAL PLATES

Technopolymer	MILK WHITE		MONOCHROME MILK WHITE		TITANIUM		CHROME	
								
	GW 16 222 TB	2 gang	GW 16 222 YB	2 gang	GW 16 222 VT	2 gang	GW 16 222 MC	2 gang
	GW 16 223 TB	2+2 horizontal gang	GW 16 223 YB	2+2 horizontal gang	GW 16 223 VT	2+2 horizontal gang	GW 16 223 MC	2+2 horizontal gang
	GW 16 224 TB	2+2 vertical gang	GW 16 224 YB	2+2 vertical gang	GW 16 224 VT	2+2 vertical gang	GW 16 224 MC	2+2 vertical gang
	GW 16 225 TB	2+2 vertical gang 57 mm			GW 16 226 VT	2+2+2 horizontal gang	GW 16 226 MC	2+2+2 horizontal gang
	GW 16 226 TB	2+2+2 horizontal gang	GW 16 226 YB	2+2+2 horizontal gang	GW 16 227 VT	2+2+2 vertical gang	GW 16 227 MC	2+2+2 vertical gang
	GW 16 227 TB	2+2+2 vertical gang	GW 16 227 YB	2+2+2 vertical gang	GW 16 228 VT	2+2+2+2 horizontal gang	GW 16 228 MC	2+2+2+2 horizontal gang
	GW 16 228 TB	2+2+2+2 horizontal gang	GW 16 228 YB	2+2+2+2 horizontal gang	GW 16 229 VT	2+2+2+2 vertical gang	GW 16 229 MC	2+2+2+2 vertical gang
	GW 16 229 TB	2+2+2+2 vertical gang	GW 16 229 YB	2+2+2+2 vertical gang				
Painted technopolymer	TONER BLACK		SLATE		GOLD			
								
	GW 16 222 TN	2 gang	GW 16 222 VA	2 gang	GW 16 222 MO	2 gang		
	GW 16 223 TN	2+2 horizontal gang	GW 16 223 VA	2+2 horizontal gang	GW 16 223 MO	2+2 horizontal gang		
	GW 16 224 TN	2+2 vertical gang	GW 16 224 VA	2+2 vertical gang	GW 16 224 MO	2+2 vertical gang		
	GW 16 226 TN	2+2+2 horizontal gang	GW 16 226 VA	2+2+2 horizontal gang	GW 16 226 MO	2+2+2 horizontal gang		
	GW 16 227 TN	2+2+2 vertical gang	GW 16 227 VA	2+2+2 vertical gang	GW 16 227 MO	2+2+2 vertical gang		
	GW 16 228 TN	2+2+2+2 horizontal gang	GW 16 228 VA	2+2+2+2 horizontal gang	GW 16 228 MO	2+2+2+2 horizontal gang		
	GW 16 229 TN	2+2+2+2 vertical gang	GW 16 229 VA	2+2+2+2 vertical gang	GW 16 229 MO	2+2+2+2 vertical gang		
Technopolymer - Wood finish	MAPLE		WENGE		CHERRY			
								
	GW 16 222 LA	2 gang	GW 16 222 LW	2 gang	GW 16 222 LC	2 gang		
	GW 16 223 LA	2+2 horizontal gang	GW 16 223 LW	2+2 horizontal gang	GW 16 223 LC	2+2 horizontal gang		
	GW 16 224 LA	2+2 vertical gang	GW 16 224 LW	2+2 vertical gang	GW 16 224 LC	2+2 vertical gang		
	GW 16 226 LA	2+2+2 horizontal gang	GW 16 226 LW	2+2+2 horizontal gang	GW 16 226 LC	2+2+2 horizontal gang		
	GW 16 227 LA	2+2+2 vertical gang	GW 16 227 LW	2+2+2 vertical gang	GW 16 227 LC	2+2+2 vertical gang		
	GW 16 228 LA	2+2+2+2 horizontal gang	GW 16 228 LW	2+2+2+2 horizontal gang	GW 16 228 LC	2+2+2+2 horizontal gang		
	GW 16 229 LA	2+2+2+2 vertical gang	GW 16 229 LW	2+2+2+2 vertical gang	GW 16 229 LC	2+2+2+2 vertical gang		
Technopolymer - Leather finish	BLACK		WHITE		RUBY			
								
	GW 16 222 PN	2 gang	GW 16 222 PB	2 gang	GW 16 222 PR	2 gang		
	GW 16 223 PN	2+2 horizontal gang	GW 16 223 PB	2+2 horizontal gang	GW 16 223 PR	2+2 horizontal gang		
	GW 16 224 PN	2+2 vertical gang	GW 16 224 PB	2+2 vertical gang	GW 16 224 PR	2+2 vertical gang		
	GW 16 226 PN	2+2+2 horizontal gang	GW 16 226 PB	2+2+2 horizontal gang	GW 16 226 PR	2+2+2 horizontal gang		
	GW 16 227 PN	2+2+2 vertical gang	GW 16 227 PB	2+2+2 vertical gang	GW 16 227 PR	2+2+2 vertical gang		
	GW 16 228 PN	2+2+2+2 horizontal gang	GW 16 228 PB	2+2+2+2 horizontal gang	GW 16 228 PR	2+2+2+2 horizontal gang		
	GW 16 229 PN	2+2+2+2 vertical gang	GW 16 229 PB	2+2+2+2 vertical gang	GW 16 229 PR	2+2+2+2 vertical gang		

LUX INTERNATIONAL PLATES

DOMESTIC RANGES

Technopolymer - Stone finish

LAVA



GW 16 222 RL	2 gang
GW 16 223 RL	2+2 horizontal gang
GW 16 224 RL	2+2 vertical gang
GW 16 226 RL	2+2+2 horizontal gang
GW 16 227 RL	2+2+2 vertical gang
GW 16 228 RL	2+2+2+2 horizontal gang
GW 16 229 RL	2+2+2+2 vertical gang

SAND



GW 16 222 RS	2 gang
GW 16 223 RS	2+2 horizontal gang
GW 16 224 RS	2+2 vertical gang
GW 16 226 RS	2+2+2 horizontal gang
GW 16 227 RS	2+2+2 vertical gang
GW 16 228 RS	2+2+2+2 horizontal gang
GW 16 229 RS	2+2+2+2 vertical gang

MOON



GW 16 222 RN	2 gang
GW 16 223 RN	2+2 horizontal gang
GW 16 224 RN	2+2 vertical gang
GW 16 226 RN	2+2+2 horizontal gang
GW 16 227 RN	2+2+2 vertical gang
GW 16 228 RN	2+2+2+2 horizontal gang
GW 16 229 RN	2+2+2+2 vertical gang

Metal

BRUSHED STAINLESS STEEL



GW 16 222 MI	2 gang
GW 16 223 MI	2+2 horizontal gang
GW 16 224 MI	2+2 vertical gang
GW 16 226 MI	2+2+2 horizontal gang
GW 16 227 MI	2+2+2 vertical gang
GW 16 228 MI	2+2+2+2 horizontal gang
GW 16 229 MI	2+2+2+2 vertical gang

BLACK ALUMINIUM



GW 16 222 MA	2 gang
GW 16 223 MA	2+2 horizontal gang
GW 16 224 MA	2+2 vertical gang
GW 16 226 MA	2+2+2 horizontal gang
GW 16 227 MA	2+2+2 vertical gang
GW 16 228 MA	2+2+2+2 horizontal gang
GW 16 229 MA	2+2+2+2 vertical gang

OXIDISED FINISH



GW 16 222 MF	2 gang
GW 16 223 MF	2+2 horizontal gang
GW 16 224 MF	2+2 vertical gang
GW 16 226 MF	2+2+2 horizontal gang
GW 16 227 MF	2+2+2 vertical gang
GW 16 228 MF	2+2+2+2 horizontal gang
GW 16 229 MF	2+2+2+2 vertical gang

Glass

ICE



GW 16 222 CG	2 gang
GW 16 223 CG	2+2 horizontal gang
GW 16 224 CG	2+2 vertical gang
GW 16 226 CG	2+2+2 horizontal gang
GW 16 227 CG	2+2+2 vertical gang
GW 16 228 CG	2+2+2+2 horizontal gang
GW 16 229 CG	2+2+2+2 vertical gang

AQUAMARINE

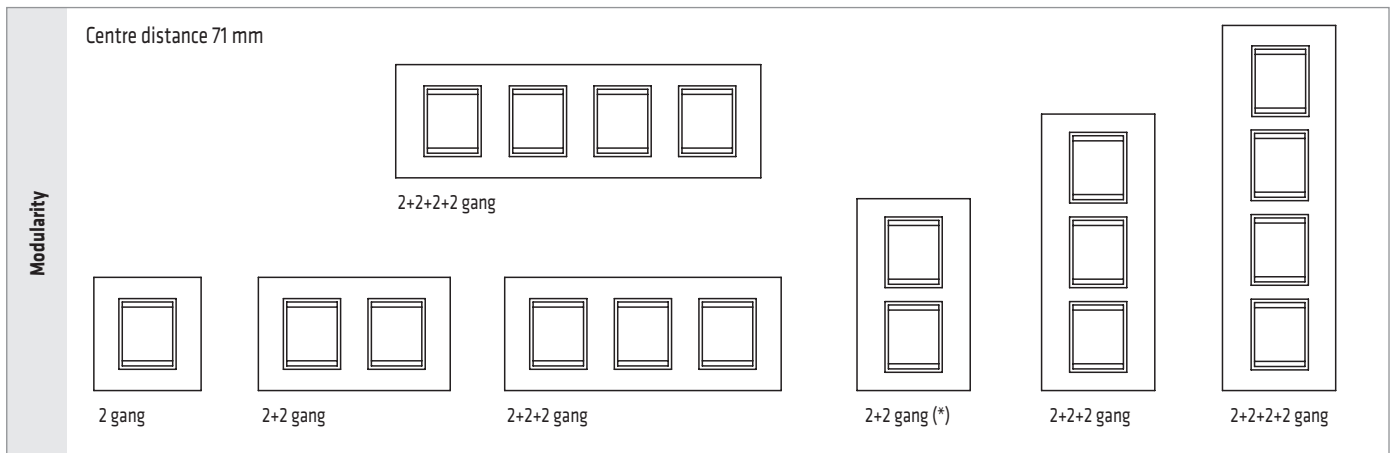


GW 16 222 CA	2 gang
GW 16 223 CA	2+2 horizontal gang
GW 16 224 CA	2+2 vertical gang
GW 16 226 CA	2+2+2 horizontal gang
GW 16 227 CA	2+2+2 vertical gang
GW 16 228 CA	2+2+2+2 horizontal gang
GW 16 229 CA	2+2+2+2 vertical gang

OCHRE



GW 16 222 CO	2 gang
GW 16 223 CO	2+2 horizontal gang
GW 16 224 CO	2+2 vertical gang
GW 16 226 CO	2+2+2 horizontal gang
GW 16 227 CO	2+2+2 vertical gang
GW 16 228 CO	2+2+2+2 horizontal gang
GW 16 229 CO	2+2+2+2 vertical gang



(*) Available also with centre distance 57 mm (only milk white)

For customized plates please contact our GEWISS Sales Organization

LUX INTERNATIONAL PLATES

TECHNOPOLYMER



GW 16 222 TB

LUX INTERNATIONAL - MILK WHITE

Code	Description	Type	Centre distance	Pack Carton
GW 16 222 TB	2 gang			12
GW 16 223 TB	2+2 gang	Horizontal	71 mm	6
GW 16 224 TB	2+2 gang	Vertical	71 mm	6
GW 16 225 TB	2+2 gang	Vertical	57 mm	6
GW 16 226 TB	2+2+2 gang	Horizontal	71 mm	1
GW 16 227 TB	2+2+2 gang	Vertical	71 mm	1
GW 16 228 TB	2+2+2+2 gang	Horizontal	71 mm	1
GW 16 229 TB	2+2+2+2 gang	Vertical	71 mm	1

CHARACTERISTICS: glossy finish. GW16225TB to be used with the GW24282PM box; for the installation use nr. 2 supports GW16822 vertically coupled by breaking the wings located on the contact side on both supports.



GW 16 222 YB

LUX INTERNATIONAL - MONOCHROME MILK WHITE

Code	Description	Type	Centre distance	Pack Carton
GW 16 222 YB	2 gang			12
GW 16 223 YB	2+2 gang	Horizontal	71 mm	6
GW 16 224 YB	2+2 gang	Vertical	71 mm	6
GW 16 226 YB	2+2+2 gang	Horizontal	71 mm	1
GW 16 227 YB	2+2+2 gang	Vertical	71 mm	1
GW 16 228 YB	2+2+2+2 gang	Horizontal	71 mm	1
GW 16 229 YB	2+2+2+2 gang	Vertical	71 mm	1

CHARACTERISTICS: glossy finish.

NOTES: under-plate and inner frame in the same white shade as the plate.



GW 16 222 TN

LUX INTERNATIONAL - TONER BLACK

Code	Description	Type	Centre distance	Pack Carton
GW 16 222 TN	2 gang			12
GW 16 223 TN	2+2 gang	Horizontal	71 mm	6
GW 16 224 TN	2+2 gang	Vertical	71 mm	6
GW 16 226 TN	2+2+2 gang	Horizontal	71 mm	1
GW 16 227 TN	2+2+2 gang	Vertical	71 mm	1
GW 16 228 TN	2+2+2+2 gang	Horizontal	71 mm	1
GW 16 229 TN	2+2+2+2 gang	Vertical	71 mm	1

CHARACTERISTICS: glossy finish.

PAINTED TECHNOPOLYMER



GW 16 222 VT

LUX INTERNATIONAL - TITANIUM

Code	Description	Type	Centre distance	Pack Carton
GW 16 222 VT	2 gang			12
GW 16 223 VT	2+2 gang	Horizontal	71 mm	6
GW 16 224 VT	2+2 gang	Vertical	71 mm	6
GW 16 226 VT	2+2+2 gang	Horizontal	71 mm	1
GW 16 227 VT	2+2+2 gang	Vertical	71 mm	1
GW 16 228 VT	2+2+2+2 gang	Horizontal	71 mm	1
GW 16 229 VT	2+2+2+2 gang	Vertical	71 mm	1

CHARACTERISTICS: glossy finish.



GW 16 222 VA

LUX INTERNATIONAL - SLATE

Code	Description	Type	Centre distance	Pack Carton
GW 16 222 VA	2 gang			12
GW 16 223 VA	2+2 gang	Horizontal	71 mm	6
GW 16 224 VA	2+2 gang	Vertical	71 mm	6
GW 16 226 VA	2+2+2 gang	Horizontal	71 mm	1
GW 16 227 VA	2+2+2 gang	Vertical	71 mm	1
GW 16 228 VA	2+2+2+2 gang	Horizontal	71 mm	1
GW 16 229 VA	2+2+2+2 gang	Vertical	71 mm	1

CHARACTERISTICS: glossy finish.

METALLISED TECHNOPOLYMER



GW 16 222 MC

LUX INTERNATIONAL - CHROME

Code	Description	Type	Centre distance	Pack Carton
GW 16 222 MC	2 gang			12
GW 16 223 MC	2+2 gang	Horizontal	71 mm	6
GW 16 224 MC	2+2 gang	Vertical	71 mm	6
GW 16 226 MC	2+2+2 gang	Horizontal	71 mm	1
GW 16 227 MC	2+2+2 gang	Vertical	71 mm	1
GW 16 228 MC	2+2+2+2 gang	Horizontal	71 mm	1
GW 16 229 MC	2+2+2+2 gang	Vertical	71 mm	1

CHARACTERISTICS: glossy finish.



GW 16 222 MO

LUX INTERNATIONAL - GOLD

Code	Description	Type	Centre distance	Pack Carton
GW 16 222 MO	2 gang			12
GW 16 223 MO	2+2 gang	Horizontal	71 mm	6
GW 16 224 MO	2+2 gang	Vertical	71 mm	6
GW 16 226 MO	2+2+2 gang	Horizontal	71 mm	1
GW 16 227 MO	2+2+2 gang	Vertical	71 mm	1
GW 16 228 MO	2+2+2+2 gang	Horizontal	71 mm	1
GW 16 229 MO	2+2+2+2 gang	Vertical	71 mm	1

CHARACTERISTICS: glossy finish.

TECHNOPOLYMER - WOOD FINISH



GW 16 222 LA

LUX INTERNATIONAL - MAPLE

Code	Description	Type	Centre distance	Pack Carton
GW 16 222 LA	2 gang			12
GW 16 223 LA	2+2 gang	Horizontal	71 mm	6
GW 16 224 LA	2+2 gang	Vertical	71 mm	6
GW 16 226 LA	2+2+2 gang	Horizontal	71 mm	1
GW 16 227 LA	2+2+2 gang	Vertical	71 mm	1
GW 16 228 LA	2+2+2+2 gang	Horizontal	71 mm	1
GW 16 229 LA	2+2+2+2 gang	Vertical	71 mm	1



GW 16 222 LW

LUX INTERNATIONAL - WENGE

Code	Description	Type	Centre distance	Pack Carton
GW 16 222 LW	2 gang			12
GW 16 223 LW	2+2 gang	Horizontal	71 mm	6
GW 16 224 LW	2+2 gang	Vertical	71 mm	6
GW 16 226 LW	2+2+2 gang	Horizontal	71 mm	1
GW 16 227 LW	2+2+2 gang	Vertical	71 mm	1
GW 16 228 LW	2+2+2+2 gang	Horizontal	71 mm	1
GW 16 229 LW	2+2+2+2 gang	Vertical	71 mm	1



GW 16 222 LC

LUX INTERNATIONAL - CHERRY

Code	Description	Type	Centre distance	Pack Carton
GW 16 222 LC	2 gang			12
GW 16 223 LC	2+2 gang	Horizontal	71 mm	6
GW 16 224 LC	2+2 gang	Vertical	71 mm	6
GW 16 226 LC	2+2+2 gang	Horizontal	71 mm	1
GW 16 227 LC	2+2+2 gang	Vertical	71 mm	1
GW 16 228 LC	2+2+2+2 gang	Horizontal	71 mm	1
GW 16 229 LC	2+2+2+2 gang	Vertical	71 mm	1

TECHNOPOLYMER - LEATHER FINISH


GW 16 222 PN

LUX INTERNATIONAL - BLACK

Code	Description	Type	Centre distance	Pack Carton
GW 16 222 PN	2 gang			12
GW 16 223 PN	2+2 gang	Horizontal	71 mm	6
GW 16 224 PN	2+2 gang	Vertical	71 mm	6
GW 16 226 PN	2+2+2 gang	Horizontal	71 mm	1
GW 16 227 PN	2+2+2 gang	Vertical	71 mm	1
GW 16 228 PN	2+2+2+2 gang	Horizontal	71 mm	1
GW 16 229 PN	2+2+2+2 gang	Vertical	71 mm	1



GW 16 222 PB

LUX INTERNATIONAL - WHITE

Code	Description	Type	Centre distance	Pack Carton
GW 16 222 PB	2 gang			12
GW 16 223 PB	2+2 gang	Horizontal	71 mm	6
GW 16 224 PB	2+2 gang	Vertical	71 mm	6
GW 16 226 PB	2+2+2 gang	Horizontal	71 mm	1
GW 16 227 PB	2+2+2 gang	Vertical	71 mm	1
GW 16 228 PB	2+2+2+2 gang	Horizontal	71 mm	1
GW 16 229 PB	2+2+2+2 gang	Vertical	71 mm	1



GW 16 222 PR

LUX INTERNATIONAL - RUBY

Code	Description	Type	Centre distance	Pack Carton
GW 16 222 PR	2 gang			12
GW 16 223 PR	2+2 gang	Horizontal	71 mm	6
GW 16 224 PR	2+2 gang	Vertical	71 mm	6
GW 16 226 PR	2+2+2 gang	Horizontal	71 mm	1
GW 16 227 PR	2+2+2 gang	Vertical	71 mm	1
GW 16 228 PR	2+2+2+2 gang	Horizontal	71 mm	1
GW 16 229 PR	2+2+2+2 gang	Vertical	71 mm	1

TECHNOPOLYMER - STONE FINISH



GW 16 222 RL

LUX INTERNATIONAL - LAVA

Code	Description	Type	Centre distance	Pack Carton
GW 16 222 RL	2 gang			12
GW 16 223 RL	2+2 gang	Horizontal	71 mm	6
GW 16 224 RL	2+2 gang	Vertical	71 mm	6
GW 16 226 RL	2+2+2 gang	Horizontal	71 mm	1
GW 16 227 RL	2+2+2 gang	Vertical	71 mm	1
GW 16 228 RL	2+2+2+2 gang	Horizontal	71 mm	1
GW 16 229 RL	2+2+2+2 gang	Vertical	71 mm	1

CHARACTERISTICS: glossy finish.



GW 16 222 RS

LUX INTERNATIONAL - SAND

Code	Description	Type	Centre distance	Pack Carton
GW 16 222 RS	2 gang			12
GW 16 223 RS	2+2 gang	Horizontal	71 mm	6
GW 16 224 RS	2+2 gang	Vertical	71 mm	6
GW 16 226 RS	2+2+2 gang	Horizontal	71 mm	1
GW 16 227 RS	2+2+2 gang	Vertical	71 mm	1
GW 16 228 RS	2+2+2+2 gang	Horizontal	71 mm	1
GW 16 229 RS	2+2+2+2 gang	Vertical	71 mm	1

CHARACTERISTICS: glossy finish.



GW 16 222 RN

LUX INTERNATIONAL - MOON

Code	Description	Type	Centre distance	Pack Carton
GW 16 222 RN	2 gang			12
GW 16 223 RN	2+2 gang	Horizontal	71 mm	6
GW 16 224 RN	2+2 gang	Vertical	71 mm	6
GW 16 226 RN	2+2+2 gang	Horizontal	71 mm	1
GW 16 227 RN	2+2+2 gang	Vertical	71 mm	1
GW 16 228 RN	2+2+2+2 gang	Horizontal	71 mm	1
GW 16 229 RN	2+2+2+2 gang	Vertical	71 mm	1

CHARACTERISTICS: glossy finish.

METAL



GW 16 222 MI

LUX INTERNATIONAL - BRUSHED STAINLESS STEEL

Code	Description	Type	Centre distance	Pack Carton
GW 16 222 MI	2 gang			1
GW 16 223 MI	2+2 gang	Horizontal	71 mm	1
GW 16 224 MI	2+2 gang	Vertical	71 mm	1
GW 16 226 MI	2+2+2 gang	Horizontal	71 mm	1
GW 16 227 MI	2+2+2 gang	Vertical	71 mm	1
GW 16 228 MI	2+2+2+2 gang	Horizontal	71 mm	1
GW 16 229 MI	2+2+2+2 gang	Vertical	71 mm	1



GW 16 222 MA

LUX INTERNATIONAL - BLACK ALUMINIUM

Code	Description	Type	Centre distance	Pack Carton
GW 16 222 MA	2 gang			1
GW 16 223 MA	2+2 gang	Horizontal	71 mm	1
GW 16 224 MA	2+2 gang	Vertical	71 mm	1
GW 16 226 MA	2+2+2 gang	Horizontal	71 mm	1
GW 16 227 MA	2+2+2 gang	Vertical	71 mm	1
GW 16 228 MA	2+2+2+2 gang	Horizontal	71 mm	1
GW 16 229 MA	2+2+2+2 gang	Vertical	71 mm	1



GW 16 222 MF

LUX INTERNATIONAL - OXIDISED FINISH

Code	Description	Type	Centre distance	Pack Carton
GW 16 222 MF	2 gang			1
GW 16 223 MF	2+2 gang	Horizontal	71 mm	1
GW 16 224 MF	2+2 gang	Vertical	71 mm	1
GW 16 226 MF	2+2+2 gang	Horizontal	71 mm	1
GW 16 227 MF	2+2+2 gang	Vertical	71 mm	1
GW 16 228 MF	2+2+2+2 gang	Horizontal	71 mm	1
GW 16 229 MF	2+2+2+2 gang	Vertical	71 mm	1

GLASS



GW 16 222 CG

LUX INTERNATIONAL - ICE

Code	Description	Type	Centre distance	Pack Carton
GW 16 222 CG	2 gang			1
GW 16 223 CG	2+2 gang	Horizontal	71 mm	1
GW 16 224 CG	2+2 gang	Vertical	71 mm	1
GW 16 226 CG	2+2+2 gang	Horizontal	71 mm	1
GW 16 227 CG	2+2+2 gang	Vertical	71 mm	1
GW 16 228 CG	2+2+2+2 gang	Horizontal	71 mm	1
GW 16 229 CG	2+2+2+2 gang	Vertical	71 mm	1

CHARACTERISTICS: opaque effect.

NOTES: design variations in the glass plates are a sign of quality and indicate the genuineness of the materials used.



GW 16 222 CA

LUX INTERNATIONAL - AQUAMARINE

Code	Description	Type	Centre distance	Pack Carton
GW 16 222 CA	2 gang			1
GW 16 223 CA	2+2 gang	Horizontal	71 mm	1
GW 16 224 CA	2+2 gang	Vertical	71 mm	1
GW 16 226 CA	2+2+2 gang	Horizontal	71 mm	1
GW 16 227 CA	2+2+2 gang	Vertical	71 mm	1
GW 16 228 CA	2+2+2+2 gang	Horizontal	71 mm	1
GW 16 229 CA	2+2+2+2 gang	Vertical	71 mm	1

CHARACTERISTICS: opaque effect.

NOTES: design variations in the glass plates are a sign of quality and indicate the genuineness of the materials used.



GW 16 222 CO

LUX INTERNATIONAL - OCHRE

Code	Description	Type	Centre distance	Pack Carton
GW 16 222 CO	2 gang			1
GW 16 223 CO	2+2 gang	Horizontal	71 mm	1
GW 16 224 CO	2+2 gang	Vertical	71 mm	1
GW 16 226 CO	2+2+2 gang	Horizontal	71 mm	1
GW 16 227 CO	2+2+2 gang	Vertical	71 mm	1
GW 16 228 CO	2+2+2+2 gang	Horizontal	71 mm	1
GW 16 229 CO	2+2+2+2 gang	Vertical	71 mm	1

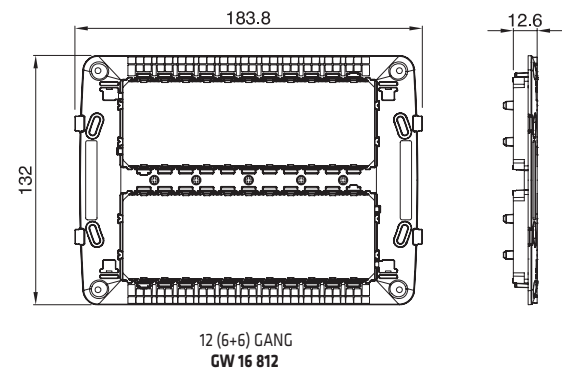
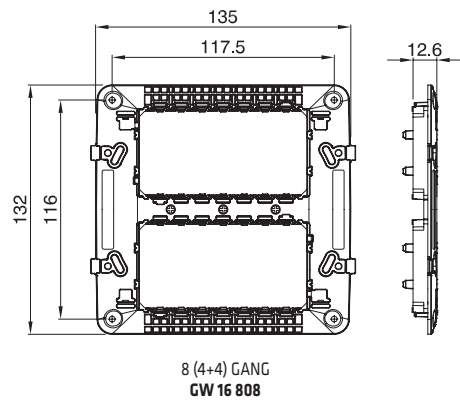
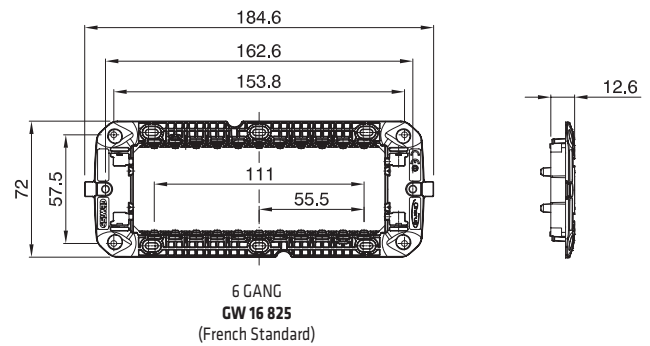
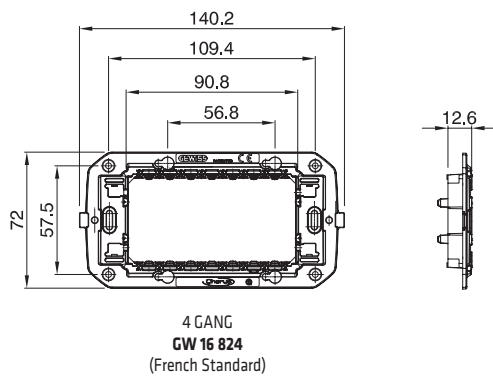
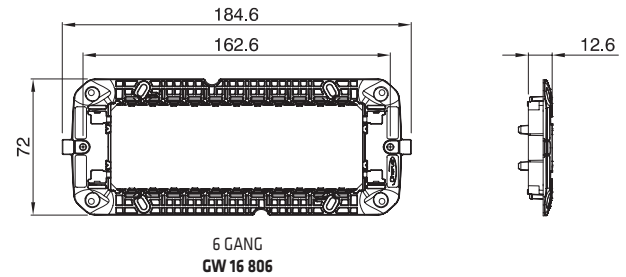
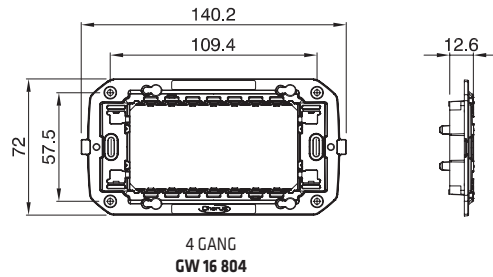
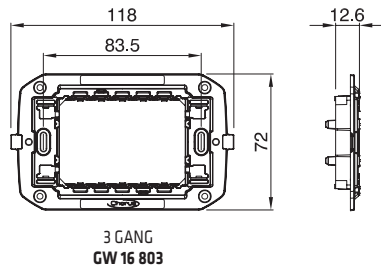
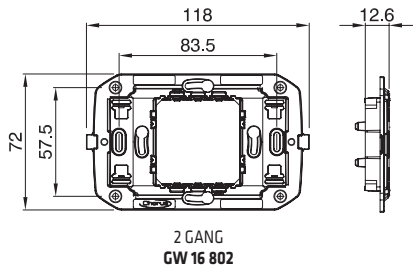
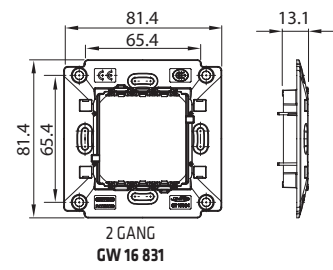
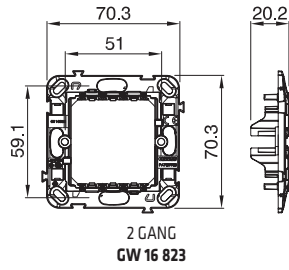
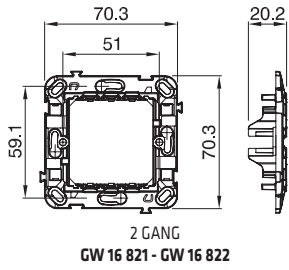
CHARACTERISTICS: opaque effect.

NOTES: design variations in the glass plates are a sign of quality and indicate the genuineness of the materials used.

Chorus

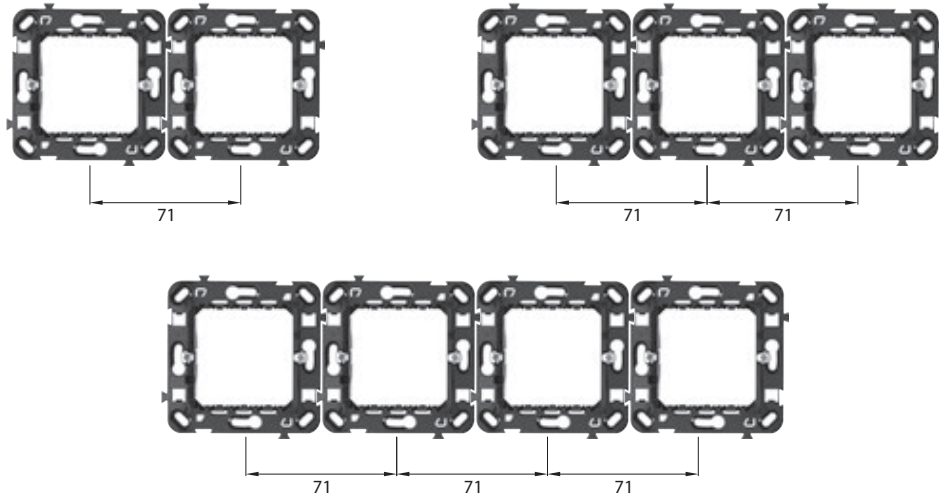
Dimension tables

SUPPORTS

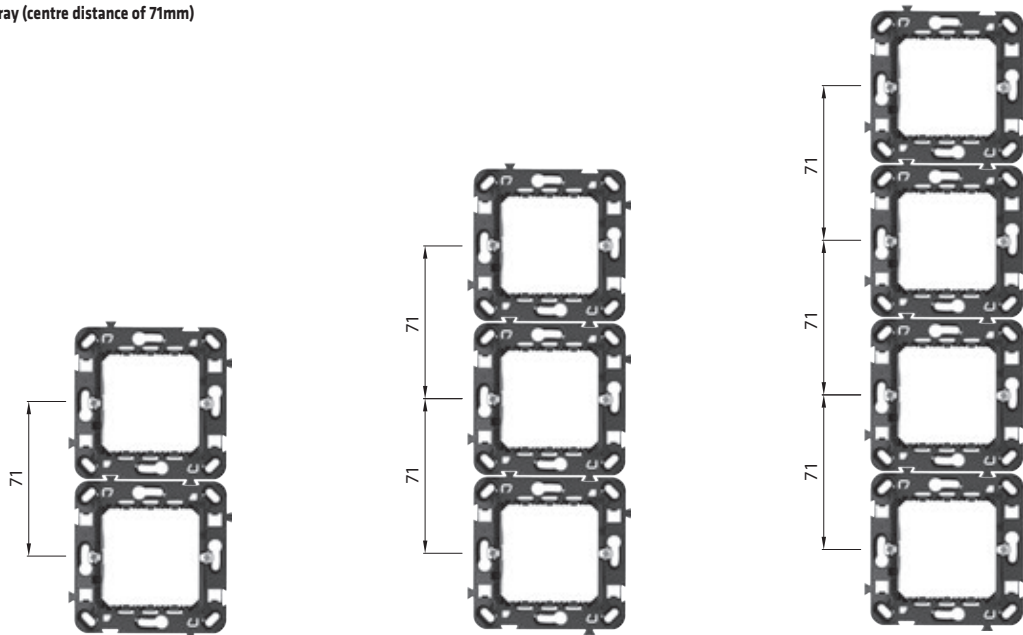


ARRAY OF SUPPORTS FOR INTERNATIONAL PLATES

Horizontal array (centre distance of 71mm)

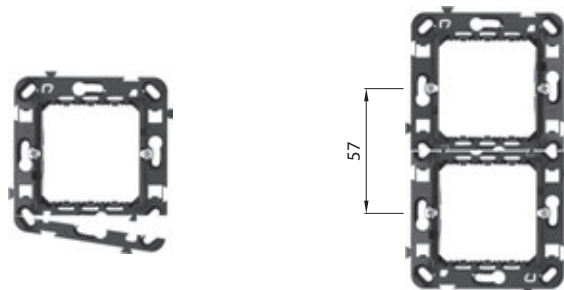


Vertical array (centre distance of 71mm)

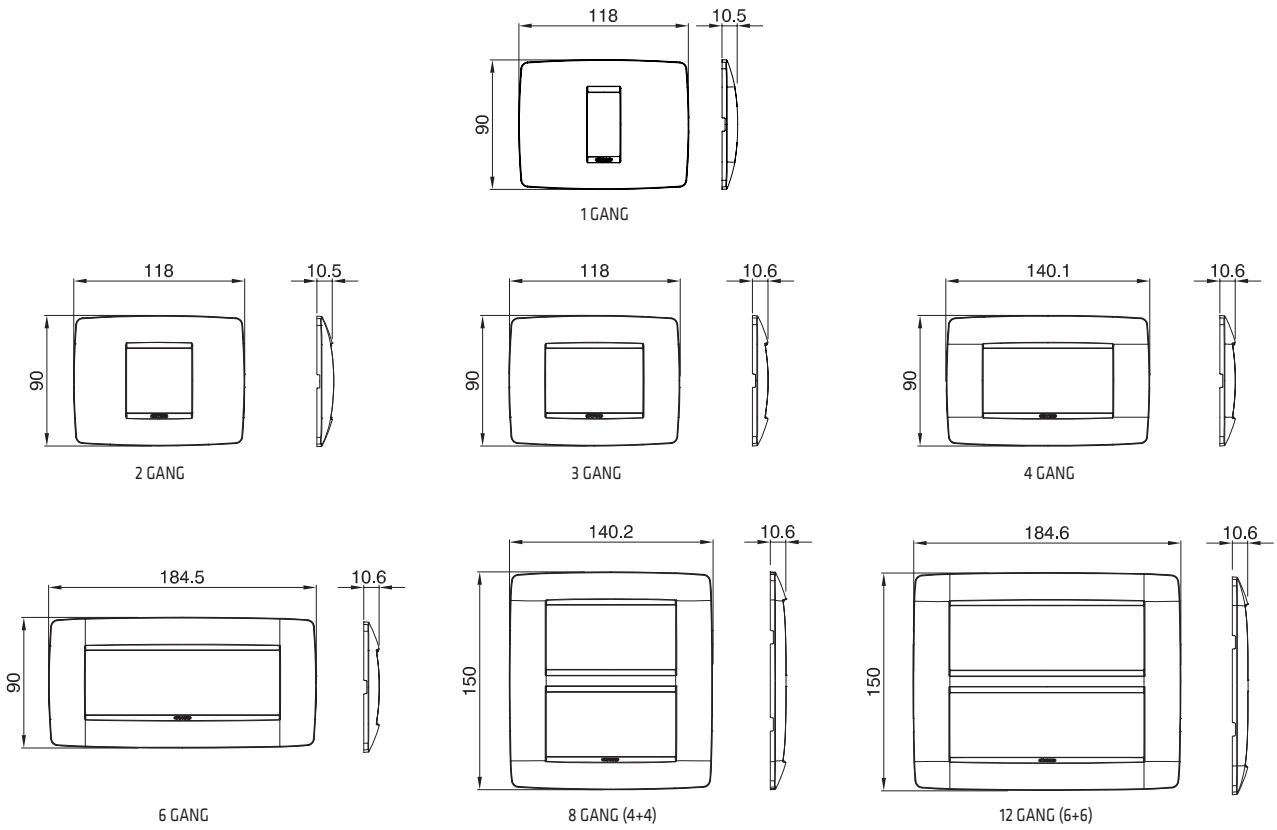


Vertical array (centre distance of 57mm)

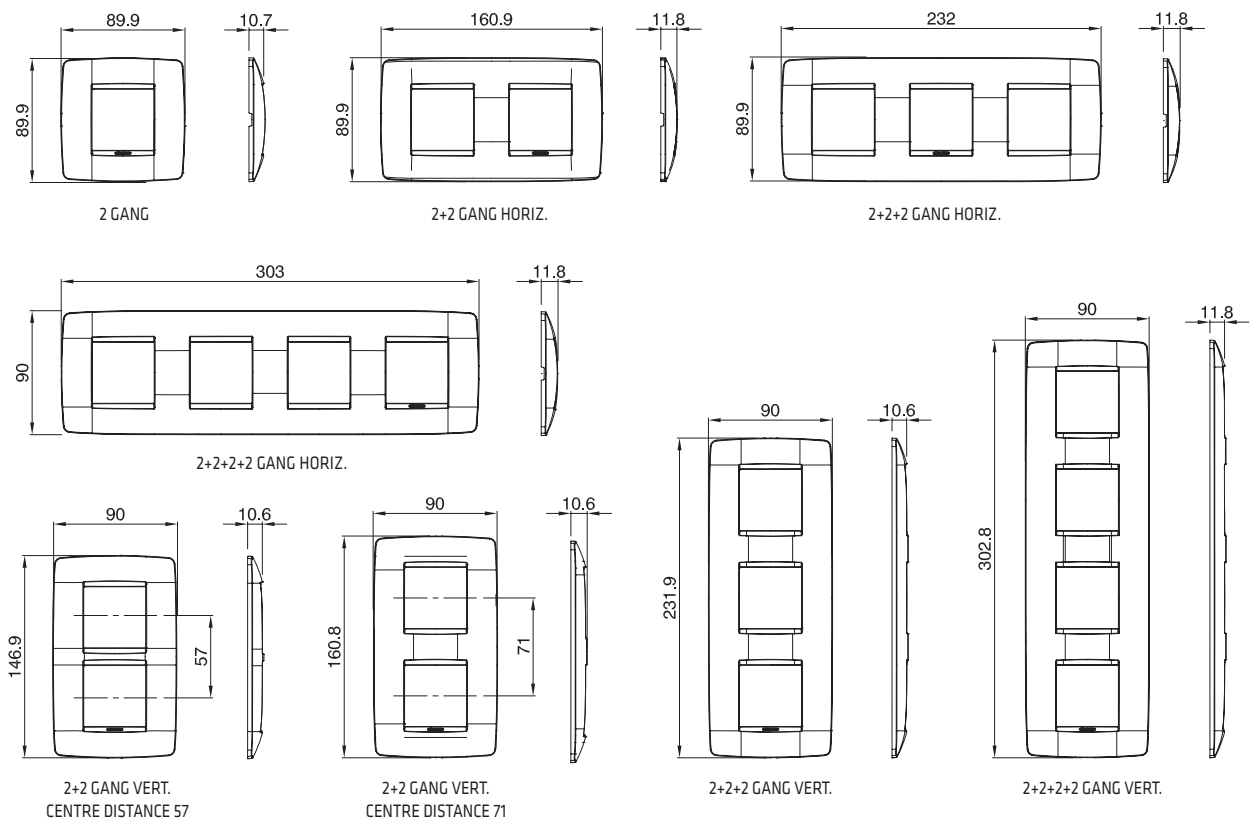
The square supports GW 16 821, GW 16 822, GW 16 823, thank to the knockouts, can be also put side by side with a centre distance of 57mm.

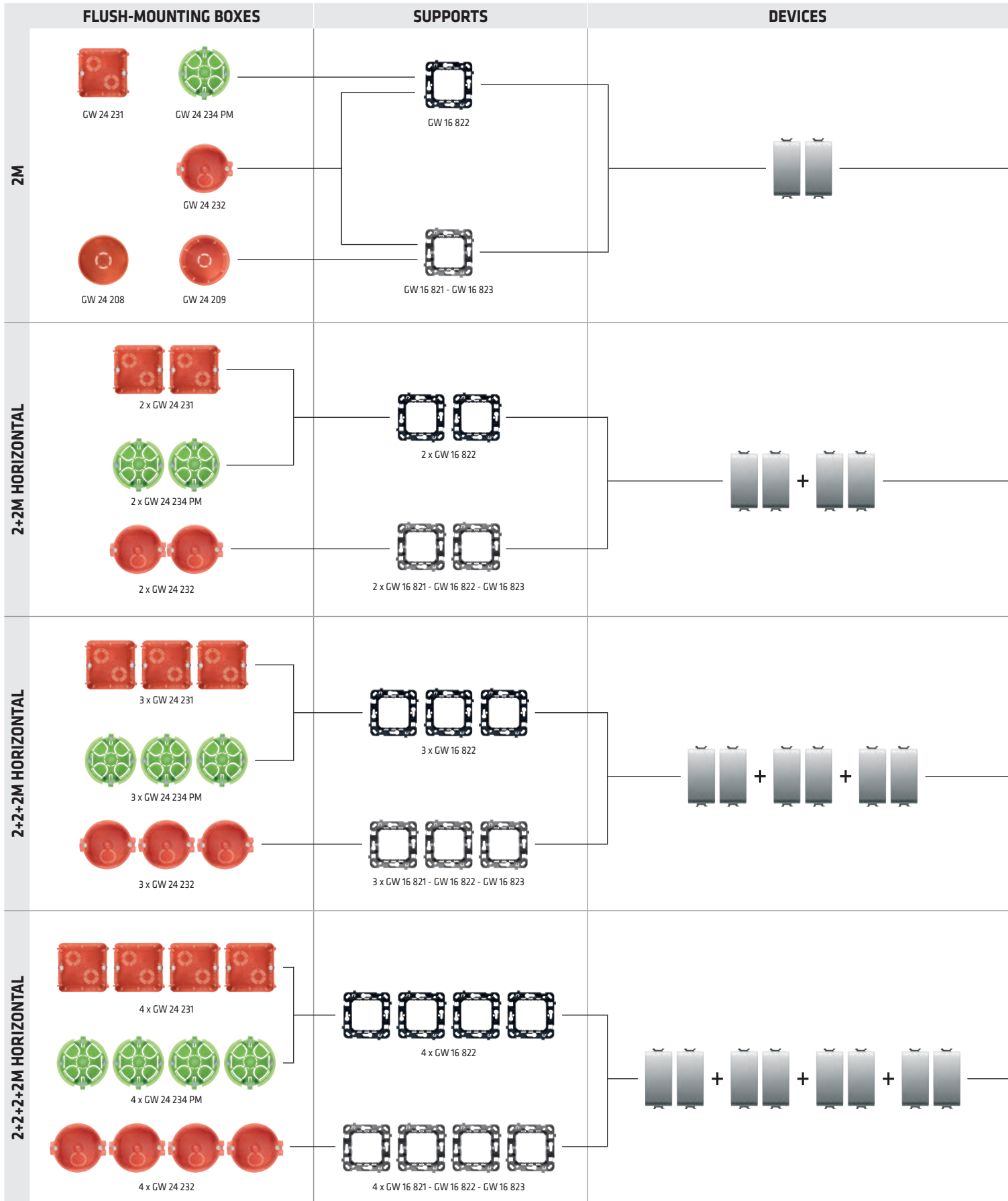


ONE PLATES



ONE INTERNATIONAL PLATES





PLATES

**ONE
INTERNATIONAL**



GW 16 122 xx

**GEO
INTERNATIONAL**



GW 16 422 xx

**LUX
INTERNATIONAL**



GW 16 222 xx

**ONE
INTERNATIONAL**



GW 16 123 xx

**GEO
INTERNATIONAL**



GW 16 423 xx

**LUX
INTERNATIONAL**



GW 16 223 xx

**ONE
INTERNATIONAL**



GW 16 126 xx

**GEO
INTERNATIONAL**



GW 16 426 xx

**LUX
INTERNATIONAL**



GW 16 226 xx

**ONE
INTERNATIONAL**

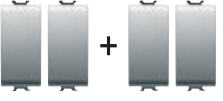


GW 16 128 xx

**LUX
INTERNATIONAL**



GW 16 228 xx

	FLUSH-MOUNTING BOXES	SUPPORTS	DEVICES
2+2M VERTICAL 57MM	 <p>GW 24 282 PM</p>	 <p>2 x GW 16 822 (*)</p> <p><i>(*) Couple two supports GW 16 822 vertically by breaking off the removable wings on each one.</i></p>	
2+2M VERTICAL	 <p>2 x GW 24 231</p>  <p>2 x GW 24 234 PM</p>  <p>2 x GW 24 232</p>	 <p>2 x GW 16 822</p>  <p>2 x GW 16 821 - GW 16 822 - GW 16 823</p>	
2+2+2M VERTICAL	 <p>3 x GW 24 231</p>  <p>3 x GW 24 234 PM</p>  <p>3 x GW 24 232</p>	 <p>3 x GW 16 822</p>  <p>3 x GW 16 821 - GW 16 822 - GW 16 823</p>	
2+2+2+2M VERTICAL	 <p>4 x GW 24 231</p>  <p>4 x GW 24 234 PM</p>  <p>4 x GW 24 232</p>	 <p>4 x GW 16 822</p>  <p>4 x GW 16 821 - GW 16 822 - GW 16 823</p>	

PLATES

**ONE
INTERNATIONAL**



GW 16 125 TB

**LUX
INTERNATIONAL**



GW 16 225 TB

**ONE
INTERNATIONAL**



GW 16 124 xx

**GEO
INTERNATIONAL**



GW 16 424 xx

**LUX
INTERNATIONAL**



GW 16 224 xx

**ONE
INTERNATIONAL**



GW 16 127 xx

**GEO
INTERNATIONAL**



GW 16 427 xx

**LUX
INTERNATIONAL**



GW 16 227 xx

**ONE
INTERNATIONAL**



GW 16 129 xx

**LUX
INTERNATIONAL**



GW 16 229 xx