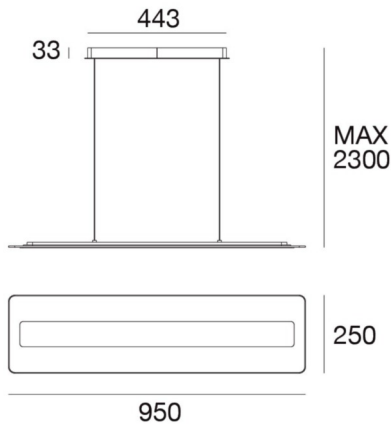




Pendant Luminaires | 220-240 V | stripLED 45 W 880 mA | CRI 80
8937



Technical data

Type	Pendant Luminaires
Installation position	Ceiling
Installation environment	Indoor
Light Source	LED
Circuit structure	stripLED
Optics	General Lighting
Light emission direction	downward and upward
Power	45 W
Source lumens	5957 lm
Frequency	60 - 50 Hz
CCT / Tone	3000 K
Colour rendering index	80 Ra
AC / DC	AC
Safety class	1
IP	IP20
Glow wire test	650°
Direct mounting on normally flammable surfaces	Yes
CE	Yes
ETL	No
Fire Rated (BS 476 PT21 compliant)	No
Driver included	Driver
Induction	No
Emergency mode	No
Motion sensor	No
Directional	No
Tilting	No
Walk-over	No
Drive-over	No
Cable included	No
Resin potting	No
Type of light emission	Double emission
Electrostatic discharge protection	No
Surge protection	No

Finishing casing

Material	Iron
Colour	chrome
Processing	Electroplating

Finishing diffuser

Material	Glass
Colour	transparent
Processing	Sandblasting

Finishing mounting frame

Material	Iron
Colour	embossed white RAL 9003



Pendant Luminaires | 220-240 V | stripLED 45 W 880 mA | CRI 80
8937

Double emission pendant luminaires for indoor application. The warm white LED light source with a general lighting light distribution is composed of 136 striped LEDs with CCT of 3000 K and a CRI 80; the source luminous flux is 5957 lm, with a 132.4 lm/W nominal luminous efficacy.

The device body is made of iron and features a chrome finish, processed by means of electroplating; the diffuser is made of glass with a sandblasting treatment; the mounting frame is made of iron, with an embossed white ral 9003 finish. The ingress protection degree is IP20;

The total absorbed power is 45 W.

The device features protection class I and can be ceiling-mounted.

Compliant with the EN 60598-1 standard and its specific provisions.

Illuminotechnical Features

Source lumens	5957 lm
Colour temperature	3000 K
Standard Deviation of Colour Matching	3 Step MacAdam
Colour rendering index	80 Ra
Junction temperature (lighting fixture)	80 °C
Standard Operating Ambient Temperature	25 °C

LED Life / Failure Ratio

L70 B20 C0 72.5h