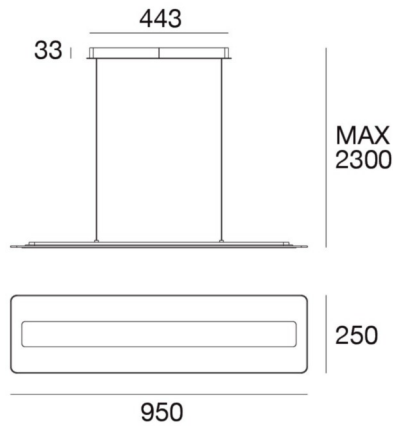




Pendant Luminaires | 220-240 V | stripLED 45 W 880 mA | CRI 80
8939



Technical data

| | |
|--|---------------------|
| Type | Pendant Luminaires |
| Installation position | Ceiling |
| Installation environment | Indoor |
| Light Source | LED |
| Circuit structure | stripLED |
| Optics | General Lighting |
| Light emission direction | downward and upward |
| Power | 45 W |
| Source lumens | 5957 lm |
| Frequency | 60 - 50 Hz |
| CCT / Tone | 3000 K |
| Colour rendering index | 80 Ra |
| AC / DC | AC |
| Safety class | 1 |
| IP | IP20 |
| Glow wire test | 650° |
| Direct mounting on normally flammable surfaces | Yes |
| CE | Yes |
| ETL | No |
| Fire Rated (BS 476 PT21 compliant) | No |
| Driver included | Driver |
| Induction | No |
| Emergency mode | No |
| Motion sensor | No |
| Directional | No |
| Tilting | No |
| Walk-over | No |
| Drive-over | No |
| Cable included | No |
| Resin potting | No |
| Type of light emission | Double emission |
| Electrostatic discharge protection | No |
| Surge protection | No |

Finishing casing

| | |
|------------|----------------|
| Material | Iron |
| Colour | gold |
| Processing | Electroplating |

Finishing diffuser

| | |
|------------|--------------|
| Material | Glass |
| Colour | transparent |
| Processing | Sandblasting |

Finishing mounting frame

| | |
|----------|-------------------------|
| Material | Iron |
| Colour | embossed white RAL 9003 |



Pendant Luminaires | 220-240 V | stripLED 45 W 880 mA | CRI 80
8939

Double emission pendant luminaires for indoor application. The warm white LED light source with a general lighting light distribution is composed of 136 striped LEDs with CCT of 3000 K and a CRI 80; the source luminous flux is 5957 lm, with a 132.4 lm/W nominal luminous efficacy.

The device body is made of iron and features a gold finish, processed by means of electroplating; the diffuser is made of glass with a sandblasting treatment; the mounting frame is made of iron, with a embossed white ral 9003 finish. The ingress protection degree is IP20;

The total absorbed power is 45 W.

The device features protection class I and can be ceiling-mounted.

Compliant with the EN 60598-1 standard and its specific provisions.

Illuminotechnical Features

| | |
|---|----------------|
| Source lumens | 5957 lm |
| Colour temperature | 3000 K |
| Standard Deviation of Colour Matching | 3 Step MacAdam |
| Colour rendering index | 80 Ra |
| Junction temperature (lighting fixture) | 80 °C |
| Standard Operating Ambient Temperature | 25 °C |

LED Life / Failure Ratio

L70 B20 C0 72.5h