

# PRODUCT DATASHEET

## P R80 100 36° 9.6 W/2700K E27

PARATHOM R80 DIM | Dimmable LED reflector lamps R80 with retrofit screw base



---

### AREAS OF APPLICATION

- Display cabinets and shop windows
- Museums, art galleries
- Hospitality
- Residential interiors
- As a downlight for marking walkways, doors, stairs, etc.
- Outdoor applications only in suitable luminaires

---

### PRODUCT BENEFITS

- Very long lifetime of up to 25,000 h
- Low energy consumption
- Easy replacement of halogen lamps thanks to compact design
- Instant 100 % light, no warm-up time

---

### PRODUCT FEATURES

- Professional LED alternative to halogen lamps
- Mercury-free lamps
- Dimmable (with many common dimmers, see also [www.ledvance.com/dim](http://www.ledvance.com/dim))



## TECHNICAL DATA

### Electrical data

|  |             |
|--|-------------|
| Rated wattage                            | 9.60 W      |
| Nominal wattage                          | 9.60 W      |
| Nominal voltage                          | 220...240 V |
| Claimed equiv. conventional lamp power   | 100 W       |
| Max. lamp no. on circuit break. 10 A (B) | 123         |
| Max. lamp no. on circuit break. 16 A (B) | 198         |
| Operating frequency                      | 50...60 Hz  |
| Power factor $\lambda$                   | 0.88        |

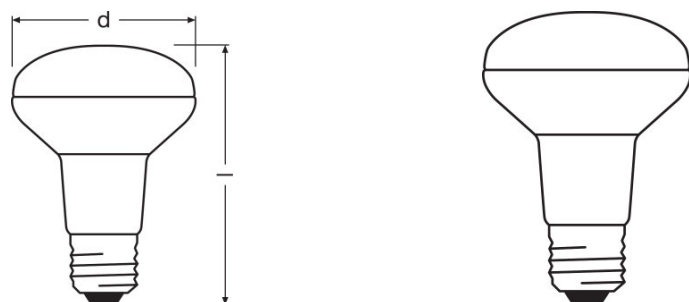
### Photometrical data

|   |               |
|---|---------------|
| Nominal luminous flux                   | 670 lm        |
| Rated luminous flux                     | 670 lm        |
| Rated color temperature                 | 2700 K        |
| Lumen main.fact.at end of nom.life time | 0.70          |
| Light color (designation)               | Warm White    |
| Color temperature                       | 2700 K        |
| Luminous flux                           | 670 lm        |
| Color rendering index Ra                | $\geq 80$     |
| Standard deviation of color matching    | $\leq 6$ sdcn |
| Color rendering index Ra                | $\geq 80$     |
| Nominal useful luminous flux 90°        | 670 lm        |
| Rated useful luminous flux 90°          | 670 lm        |
| Rated peak intensity                    | 1130 cd       |

### Light technical data

|                                    |          |
|------------------------------------|----------|
| Beam angle                         | 36 °     |
| Warm-up time (60 %)                | < 0.50 s |
| Starting time                      | < 0.5 s  |
| Nominal beam angle                 | 36 °     |
| Rated beam angle (half peak value) | 36.00 °  |

Dimensions & weight



|                         |          |
|-------------------------|----------|
| <b>Overall length</b>   | 113.0 mm |
| <b>Diameter</b>         | 80.0 mm  |
| <b>Outer bulb</b>       | R80      |
| <b>Length</b>           | 113.0 mm |
| <b>Maximum diameter</b> | 80.0 mm  |

Temperatures & operating conditions

|   |       |
|---|-------|
| <b>Maximum temperature at tc test point</b> | 84 °C |
|---|-------|

Lifespan

|                                   |         |
|-----------------------------------|---------|
| <b>Nominal lamp life time</b>     | 25000 h |
| <b>Rated lamp life time</b>       | 25000 h |
| <b>Number of switching cycles</b> | 100000  |

Additional product data

|                                    |  |
|------------------------------------|--|
| <b>Base (standard designation)</b> | E27  |
| <b>Mercury content</b>             | 0.0 mg   |
| <b>Mercury-free</b>                | Yes  |
| <b>Show WEEE picto</b>             | Yes  |
| <b>Product remark</b>              | All technical parameters apply to the entire lamp/Due to the complex production process for light-emitting diodes, the typical values shown for the technical LED parameters are purely statistical values that do not necessarily match the actual technical parameters of each individual product, which can vary from the typical value |

Capabilities

|                 |     |
|-----------------|-----|
| <b>Dimmable</b> | Yes |
|-----------------|-----|

Certificates & standards

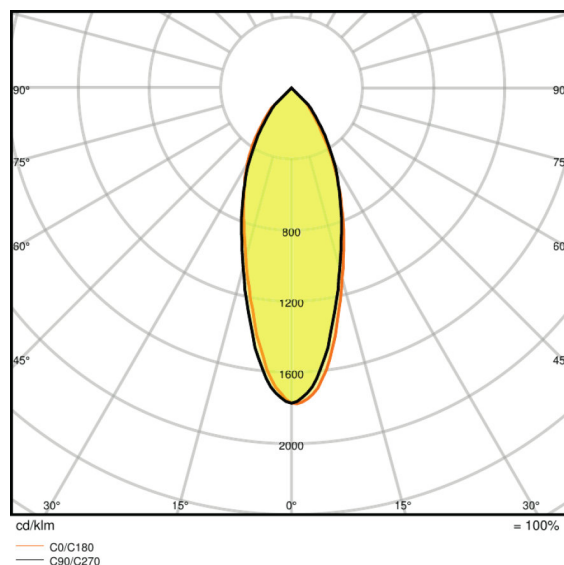
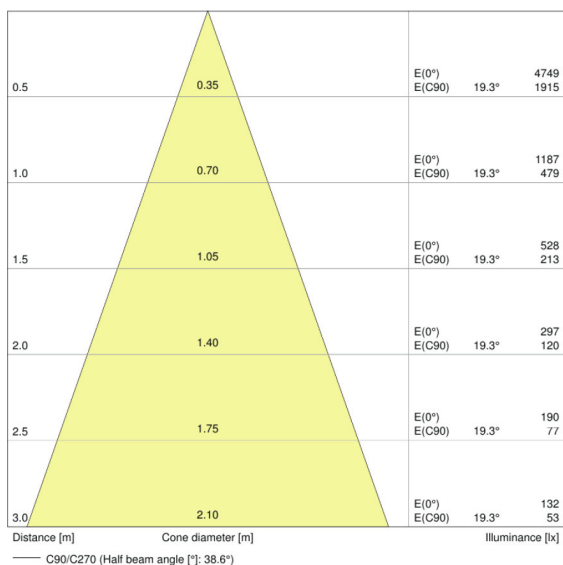
|                                |    |
|--------------------------------|----|
| <b>Energy efficiency class</b> | A+ |
|--------------------------------|----|

|                           |              |
|---------------------------|--------------|
| <b>Energy consumption</b> | 10 kWh/1000h |
|---------------------------|--------------|

Country-specific categorizations

|                        |                 |
|------------------------|-----------------|
| <b>Order reference</b> | LEDPR80100D 9,6 |
|------------------------|-----------------|

Light Distribution



LDC typ cone

LDC typ polar

LOGISTICAL DATA

| Product code  | Packaging unit (Pieces/Unit) | Dimensions (length x width x height) | Gross weight | Volume                |
|---------------|------------------------------|--------------------------------------|--------------|-----------------------|
| 4058075097186 | Folding carton box<br>1      | 82 mm x 82 mm x 118 mm               | 250.00 g     | 0.79 dm <sup>3</sup>  |
| 4058075097193 | Shipping carton box<br>10    | 449 mm x 188 mm x 146 mm             | 3007.00 g    | 12.32 dm <sup>3</sup> |

The mentioned product code describes the smallest quantity unit which can be ordered. One shipping unit can contain one or more single products. When placing an order, for the quantity please enter single or multiples of a shipping unit.

REFERENCES / LINKS

For dimming conformity see

- ▶ [www.ledvance.com/dim](http://www.ledvance.com/dim)

For further products and actual information concerning LED lamps see

- ▶ [www.ledvance.com/ledlamps](http://www.ledvance.com/ledlamps)

For Guarantee see

▶ [www.ledvance.com/guarantee](http://www.ledvance.com/guarantee)

---

**DISCLAIMER**

Subject to change without notice. Errors and omission excepted. Always make sure to use the most recent release.