



Product code	Color
238-039BN-21	Mat white

General Specifications

Product type	: Downlights
Mounting type	: Ceiling - recessed
Description	: Fixed downlight for diffused lighting designed for the last generation of COB LEDs, with a trimless effect, able to grant a high visual comfort. LED drivers should be ordered separately, the wattage of the fittings changes depending on the selected driver. Protection rating IP43. UGR < 16.
Indoor/outdoor lights	: Indoor
Applications	: Accommodation facilities, Retail , Shopping centres

Lighting specifications

Average lamp life (h)	: L80B10 50.000
Lamp description	: LED 1400lm 12W 3000K
Nominal lumens on thermal regime	: 1400
Efficiency L.O.R. (%)	: 73
Delivered lumens (lm)	: 1022
Lamp wattage (W)	: 12
Color temperature (K)	: 3000

Physical Specifications

Body	: Die-cast aluminium
Finishes	: Polyester painted
Reflector	: Mirror-metallized thermoplastic material
Closing Screen	: Clear polycarbonate
Thermal Dissipation	: Passive

Electrical Specifications

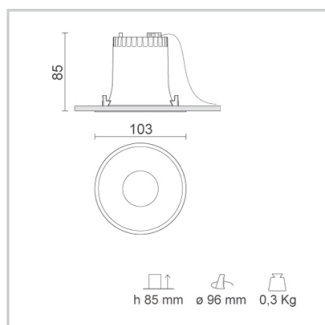
Glow wire (°C)	: 850
Driver	: Separate item
Driver mounting	: Remote

Weight and Dimensions

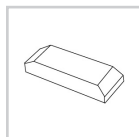
Shape	: Round
External diameter (mm)	: 103
False ceiling thickness (mm)	: 1-30
Height (mm)	: 85
Cutout shape	: Round
Cutout Diameter (mm)	: 96
Recessed depth (mm)	: 85
Weight (Kg)	: 0.3

Optical Specifications


Aiming	: Fixed
Light distribution	: Symmetric
Light emission	: Direct
Light beam	: 26°
Unified Glare Rating (U.G.R.)	: <16



Drivers



Product Code : 81-04010
 Name : Driver 350mA dimmable on the mains

Lamps	Lamp categories	Lamp type	Lamp wattage (W)	Nominal lumens on thermal regime (lm)	Color temperature (K)	Color rendering (CRI)
	LED	COB LED	12	1400	3000	90

Pictures and Applications

