

## RA 14 DIXIT LED



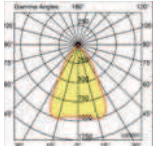
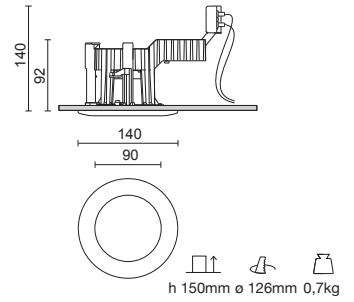
21 Bianco mat  
Mat white

52 Metal  
Silver

Codice Code	LED Lumen	Product Lumen	Watt	Colour T (K)	CRI	Fascio Beam
Corpo e anello in pressofusione di alluminio - Body and bezel in die-cast aluminium Schermo di chiusura in vetro temperato (4mm) - Tempered safety glass (4mm) Ottiche in termoplastico metallizzato - Optics in metallized thermoplastic material						
<b>243-250BN</b>	3400	2924	26			
	4250	3655	33	3000	85	60°
	4900	4214	38			
<b>243-250AN</b>	3500	3100	26			
	4400	3748	33	4000	85	60°
	5000	4300	38			
<b>243-259BN</b>	2850	2451	26			
	3500	3010	33	3000	90	60°
	4000	3440	38			

Con emergenza 3h (su richiesta). **LED driver incluso.**  
With 3h emergency (on demand). **LED driver included.**

<b>243-25E2</b>	4900	4214	38	3000	85	60°
-----------------	------	------	----	------	----	-----



60°

CE IP44 IK08

Driver da ordinare separatamente Drivers should be ordered separately		<b>81-04012</b>	26 W	Output 700mA
		<b>81-04013</b>	33 W	Output 900mA
		<b>81-04013</b>	38 W	Output 1050mA
		<b>81-04014</b>	38 W	Output 1050mA - Dimmerabile DALI - Dali dimmable



**28-3403**

Cornice quadra con vetro trasparente 140x140mm  
Square frame with clear glass 140x140mm

21

52



**98-13380-61**

Vetro sabbiato  
Sand blasted glass

