

## GEO INTERNATIONAL PLATES

MILK WHITE



GW 16 422 TB	2 gang
GW 16 423 TB	2+2 horizontal gang
GW 16 424 TB	2+2 vertical gang
GW 16 426 TB	2+2+2 horizontal gang
GW 16 427 TB	2+2+2 vertical gang

IVORY



GW 16 422 TI	2 gang
GW 16 423 TI	2+2 horizontal gang
GW 16 424 TI	2+2 vertical gang
GW 16 426 TI	2+2+2 horizontal gang
GW 16 427 TI	2+2+2 vertical gang

TITANIUM



GW 16 422 VT	2 gang
GW 16 423 VT	2+2 horizontal gang
GW 16 424 VT	2+2 vertical gang
GW 16 426 VT	2+2+2 horizontal gang
GW 16 427 VT	2+2+2 vertical gang

TONER BLACK



GW 16 422 TN	2 gang
GW 16 423 TN	2+2 horizontal gang
GW 16 424 TN	2+2 vertical gang
GW 16 426 TN	2+2+2 horizontal gang
GW 16 427 TN	2+2+2 vertical gang

HEMP



GW 16 422 TC	2 gang
GW 16 423 TC	2+2 horizontal gang
GW 16 424 TC	2+2 vertical gang
GW 16 426 TC	2+2+2 horizontal gang
GW 16 427 TC	2+2+2 vertical gang

SLATE







GW 16 422 VA	2 gang
GW 16 423 VA	2+2 horizontal gang
GW 16 424 VA	2+2 vertical gang
GW 16 426 VA	2+2+2 horizontal gang
GW 16 427 VA	2+2+2 vertical gang

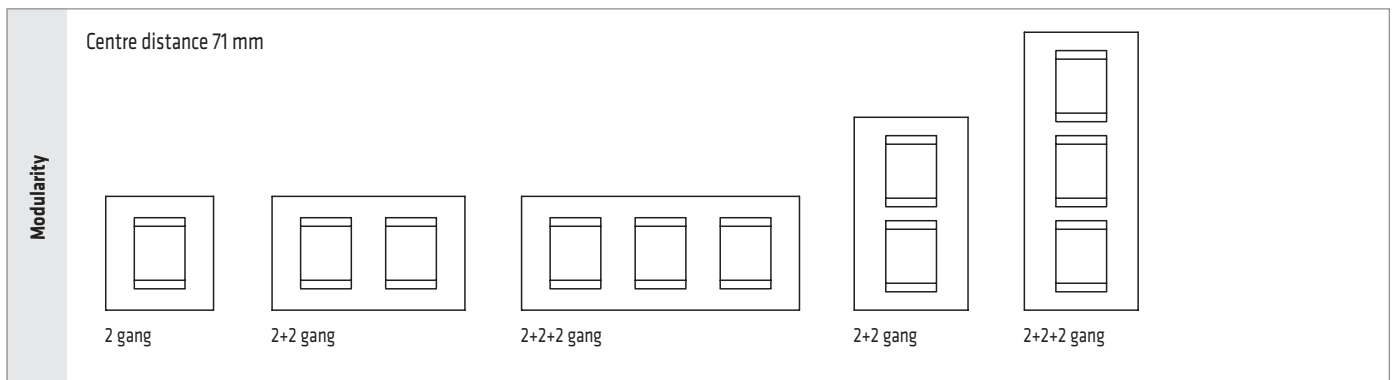
Technopolymer

Painted technopolymer

**GEO INTERNATIONAL PLATES**

Metallised technopolymer	<b>CHROME</b>		<b>GOLD</b>	
	GW 16 422 MC	2 gang	GW 16 422 MO	2 gang
	GW 16 423 MC	2+2 horizontal gang	GW 16 423 MO	2+2 horizontal gang
	GW 16 424 MC	2+2 vertical gang	GW 16 424 MO	2+2 vertical gang
	GW 16 426 MC	2+2+2 horizontal gang	GW 16 426 MO	2+2+2 horizontal gang
	GW 16 427 MC	2+2+2 vertical gang	GW 16 427 MO	2+2+2 vertical gang

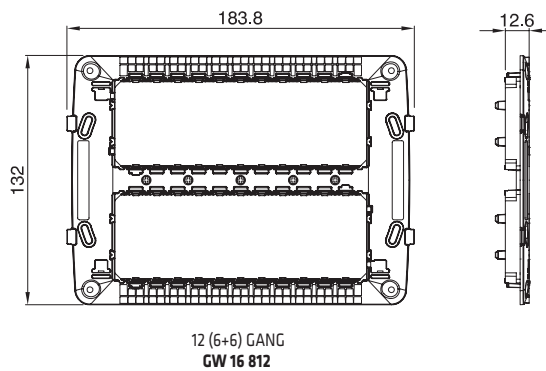
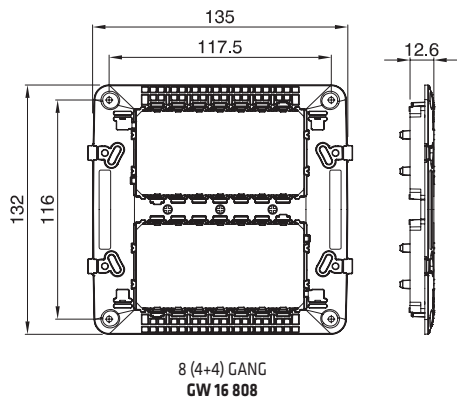
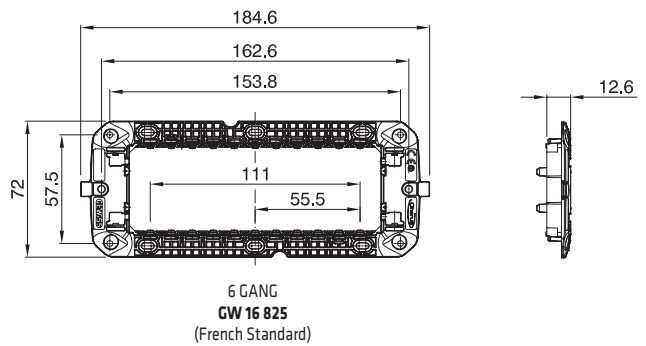
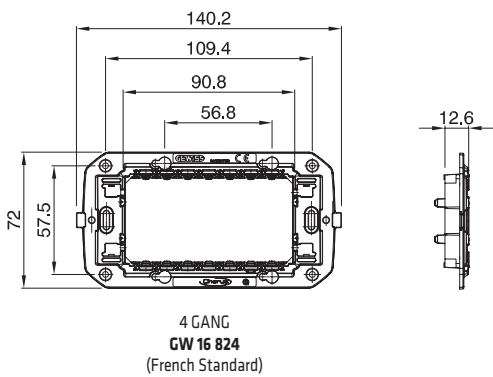
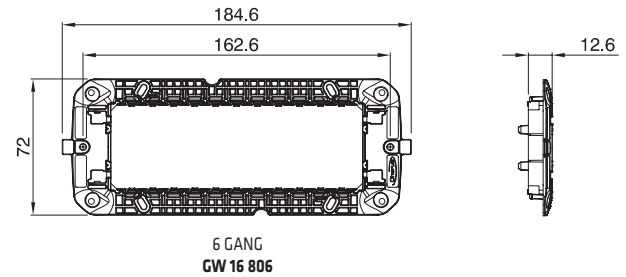
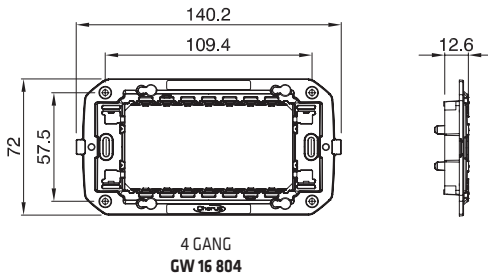
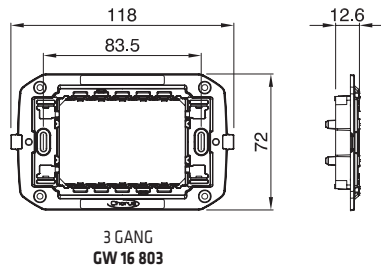
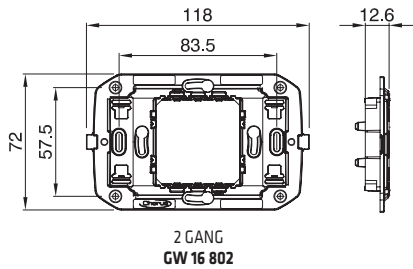
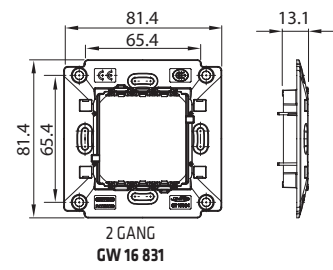
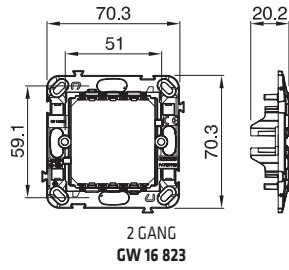
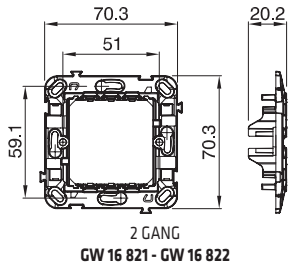
Painted technopolymer - Pastel colours	<b>RUBY</b>		<b>SEA BLUE</b>	
	GW 16 422 VR	2 gang	GW 16 422 VB	2 gang
	GW 16 423 VR	2+2 horizontal gang	GW 16 423 VB	2+2 horizontal gang
	GW 16 424 VR	2+2 vertical gang	GW 16 424 VB	2+2 vertical gang
	GW 16 426 VR	2+2+2 horizontal gang	GW 16 426 VB	2+2+2 horizontal gang
	GW 16 427 VR	2+2+2 vertical gang	GW 16 427 VB	2+2+2 vertical gang



# Chorus

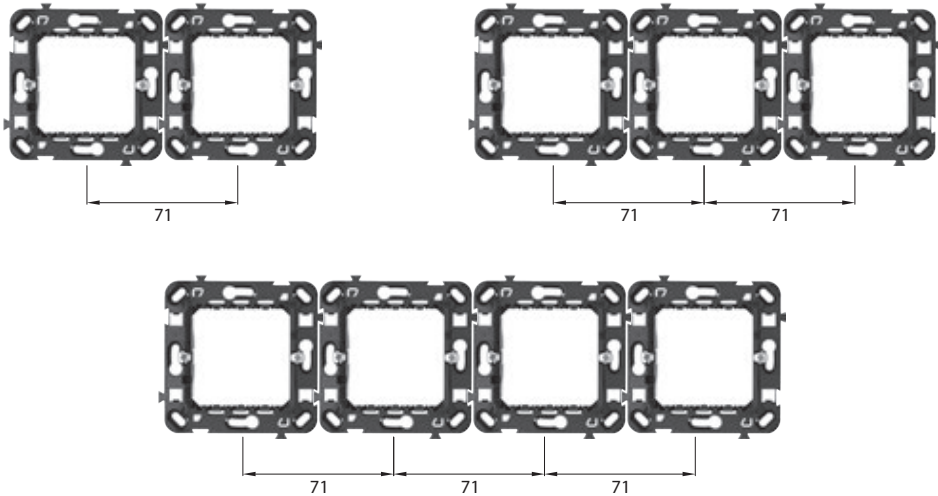
## Dimension tables

### SUPPORTS

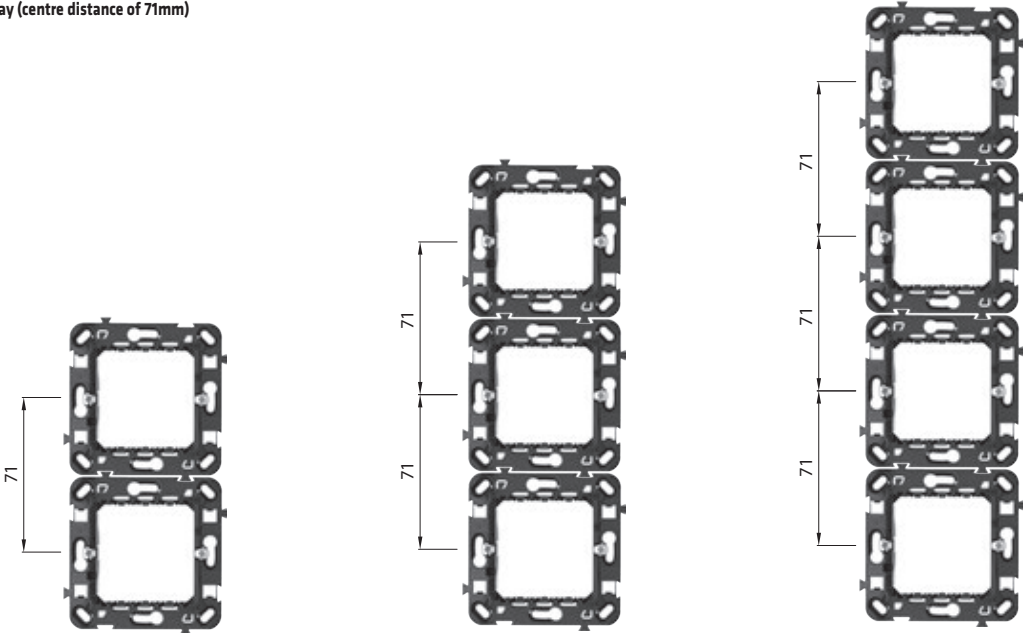


ARRAY OF SUPPORTS FOR INTERNATIONAL PLATES

Horizontal array (centre distance of 71mm)

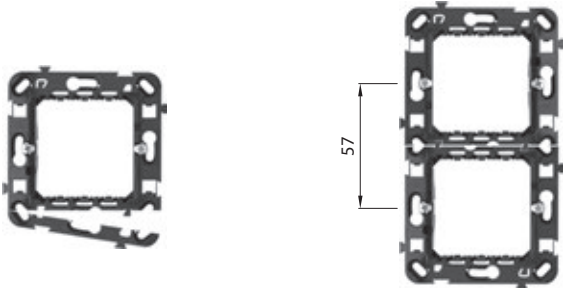


Vertical array (centre distance of 71mm)

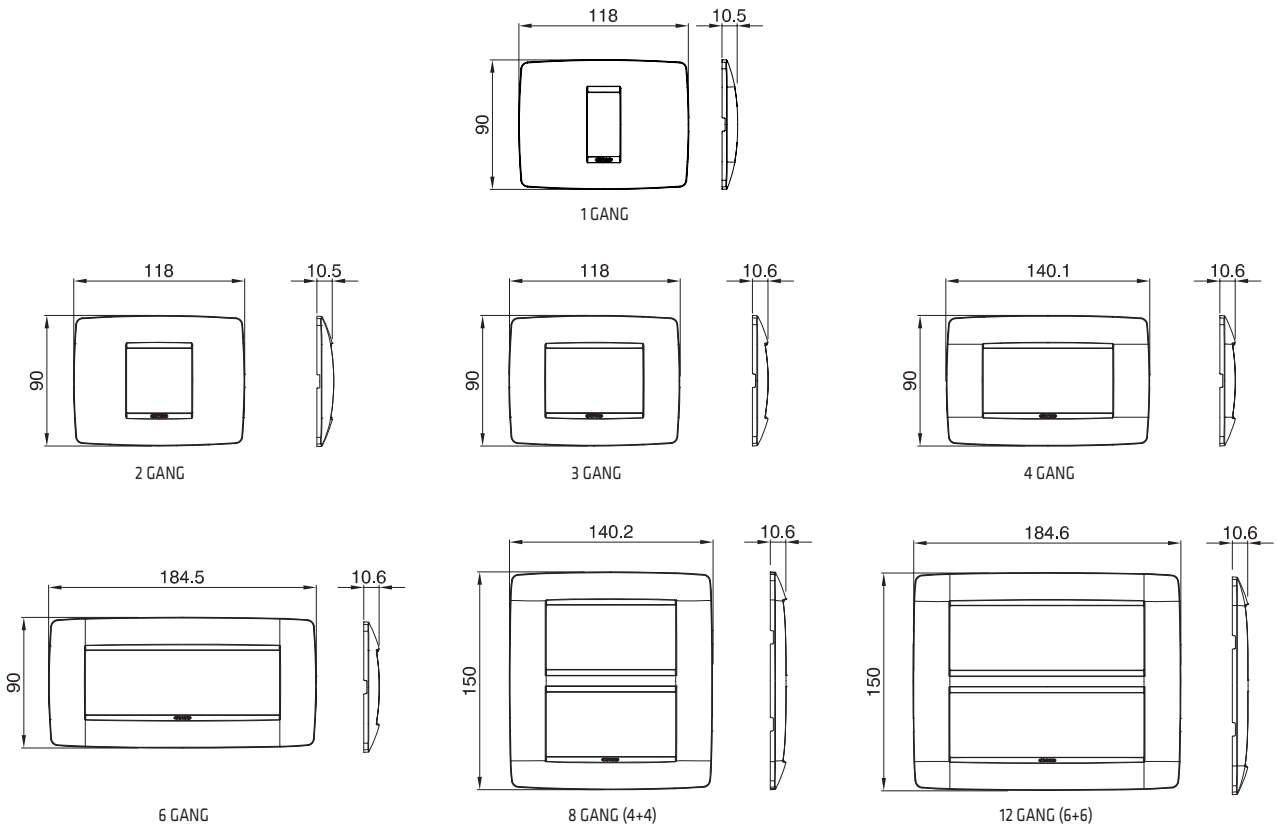


Vertical array (centre distance of 57mm)

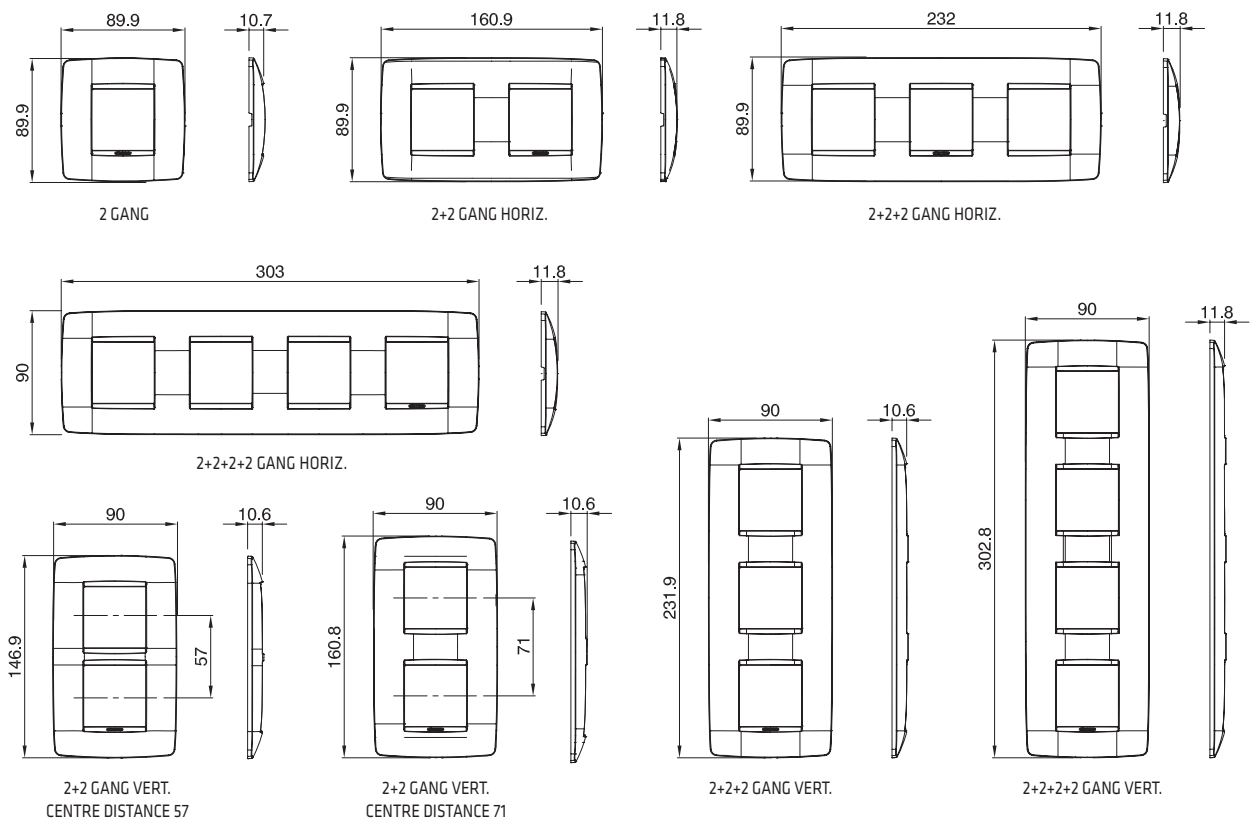
The square supports GW 16 821, GW 16 822, GW 16 823, thank to the knockouts, can be also put side by side with a centre distance of 57mm.

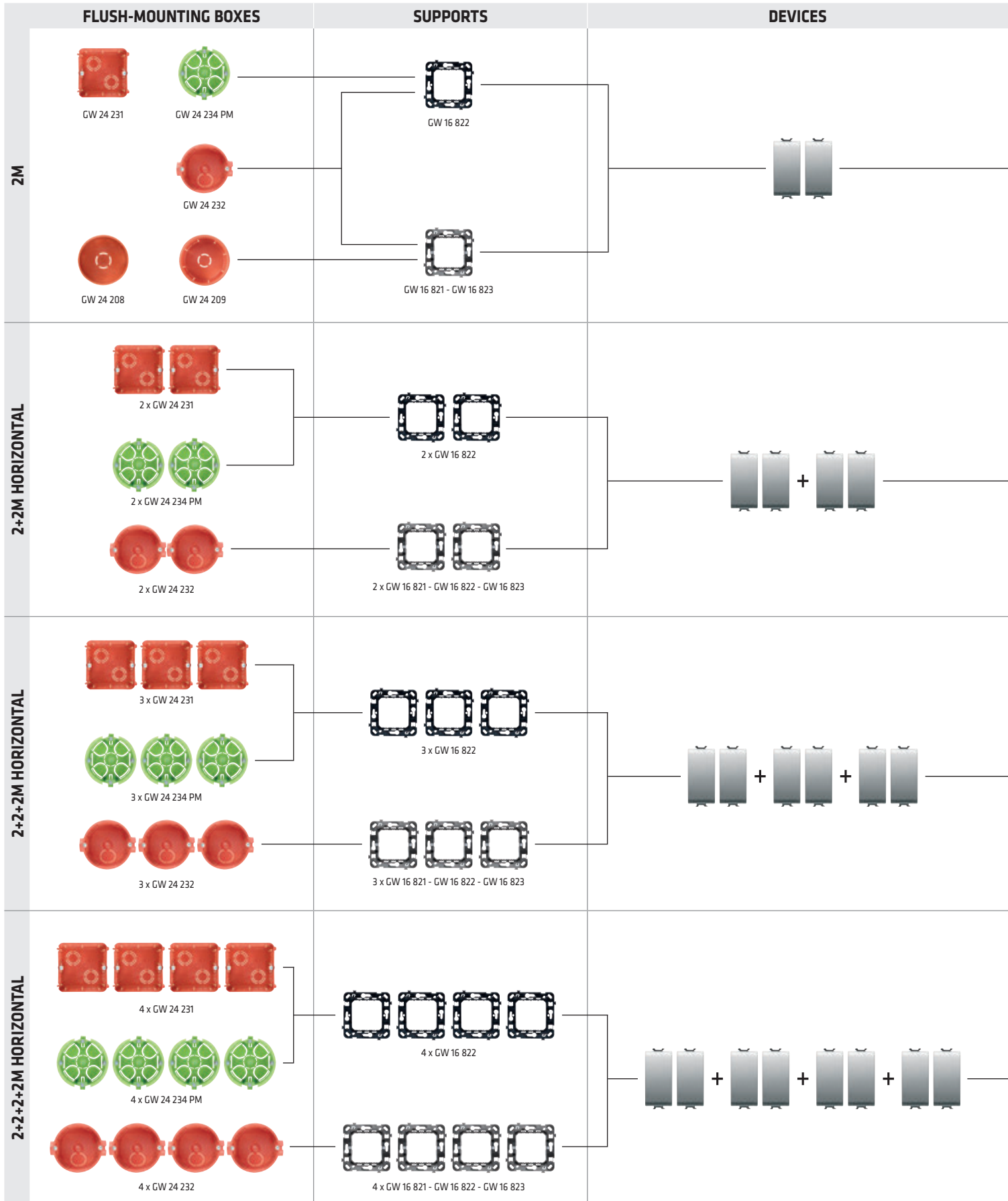


**ONE PLATES**



**ONE INTERNATIONAL PLATES**





**PLATES**

**ONE  
INTERNATIONAL**



GW 16 122 xx

**GEO  
INTERNATIONAL**



GW 16 422 xx

**LUX  
INTERNATIONAL**



GW 16 222 xx

**ONE  
INTERNATIONAL**



GW 16 123 xx

**GEO  
INTERNATIONAL**



GW 16 423 xx

**LUX  
INTERNATIONAL**



GW 16 223 xx

**ONE  
INTERNATIONAL**



GW 16 126 xx

**GEO  
INTERNATIONAL**



GW 16 426 xx

**LUX  
INTERNATIONAL**



GW 16 226 xx

**ONE  
INTERNATIONAL**

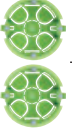


GW 16 128 xx

**LUX  
INTERNATIONAL**



GW 16 228 xx

	FLUSH-MOUNTING BOXES	SUPPORTS	DEVICES
<b>2+2M VERTICAL 57MM</b>	 <p>GW 24 282 PM</p>	 <p>2 x GW 16 822 (*)</p> <p><i>(*) Couple two supports GW 16 822 vertically by breaking off the removable wings on each one.</i></p>	
<b>2+2M VERTICAL</b>	 <p>2 x GW 24 231</p>  <p>2 x GW 24 234 PM</p>  <p>2 x GW 24 232</p>	 <p>2 x GW 16 822</p>  <p>2 x GW 16 821 - GW 16 822 - GW 16 823</p>	
<b>2+2+2M VERTICAL</b>	 <p>3 x GW 24 231</p>  <p>3 x GW 24 234 PM</p>  <p>3 x GW 24 232</p>	 <p>3 x GW 16 822</p>  <p>3 x GW 16 821 - GW 16 822 - GW 16 823</p>	
<b>2+2+2+2M VERTICAL</b>	 <p>4 x GW 24 231</p>  <p>4 x GW 24 234 PM</p>  <p>4 x GW 24 232</p>	 <p>4 x GW 16 822</p>  <p>4 x GW 16 821 - GW 16 822 - GW 16 823</p>	



**PLATES**

**ONE  
INTERNATIONAL**



GW 16 125 TB

**LUX  
INTERNATIONAL**



GW 16 225 TB

**ONE  
INTERNATIONAL**



GW 16 124 xx

**GEO  
INTERNATIONAL**



GW 16 424 xx

**LUX  
INTERNATIONAL**



GW 16 224 xx

**ONE  
INTERNATIONAL**



GW 16 127 xx

**GEO  
INTERNATIONAL**



GW 16 427 xx

**LUX  
INTERNATIONAL**



GW 16 227 xx

**ONE  
INTERNATIONAL**



GW 16 129 xx

**LUX  
INTERNATIONAL**



GW 16 229 xx