

Product code	Color
262-049BN-21	Mat white

General Specifications

Product type	: Downlights
Mounting type	: Ceiling - recessed
Description	: Fixed downlight designed for COB LEDs with Dim to Warm technology for managing the colour temperature through the regulation of the luminous intensity. The value of the lumens refers to the maximum dimming. The rearward optic guarantees a high visual comfort. LED drivers should be ordered separately.
Indoor/outdoor lights	: Indoor
Applications	: Hospitality, Residential, Showrooms

Lighting specifications

Average lamp life (h)	: L80B10 50.000
Lamp description	: LED 1130lm 12W 1800-2700K CRI 90
Nominal lumens on thermal regime	: 1130
Efficiency L.O.R. (%)	: 58
Delivered lumens (lm)	: 656
Lamp wattage (W)	: 12
Color temperature (K)	: 1800 - 2700K Dim to Warm

Physical Specifications

Body	: Die-cast aluminium
Finishes	: Polyester painted
Reflector	: Mirror-metallized thermoplastic material
Closing Screen	: Clear polycarbonate
Thermal Dissipation	: Passive

Electrical Specifications

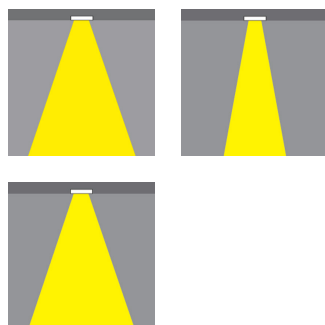
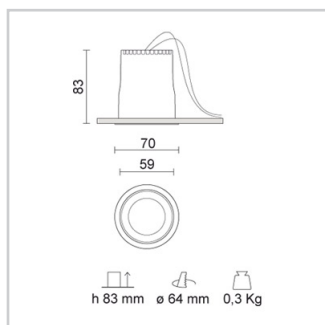
Glow wire (°C)	: 850
Driver	: Separate item
Driver mounting	: Remote

Weight and Dimensions

Shape	: Round
External diameter (mm)	: 70
False ceiling thickness (mm)	: 1-30
Height (mm)	: 83
Cutout shape	: Round
Cutout Diameter (mm)	: 64
Recessed depth (mm)	: 83
Weight (Kg)	: 0.3

Optical Specifications

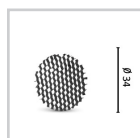
Aiming	: Fixed
Light distribution	: Symmetric
Light emission	: Direct
Light beam	: 38°
Note	: Satined gold snoot code 28-4039-100. White snoot code 28-4039-31. Honeycomb code 28-4022-30 (to be used with the included closing screen). Prismatic spread lens code 28-4065-47 (to be used instead of the included closing screen). 21°, 28° (mirror metallized) optics are available on demand.
Unified Glare Rating (U.G.R.)	: <3



ACCESSORIES



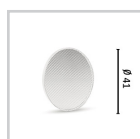
Product Code : 28-4039-100
 Name : Satined gold snout
 Finish : Satined gold painted
 Shape : Round



Product Code : 28-4022-30
 Name : Honeycomb
 Finish : Black painted
 Shape : Round
 Notes : To be used only with the included closing screen.



Product Code : 28-4039-31
 Name : White snout



Product Code : 28-4065-47
 Name : Prismatic spread lens
 Shape : Round

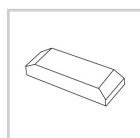


Product Code : 28-3901F-51
 Name : Professional optic device 21°
 Finish : Mirror metallized
 Beam : 21°
 Shape : Round



Product Code : 28-3902F-51
 Name : Professional optic device 28°
 Finish : Mirror metallized
 Beam : 28°
 Shape : Round

Drivers



Product Code : 81-04003
 Name : Driver 350mA DALI dimmable

Lamps

Lamp categories	Lamp wattage (W)	Nominal lumens on thermal regime (lm)	Color temperature (K)	Color rendering (CRI)
-----------------	------------------	---------------------------------------	-----------------------	-----------------------

LED	12	1130	1800 - 2700K Dim to Warm	90
-----	----	------	--------------------------	----

Pictures and Applications

