



Product code	Color
262-039CN-21	Mat white

General Specifications

Product type	: Downlights
Mounting type	: Ceiling - recessed
Description	: Fixed downlight designed for COB LEDs, featuring a rearward optic for a high visual comfort. Inner snoot in black thermoplastic material. LED drivers should be ordered separately, the wattage of the fittings changes depending on the selected driver.
Indoor/outdoor lights	: Indoor
Applications	: Hospitality, Residential, Showrooms

Lighting specifications

Average lamp life (h)	: L80B10 50.000
Lamp description	: LED 1430lm 12W 2700K CRI90
Nominal lumens on thermal regime	: 1430
Efficiency L.O.R. (%)	: 58
Delivered lumens (lm)	: 830
Lamp wattage (W)	: 12
Color temperature (K)	: 2700

Physical Specifications

Body	: Die-cast aluminium
Finishes	: Polyester painted
Reflector	: Mirror-metallized thermoplastic material
Closing Screen	: Clear polycarbonate
Thermal Dissipation	: Passive

Electrical Specifications

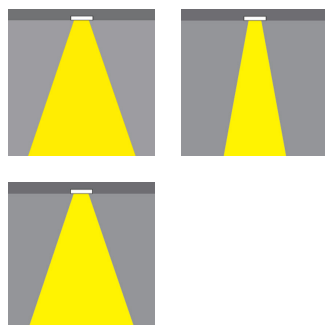
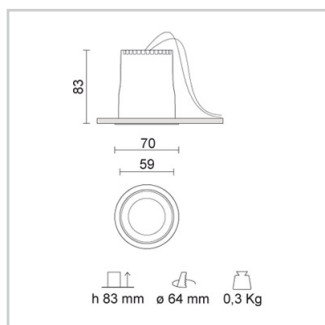
Glow wire (°C)	: 850
Driver	: Separate item
Driver mounting	: Remote

Weight and Dimensions

Shape	: Round
External diameter (mm)	: 70
False ceiling thickness (mm)	: 1-30
Height (mm)	: 83
Cutout shape	: Round
Cutout Diameter (mm)	: 64
Recessed depth (mm)	: 83
Weight (Kg)	: 0.3

Optical Specifications

Aiming	: Fixed
Light distribution	: Symmetric
Light emission	: Direct
Light beam	: 38°
Note	: Satined gold snoot code 28-4039-100. White snoot code 28-4039-31. Honeycomb code 28-4022-30 (to be used with the included closing screen). Prismatic spread lens code 28-4065-47 (to be used instead of the included closing screen). 21°, 28° (mirror metallized) optics are available on demand.
Unified Glare Rating (U.G.R.)	: <3



ACCESSORIES



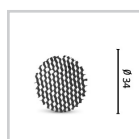
Product Code : 28-4039-100
 Name : Satined gold snout
 Finish : Satined gold painted
 Shape : Round



Product Code : 28-3901-51
 Name : Professional optic device 21°
 Finish : Mirror metallized
 Beam : 21°
 Shape : Round



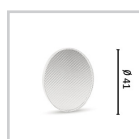
Product Code : 28-3902-51
 Name : Professional optic device 28°
 Finish : Mirror metallized
 Beam : 28°
 Shape : Round



Product Code : 28-4022-30
 Name : Honeycomb
 Finish : Black painted
 Shape : Round
 Notes : To be used only with the included closing screen.

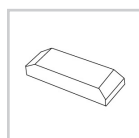


Product Code : 28-4039-31
 Name : White snout



Product Code : 28-4065-47
 Name : Prismatic spread lens
 Shape : Round

Drivers



Product Code : 81-04003
 Name : Driver 350mA DALI dimmable

Lamps

Lamp categories	Lamp type	Lamp wattage (W)	Nominal lumens on thermal regime (lm)	Color temperature (K)	Color rendering (CRI)
-----------------	-----------	------------------	---------------------------------------	-----------------------	-----------------------

LED	COB LED	12	1430	2700	90
-----	---------	----	------	------	----

Pictures and Applications

