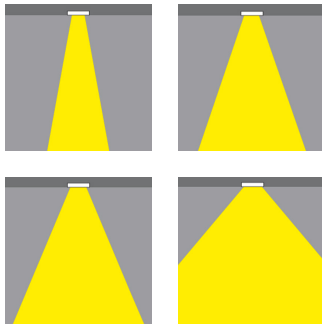
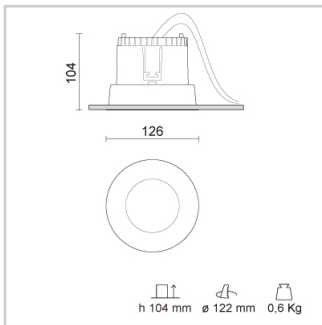



RA 11 TL DIXIT LED 3000K
Design: Studio Tecnico Ivela


Product code	Color
257-200BN-21	Mat white

General Specifications

Product type	: Downlights
Mounting type	: Ceiling - recessed
Description	: Trimless downlight for diffused lighting, designed for the last generation of COB LEDs. LED drivers should be ordered separately; the wattage of the fittings changes depending on the selected driver. Protection rating IP43. Low glare levels UGR < 19.
Indoor/outdoor lights	: Indoor
Applications	: Offices, Retail , Shopping centres

Lighting specifications

Average lamp life (h)	: L80B10 50.000
Lamp description	: LED 1700lm 12W 3000K
Nominal lumens on thermal regime	: 1700
Efficiency L.O.R. (%)	: 89
Delivered lumens (lm)	: 1513
Lamp wattage (W)	: 12
Color temperature (K)	: 3000

Physical Specifications

Body	: Die-cast aluminium
Finishes	: Polyester painted
Reflector	: Mirror-metallized thermoplastic material
Closing Screen	: Clear polycarbonate
Thermal Dissipation	: Passive

Electrical Specifications

Glow wire (°C)	: 850
Driver	: Separate item
Driver mounting	: Remote

Weight and Dimensions

Shape	: Round
External diameter (mm)	: 126
False ceiling thickness (mm)	: 1-30
Height (mm)	: 104
Cutout shape	: Round
Cutout Diameter (mm)	: 122
Recessed depth (mm)	: 104
Weight (Kg)	: 0.6

Optical Specifications

Aiming	: Fixed
Light distribution	: Symmetric
Light emission	: Direct
Light beam	: 55°
Note	: 18°, 30° (mirror metallized), 70° (white) optics and honeycomb are available on demand.
Unified Glare Rating (U.G.R.)	: <19

ACCESSORIES



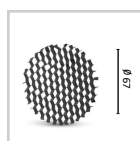
Product Code : 28-3142-51
 Name : Professional optic device 30°
 Finish : Mirror metallized
 Shape : Round



Product Code : 28-3141-31
 Name : Professional optic device 70°
 Finish : White
 Shape : Round

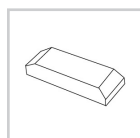


Product Code : 28-3140-51
 Name : Professional optic device 18° (included diffuser)
 Finish : Mirror metallized
 Shape : Round




Product Code : 28-4019-30
 Name : Honeycomb
 Finish : Black painted
 Shape : Round

Drivers



Product Code : 81-04010
 Name : Driver 350mA dimmable on the mains

Lamps	Lamp categories	Lamp type	Lamp wattage (W)	Nominal lumens on thermal regime (lm)	Color temperature (K)	Color rendering (CRI)
	LED	COB LED	12	1700	3000	85

Pictures and Applications

