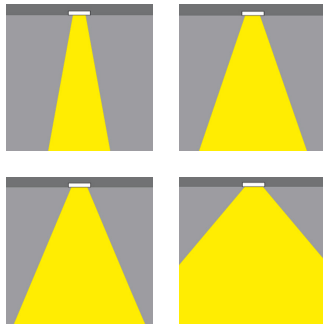
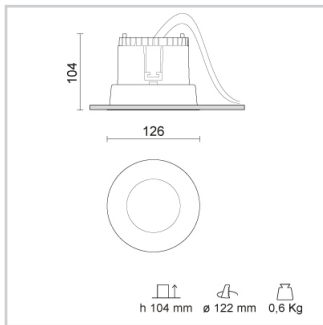



RA 11 TL DIXIT LED 3000K
Design: Studio Tecnico Ivela


Product code	Color
257-200BN-21	Mat white

General Specifications

Product type	: Downlights
Mounting type	: Ceiling - recessed
Description	: Trimless downlight for diffused lighting, designed for the last generation of COB LEDs. LED drivers should be ordered separately; the wattage of the fittings changes depending on the selected driver. Protection rating IP43. Low glare levels UGR < 19.
Indoor/outdoor lights	: Indoor
Applications	: Offices, Retail , Shopping centres

Lighting specifications

Average lamp life (h)	: L80B10 50.000
Lamp description	: LED 2750lm 21W 3000K
Nominal lumens on thermal regime	: 2750
Efficiency L.O.R. (%)	: 89
Delivered lumens (lm)	: 2448
Lamp wattage (W)	: 21
Color temperature (K)	: 3000

Physical Specifications

Body	: Die-cast aluminium
Finishes	: Polyester painted
Reflector	: Mirror-metallized thermoplastic material
Closing Screen	: Clear polycarbonate
Thermal Dissipation	: Passive

Electrical Specifications

Glow wire (°C)	: 850
Driver	: Separate item
Driver mounting	: Remote

Weight and Dimensions

Shape	: Round
External diameter (mm)	: 126
False ceiling thickness (mm)	: 1-30
Height (mm)	: 104
Cutout shape	: Round
Cutout Diameter (mm)	: 122
Recessed depth (mm)	: 104
Weight (Kg)	: 0.6

Optical Specifications

Aiming	: Fixed
Light distribution	: Symmetric
Light emission	: Direct
Light beam	: 55°
Note	: 18°, 30° (mirror metallized), 70° (white) optics and honeycomb are available on demand.
Unified Glare Rating (U.G.R.)	: <19

ACCESSORIES



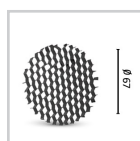
Product Code : 28-3142-51
 Name : Professional optic device 30°
 Finish : Mirror metallized
 Shape : Round



Product Code : 28-3141-31
 Name : Professional optic device 70°
 Finish : White
 Shape : Round

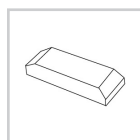


Product Code : 28-3140-51
 Name : Professional optic device 18° (included diffuser)
 Finish : Mirror metallized
 Shape : Round



Product Code : 28-4019-30
 Name : Honeycomb
 Finish : Black painted
 Shape : Round

Drivers



Product Code : 81-04022
 Name : Driver 600mA
 description : Driver 600mA.

Lamps	Lamp categories	Lamp type	Lamp wattage (W)	Nominal lumens on thermal regime (lm)	Color rendering (CRI)
-------	-----------------	-----------	------------------	---------------------------------------	-----------------------



LED	COB LED	21	2750	85
-----	---------	----	------	----

Pictures and Applications

