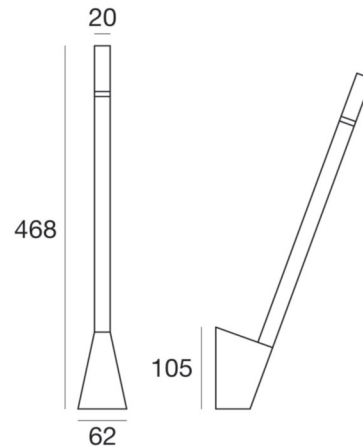


Snake_W3



Wall Lights | 220-240 V | topLED 2,0 W 500 mA | CRI 90
7226



Technical data	
Designer	Linea Light
Type	Surface
Installation position	Wall lights
Installation environment	Indoor
Light Source	LED
Optics	General Lighting
Light emission direction	frontal
Power	2 W
Luminous flux (source)	200 lm
Frequency	50 - 60 Hz
CCT / Tone	3000 K
Colour rendering index	90 Ra
Safety class	1
IP	IP40
Glow wire test	850°
Direct mounting on normally flammable surfaces	Yes
CE	Yes
ETL	No
Fire Rated (BS 476 PT21 compliant)	No
Driver included	Driver
Induction	No
Emergency mode	No
Motion sensor	No
Directional	Swivelling
total angle (vertical plane)	360 °
total angle (horizontal plane)	360 °
Tilting	No
Walk-over	No
Drive-over	No
Cable included	No
Resin potting	No
Type of light emission	Single emission
Net weight	0.450 Kg

Finishing casing	
Material	Aluminium
Colour	embossed white RAL 9003
Processing	Coating
Finishing diffuser	
Material	PC
Colour	white
Processing	Satin finishing

Wall Lights | 220-240 V | topLED 2,0 W 500 mA | CRI 90
7226

Single emission wall lights for indoor application. The warm white LED light source with a general lighting light distribution is composed of 1 powered LEDs with CCT of 3000 K and a CRI 90; the source luminous flux is 200 lm, with a 100.0 lm/W nominal luminous efficacy.

The device body is made of aluminium and features a embossed white ral 9003 finish, processed by means of coating; the diffuser is made of PC with a satin finishing treatment; the mounting frame is made of aluminium, with a embossed white ral 9003 finish, processed by means of coating. The ingress protection degree is IP40; the total weight is of 0.450 kg.

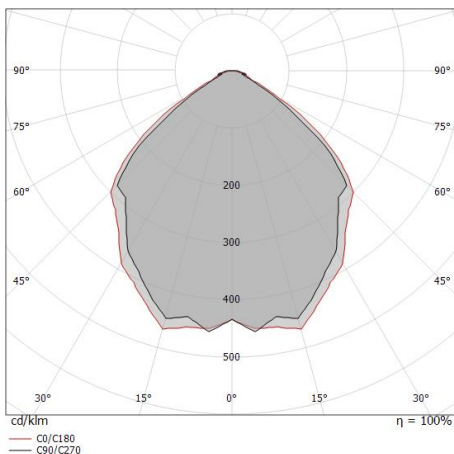
The total absorbed power is 2,0 W.

The device features protection class I and can be wall lights-mounted.

Illuminotechnical Features	
Light Output Ratio (LOR)	57 %
Luminous flux (source)	200 lm
Luminaire luminous flux	116 lm
Consumption	1,9 W
Luminaire efficacy	61 lm/W
Colour temperature	3000 K
Standard Deviation of Colour Matching	3 Step MacAdam
Colour rendering index	90 Ra

UGR	
X=4H Y=8H	S=0.25H
Reflection factor	70/50/20
UGR transversal	< 28
UGR axial	< 28

OPTICAL	
Light distribution simmetry	Symmetrical 2
C0/C180 optics	102°
C90/C270 optics	99°



Distance [m]	Cone diameter [m]	Illuminance [lx]	E(0°)	E(C90)	E(C0)
0.5	1.18 1.23	203 29 27	49.7°	51.0°	27
1.0	2.36 2.47	51 7 7	49.7°	51.0°	7
1.5	3.54 3.70	23 3 3	49.7°	51.0°	3
2.0	4.72 4.94	13 2 2	49.7°	51.0°	2
2.5	5.90 6.17	8 1 1	49.7°	51.0°	1
3.0	7.07 7.41	6 1 1	49.7°	51.0°	1

Distance [m] Cone diameter [m] Illuminance [lx]

— C0/C180 (Half-peak divergence: 102.0°)
— C90/C270 (Half-peak divergence: 99.4°)