


MINIPERFETTO LKM 3000K CRI 90
Design: Studio Tecnico Ivela


Product code	Colour
748-169-21	Mat white
748-169-16	Black
748-169-52	Silver, on demand

General Specifications

Product type	: Spotlights
Mounting type	: LKM 3-phase track
Description	: Spotlight for LKM 3-phase electrified tracks, specially developed for high efficiency COB LEDs. It can rotate up to 350° with respect to the vertical and to the horizontal axis. Joint in die-cast aluminium. Interior anti-glare snoot in black thermoplastic material. Professional optics to get different beam angles and optical devices for a better visual comfort are available as accessories.

Indoor/outdoor lights	: Indoor
Applications	: Hospitality, Museums, Residential, Retail, Showrooms

Lighting specifications

Average lamp life (h)	: 50.000
Lamp description	: LED 1450lm 12W 3000K
Nominal lumens on thermal regime	: 1450
Efficiency L.O.R. (%)	: 72.4
Delivered lumens (lm)	: 1050
Lamp wattage (W)	: 12
Color temperature (K)	: 3000

Physical Specifications

Body	: Die-cast aluminium
Finishes	: Polyester painted
Reflector	: Mirror-metallized thermoplastic material
Thermal Dissipation	: Passive

Electrical Specifications

Glow wire (°C)	: 850
Driver	: Included
Driver mounting	: Integrated
Voltage (V)	: 220/240
Frequency (Hz)	: 50/60

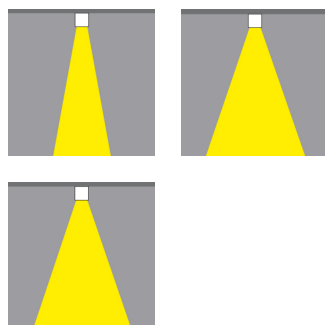
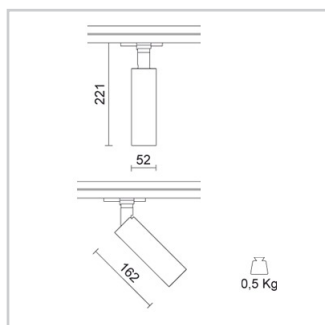
Weight and Dimensions

Shape	: Cylindrical
Length (mm)	: 162
Width (mm)	: 52
Height (mm)	: 221
Weight (Kg)	: 0.5

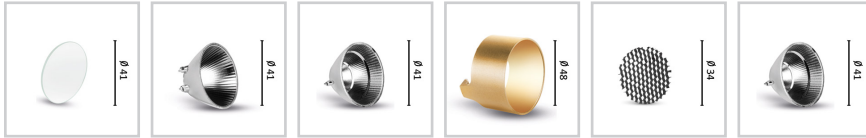
Optical Specifications

Light distribution	: Symmetric
Light emission	: Direct
Light beam	: 30°
Horizontal orientation	: 350°
Note	: Honeycomb code 28-4022-30 to be used only together with screen code 28-3905-47. 24°, 45° (mirror metallized) optics are available on demand.

Unified Glare Rating (U.G.R.)	: <11
-------------------------------	-------



Accessories



28-3905-47
Closing
screen in
thermoplastic


28-3901-51
Professional
optic device
24°

28-3903-51
Professional
optic device
45°

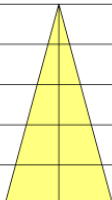
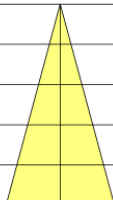
28-3979-100
Satined gold
snoot

28-4022-30
Honeycomb

28-3902-51
Professional
optic device
30°

Lamps	Lamp categories	Lamp type	Lamp wattage (W)	Nominal lumens on thermal regime (lm)	Color rendering (CRI)
	LED	COB LED	12	1450	90

Photometrics

748-1 Gamma Angles 180° 120° 90° 75° 60° 45° 30° 15° 0° 15° 30° cd/Klm	MINIPERFETTO 12W 1450 lm 3000K				Alpha=30°	R:100%				Beta=30°	I.Max:2907 Cd/Klm			
	H[m]	D[m]	Max lux	Med lux		H[m]	D[m]	Max lux	Med lux		H[m]	D[m]	Max lux	Med lux
	1.00	0.54	3111	1890		1.00	0.54	3111	1890		1.00	0.54	3111	1890
	2.00	1.08	778	472		2.00	1.08	778	472		2.00	1.08	778	472
	3.00	1.62	346	210		3.00	1.62	346	210		3.00	1.62	346	210
	4.00	2.16	194	118		4.00	2.16	194	118		4.00	2.16	194	118
	5.00	2.71	124	76		5.00	2.71	124	76		5.00	2.71	124	76

Pictures and Applications

