



Product code	Colour
717-161A-16	Black
717-161A-52	Silver, on demand
717-161A-21	Mat white

### General Specifications

Product type	: Spotlights
Mounting type	: LKM 3-phase track
Description	: Compact spotlight for electrified tracks, specially developed for high efficiency COB LED sources of the last generation. Body in die-cast aluminium without visible screws, with a front part in clear polycarbonate, rear painted for a brighter finish.

Indoor/outdoor lights	: Indoor
Applications	: Museums, Retail ,Shops, Showrooms

### Lighting specifications

Average lamp life (h)	: 50.000
Lamp description	: LED 2450lm 18W 4000K
Nominal lumens on thermal regime	: 2450
Efficiency L.O.R. (%)	: 89
Delivered lumens (lm)	: 2180
Lamp wattage (W)	: 18
Color temperature (K)	: 4000

### Physical Specifications

Body	: Die-cast aluminium
Finishes	: Polyester painted
Reflector	: Mirror-metallized thermoplastic material
Thermal Dissipation	: Passive

### Electrical Specifications

Glow wire (°C)	: 850
Driver	: Included
Driver mounting	: Integrated
Voltage (V)	: 230/240
Frequency (Hz)	: 50/60

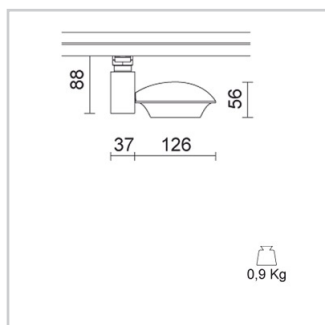
### Weight and Dimensions

Width (mm)	: 163
Height (mm)	: 88
Weight (Kg)	: 0.9

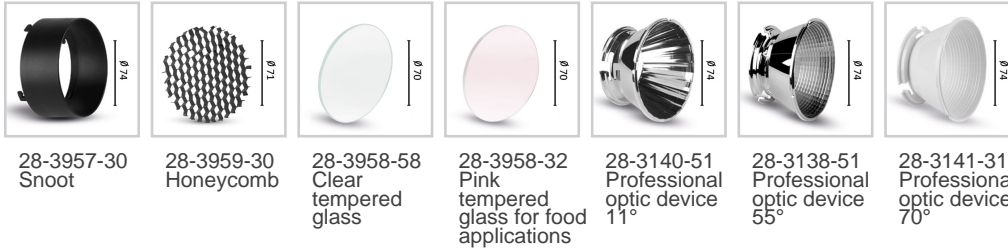
### Optical Specifications


Light distribution	: Symmetric
Light emission	: Direct
Light beam	: 30°
Horizontal orientation	: 350°
Vertical tilt	: 350°
Note	: Honeycomb code 28-3959-30, pink tempered glass for food applications code 28-3958-58, closing screen cod. 28-3958-58 to be used only together with snoot code 28-3957-30. 17°, 55° (mirror metallized), 70° (white) optics are available on demand

Unified Glare Rating (U.G.R.)	: <19
-------------------------------	-------

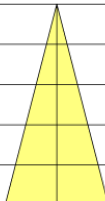
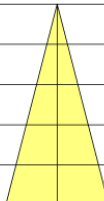


## Accessories



Lamps	Lamp categories	Lamp type	Lamp wattage (W)	Nominal lumens on thermal regime (lm)	Color rendering (CRI)
	LED	COB LED	18	2450	>85

## Photometrics

717-1	MINIKYCLOS LED 18W 2450 lm 4000K				R:100%				I.Max:2389 Cd/Klm					
Gamma Angles	H[m]	D[m]	Max lux	Med lux	Alpha=28°	H[m]	D[m]	Max lux	Med lux	Beta=28°	H[m]	D[m]	Max lux	Med lux
180°	1.00	0.52	5208	3168		1.00	0.52	5208	3168		1.00	0.52	5208	3168
120°	2.00	1.03	1302	792		2.00	1.03	1302	792		2.00	1.03	1302	792
90°	3.00	1.55	579	352		3.00	1.55	579	352		3.00	1.55	579	352
75°	4.00	2.06	325	198		4.00	2.06	325	198		4.00	2.06	325	198
60°	5.00	2.58	208	127		5.00	2.58	208	127		5.00	2.58	208	127
45°														

## Pictures and Applications

