



Product code	Colour
717-261A-21	Mat white
717-261A-16	Black
717-261A-52	Silver, on demand

General Specifications

Product type	: Spotlights
Mounting type	: LKM 3-phase track
Description	: Compact spotlight for electrified tracks, specially developed for high efficiency COB LED sources of the last generation. Body in die-cast aluminium without visible screws, with a front part in clear polycarbonate, rear painted for a brighter finish.

Indoor/outdoor lights	: Indoor
Applications	: Museums, Retail ,Shops, Showrooms

Lighting specifications

Average lamp life (h)	: 50.000
Lamp description	: LED 3400lm 26W 4000K
Nominal lumens on thermal regime	: 3400
Efficiency L.O.R. (%)	: 90,7
Delivered lumens (lm)	: 3084
Lamp wattage (W)	: 26
Color temperature (K)	: 4000

Physical Specifications

Body	: Die-cast aluminium
Finishes	: Polyester painted
Reflector	: Mirror-metallized thermoplastic material
Thermal Dissipation	: Passive

Electrical Specifications

Glow wire (°C)	: 850
Driver	: Included
Driver mounting	: Integrated
Voltage (V)	: 230/240
Frequency (Hz)	: 50/60

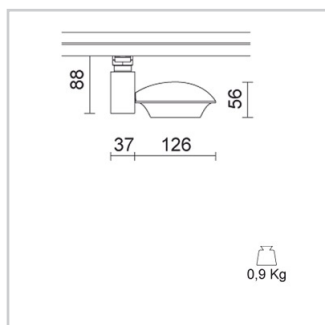
Weight and Dimensions

Width (mm)	: 163
Height (mm)	: 88
Weight (Kg)	: 0.9

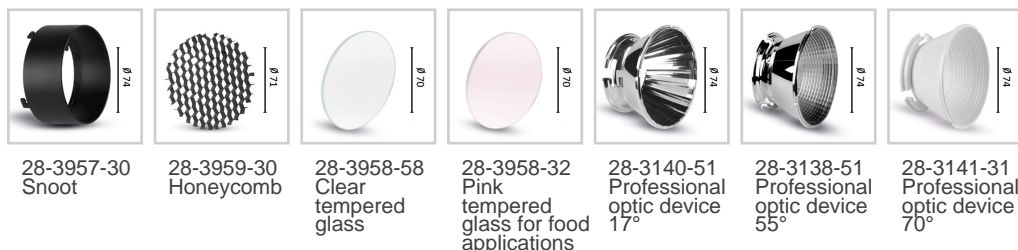
Optical Specifications


Light distribution	: Symmetric
Light emission	: Direct
Light beam	: 30°
Horizontal orientation	: 350°
Vertical tilt	: 350°
Note	: Honeycomb code 28-3959-30, pink tempered glass for food applications code 28-3958-58, closing screen cod. 28-3958-58 to be used only together with snoot code 28-3957-30. 17°, 55° (mirror metallized), 70° (white) optics are available on demand

Unified Glare Rating (U.G.R.)	: <19
-------------------------------	-------



Accessories



Lamps	Lamp categories	Lamp type	Lamp wattage (W)	Nominal lumens on thermal regime (lm)	Color temperature (K)	Color rendering (CRI)	Delivered lumens (lm)
	LED	COB LED	26	3400	3000	85	3084

Pictures and Applications

