


MINIKYCLOS 4000LM 4000K
Design: Enrico Davide Bona and Elisa Nobile


Product code	Colour
717-361A-52	Silver, on demand
717-361A-16	Black
717-361A-21	Mat white

General Specifications

Product type	: Spotlights
Mounting type	: LKM 3-phase track
Description	: Compact spotlight for electrified tracks, specially developed for high efficiency COB LED sources of the last generation. Body in die-cast aluminium without visible screws, with a front part in clear polycarbonate, rear painted for a brighter finish.

Indoor/outdoor lights	: Indoor
Applications	: Museums, Retail ,Shops, Showrooms

Lighting specifications

Average lamp life (h)	: 50.000
Lamp description	: LED 4000lm 27W 4000K
Nominal lumens on thermal regime	: 4000
Efficiency L.O.R. (%)	: 92,6
Delivered lumens (lm)	: 3705
Lamp wattage (W)	: 27
Color temperature (K)	: 4000

Physical Specifications

Body	: Die-cast aluminium
Finishes	: Polyester painted
Reflector	: Mirror-metallized thermoplastic material
Thermal Dissipation	: Passive

Electrical Specifications

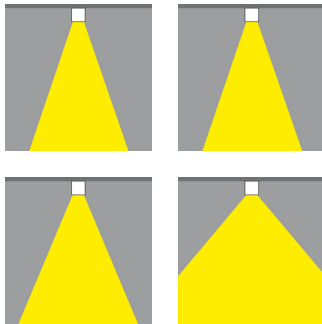
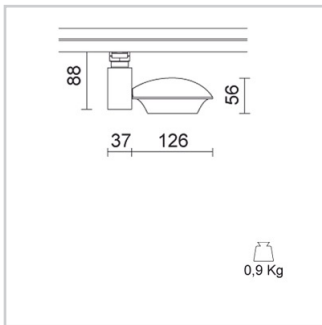
Glow wire (°C)	: 850
Driver	: Included
Driver mounting	: Integrated
Voltage (V)	: 230/240
Frequency (Hz)	: 50/60

Weight and Dimensions

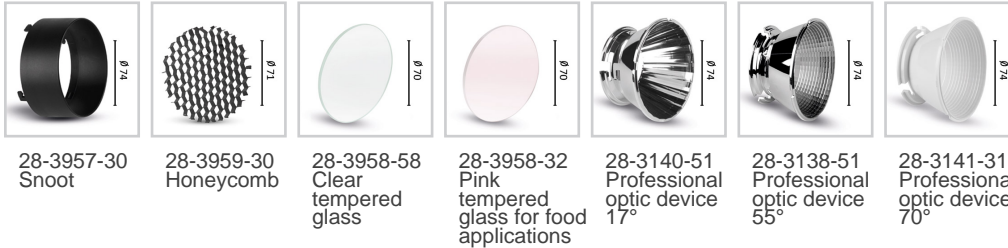
Width (mm)	: 163
Height (mm)	: 88
Weight (Kg)	: 0.9


Optical Specifications

Light distribution	: Symmetric
Light emission	: Direct
Light beam	: 30°
Horizontal orientation	: 350°
Vertical tilt	: 350°
Note	: 40°, 60° (mirror metallized), 70° (white) optics are available on demand.
Unified Glare Rating (U.G.R.)	: <19

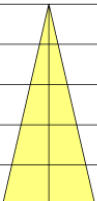


Accessories



Lamps	Lamp categories	Lamp type	Lamp wattage (W)	Nominal lumens on thermal regime (lm)	Color rendering (CRI)
	LED	COB LED	27	4000	85

Photometrics

717-3	MINIKYCLOS LED 27W 4000 lm 4000K				R:100%				I.Max:2735 Cd/Klm						
Gamma Angles	H[m]	D[m]	Max lux	Med lux	Alpha=26°	H[m]	D[m]	Max lux	Med lux	Beta=26°	H[m]	D[m]	Max lux	Med lux	
180°	1.00	0.46	9737	6303		180°	1.00	0.46	9737	6303	180°	1.00	0.46	9737	6303
120°	2.00	0.92	2434	1576		120°	2.00	0.92	2434	1576	120°	2.00	0.92	2434	1576
90°	3.00	1.39	1082	700		90°	3.00	1.39	1082	700	90°	3.00	1.39	1082	700
75°	4.00	1.85	609	394		75°	4.00	1.85	609	394	75°	4.00	1.85	609	394
60°	5.00	2.31	389	252		60°	5.00	2.31	389	252	60°	5.00	2.31	389	252
45°						45°					45°				
30°						30°					30°				

Pictures and Applications

