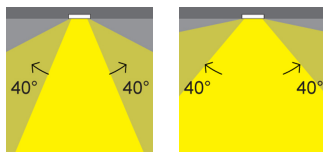
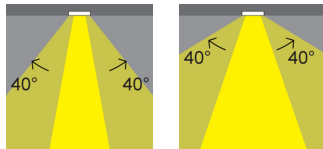
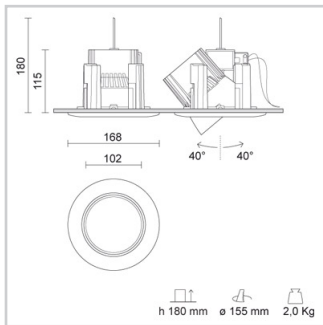




RA 17 DIXIT LED ADJUSTABLE 33W 3000K

Design: Studio Tecnico Ivela



Product code	Color
248-230BN-21	Mat white

General Specifications

Product type	: Downlights
Mounting type	: Ceiling - recessed
Description	: Adjustable downlight, designed for the last generation of COB LEDs. It grants a perfect control of the light beam and an excellent colour rendering. LED drivers should be ordered separately, the wattage of the fitting changes depending on the selected driver. Optics for different beams are also available.
Indoor/outdoor lights	: Indoor
Applications	: Retail ,Shopping centres

Lighting specifications

Average lamp life (h)	: L80B10 50.000
Lamp description	: LED 4250lm 33W 3000K
Nominal lumens on thermal regime	: 4250
Efficiency L.O.R. (%)	: 88,7
Delivered lumens (lm)	: 3770
Lamp wattage (W)	: 33
Color temperature (K)	: 3000

Physical Specifications

Body	: Die-cast aluminium
Finishes	: Polyester painted
Reflector	: Mirror-metallized thermoplastic material
Closing Screen	: Clear polycarbonate
Thermal Dissipation	: Passive
Ring	: Die-cast aluminium

Electrical Specifications

Glow wire (°C)	: 850
Driver	: Separate item
Driver mounting	: Remote

Weight and Dimensions

Shape	: Round
External diameter (mm)	: 168
False ceiling thickness (mm)	: 1-30
Height (mm)	: 115
Cutout shape	: Round
Cutout Diameter (mm)	: 155
Recessed depth (mm)	: 180
Weight (Kg)	: 2

Optical Specifications

Aiming	: Adjustable
Light distribution	: Symmetric
Light emission	: Direct
Light beam	: 30°
Horizontal orientation	: +/- 40°
Temperature max (°C)	: 35
Note	: 17°, 55° (mirror metallized), 70° (white) optics are available on demand.

ACCESSORIES



Product Code : 28-3140-51
 Name : Professional optic device 17° (included diffuser)
 Finish : Mirror metallized
 Shape : Round

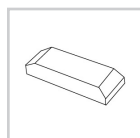


Product Code : 28-3138-51
 Name : Professional optic device 55°
 Finish : Mirror metallized
 Shape : Round




Product Code : 28-3141-31
 Name : Professional optic device 70°
 Finish : White
 Shape : Round

Drivers



Product Code : 81-04015
 Name : Driver 900mA
 description : Driver 900mA

Lamps

	Lamp categories	Lamp type	Lamp wattage (W)	Nominal lumens on thermal regime (lm)	Color temperature (K)	Color rendering (CRI)
	LED	COB LED	33	4250	3000	85

Pictures and Applications

