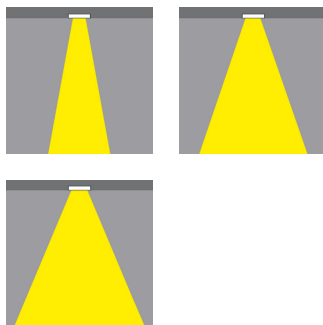
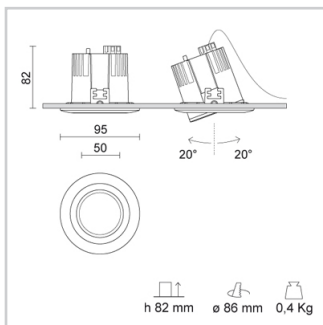




## RA 8 DIXIT LED ADJUSTABLE 4000K

Design: Studio Tecnico Ivela



### Product code

239-250AN-21

### Color

Mat white

### General Specifications

Product type : Downlights  
 Mounting type : Ceiling - recessed  
 Description : Recessed adjustable downlight, designed for the last generation of COB LEDs. LED drivers should be ordered separately, the wattage of the fittings changes depending on the selected driver. Low glare level: UGR < 19.

Indoor/outdoor lights : Indoor  
 Applications : Accommodation facilities, Residential, Shopping centres, Showrooms

### Lighting specifications

Average lamp life (h) : L80B10 50.000  
 Lamp description : LED 1300lm 9W 4000K  
 Nominal lumens on thermal regime : 1300  
 Efficiency L.O.R. (%) : 87,7  
 Delivered lumens (lm) : 1140  
 Lamp wattage (W) : 9  
 Color temperature (K) : 4000

### Physical Specifications

Body : Die-cast aluminium  
 Finishes : Polyester painted  
 Closing Screen : Clear polycarbonate  
 Thermal Dissipation : Passive  
 Ring : Die-cast aluminium

### Electrical Specifications

Glow wire (°C) : 850  
 Driver : Separate item  
 Driver mounting : Remote

### Weight and Dimensions

Shape : Round  
 External diameter (mm) : 95  
 False ceiling thickness (mm) : 1-30  
 Height (mm) : 82  
 Cutout shape : Round  
 Cutout Diameter (mm) : 86  
 Recessed depth (mm) : 82  
 Weight (Kg) : 0.4

### Optical Specifications

Aiming : Adjustable  
 Light distribution : Symmetric  
 Light emission : Direct  
 Light beam : 26°  
 Horizontal orientation : +/- 20°  
 Note : 45° (mirror metallized), 65° (white) optics are available on demand.  
 Unified Glare Rating (U.G.R.) : < 19

## ACCESSORIES



Product Code : 28-3868-51  
 Name : Professional optic device 50°  
 Finish : Mirror metallized  
 Beam : 50°  
 Shape : Round

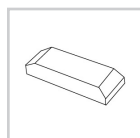


Product Code : 28-3868-31  
 Name : Professional optic device 65°  
 Finish : White  
 Beam : 65°  
 Shape : Round



Product Code : 28-3868-51  
 Name : Professional optic device 45°  
 Finish : Mirror metallized  
 Beam : 45°  
 Shape : Round

## Drivers



Product Code : 81-04009  
 Name : Driver 250mA

Lamps	Lamp categories	Lamp wattage (W)	Nominal lumens on thermal regime (lm)	Color temperature (K)	Color rendering (CRI)
-------	-----------------	------------------	---------------------------------------	-----------------------	-----------------------



LED	9	1300	4000	85
-----	---	------	------	----

## Pictures and Applications

