



## RA 8 DIXIT LED ADJUSTABLE 4000K

Design: Studio Tecnico Ivela



Product code	Color
239-250AN-21	Mat white

### General Specifications

Product type	: Downlights
Mounting type	: Ceiling - recessed
Description	: Recessed adjustable downlight, designed for the last generation of COB LEDs. LED drivers should be ordered separately, the wattage of the fittings changes depending on the selected driver. Low glare level: UGR < 19.
Indoor/outdoor lights	: Indoor
Applications	: Accommodation facilities, Residential, Shopping centres, Showrooms

### Lighting specifications

Average lamp life (h)	: L80B10 50.000
Lamp description	: LED 1700lm 12W 4000K
Nominal lumens on thermal regime	: 1700
Efficiency L.O.R. (%)	: 87,7
Delivered lumens (lm)	: 1491
Lamp wattage (W)	: 12
Color temperature (K)	: 4000

### Physical Specifications

Body	: Die-cast aluminium
Finishes	: Polyester painted
Closing Screen	: Clear polycarbonate
Thermal Dissipation	: Passive
Ring	: Die-cast aluminium

### Electrical Specifications

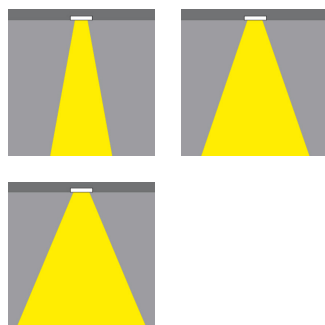
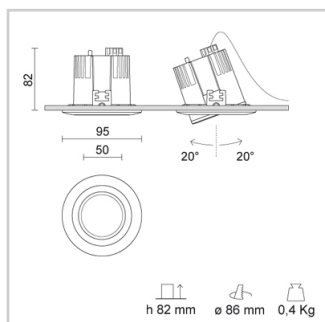
Glow wire (°C)	: 850
Driver	: Separate item
Driver mounting	: Remote

### Weight and Dimensions

Shape	: Round
External diameter (mm)	: 95
False ceiling thickness (mm)	: 1-30
Height (mm)	: 82
Cutout shape	: Round
Cutout Diameter (mm)	: 86
Recessed depth (mm)	: 82
Weight (Kg)	: 0.4

### Optical Specifications

Aiming	: Adjustable
Light distribution	: Symmetric
Light emission	: Direct
Light beam	: 26°
Horizontal orientation	: +/- 20°
Note	: 45° (mirror metallized), 65° (white) optics are available on demand.
Unified Glare Rating (U.G.R.)	: < 19



## ACCESSORIES



Product Code : 28-3868-51  
 Name : Professional optic device 50°  
 Finish : Mirror metallized  
 Beam : 50°  
 Shape : Round

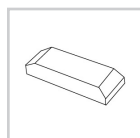


Product Code : 28-3868-31  
 Name : Professional optic device 65°  
 Finish : White  
 Beam : 65°  
 Shape : Round




Product Code : 28-3868-51  
 Name : Professional optic device 45°  
 Finish : Mirror metallized  
 Beam : 45°  
 Shape : Round

## Drivers



Product Code : 81-04010  
 Name : Driver 350mA dimmable on the mains

Lamps	Lamp categories	Lamp type	Lamp wattage (W)	Nominal lumens on thermal regime (lm)	Color temperature (K)	Color rendering (CRI)
	LED	COB LED	12	1700	4000	85

## Pictures and Applications

