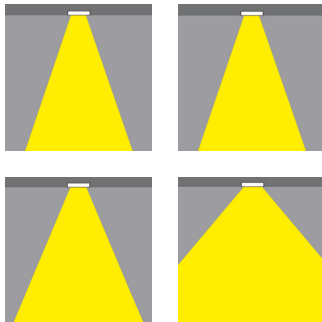
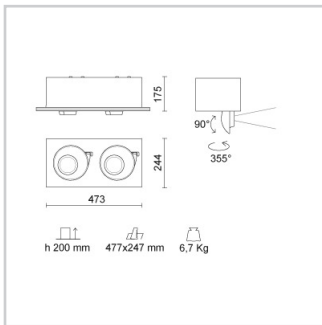




KYCLOS-TL 4000K TWIN LIGHT

Design: Enrico Davide Bona and Elisa Nobile



| Product code | Color |
|--------------|-------|
| 528-521AN-16 | Black |

General Specifications

| | |
|-----------------------|---|
| Product type | : Downlights |
| Mounting type | : Ceiling - recessed |
| Description | : Kyclos-TL is a recessed tiltable spotlight in twin-light version without decorative frame, for the last generation of COB LEDs. Recessed body in steel, painted in black. Front closing screen in clear polycarbonate, painted on the rear for a brighter effect, with no visible screws. LED drivers should be ordered separately, the wattage of the fittings changes, depending on the selected driver. 2 LED drivers should be ordered. |
| Indoor/outdoor lights | : Indoor |
| Applications | : Contract sector, Display areas, Shops, Showrooms |

Lighting specifications

| | |
|----------------------------------|------------------------|
| Average lamp life (h) | : L80B10 50.000 |
| Lamp description | : LED 7000lm 51W 4000K |
| Nominal lumens on thermal regime | : 7000 |
| Efficiency L.O.R. (%) | : 85,3 |
| Delivered lumens (lm) | : 5971 |
| Lamp wattage (W) | : 51 |
| Color temperature (K) | : 4000 |

Physical Specifications

| | |
|-----------|--|
| Body | : Die-cast aluminium |
| Finishes | : Polyester painted |
| Reflector | : Mirror-metallized thermoplastic material |

Electrical Specifications

| | |
|-----------------|-----------------|
| Glow wire (°C) | : 850 |
| Driver | : Separate item |
| Driver mounting | : Remote |

Weight and Dimensions

| | |
|---------------------|---------------|
| Length (mm) | : 473 |
| Width (mm) | : 244 |
| Height (mm) | : 175 |
| Cutout shape | : Rectangular |
| Cutout Length (mm) | : 477 |
| Recessed depth (mm) | : 200 |
| Weight (Kg) | : 6.7 |

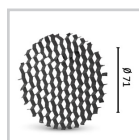
Optical Specifications

| | |
|------------------------|---|
| Aiming | : Multidirectional |
| Light distribution | : Symmetric |
| Light emission | : Direct |
| Light beam | : 25° |
| Horizontal orientation | : 355° |
| Vertical tilt | : 90° |
| Note | : Honeycomb code 28-3959-30, clear tempered glass code 28-3958-58, pink tempered glass for food application code 28-3958-32, to be used only together with screen code 28-3905-47. 40°, 60° (mirror metallized) and 70° (white) optics are available on demand. |

ACCESSORIES



Product Code : 28-3957-30
 Name : Snoot
 Shape : Round



Product Code : 28-3959-30
 Name : Honeycomb
 Finish : Black painted
 Shape : Round
 Notes : To be used only with snoot (28-3957-30)



Product Code : 28-3958-58
 Name : Clear tempered glass
 Shape : Round
 Notes : To be used only with snoot (28-3957-30)



Product Code : 28-3141-31
 Name : Professional optic device 70°
 Finish : White
 Shape : Round

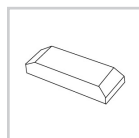


Product Code : 28-3142-51
 Name : Professional optic device 40°
 Finish : Mirror metallized
 Shape : Round




Product Code : 28-3138-51
 Name : Professional optic device 60°
 Finish : Mirror metallized
 Shape : Round

Drivers



Product Code : 81-04004
 Name : Driver 1400mA
 description : Driver 1400mA

| Lamps | Lamp categories | Lamp type | Lamp wattage (W) | Nominal lumens on thermal regime (lm) | Color temperature (K) | Color rendering (CRI) |
|--|-----------------|-----------|------------------|---------------------------------------|-----------------------|-----------------------|
|  | LED | COB LED | 51 | 7000 | 4000 | 85 |

Pictures and Applications

