



## KYCLOS-TL 3000K TWIN LIGHT

Design: Enrico Davide Bona and Elisa Nobile



### Product code

528-521BN-16

### Color

Black

### General Specifications

Product type	: Downlights
Mounting type	: Ceiling - recessed
Description	: Kyclos-TL is a recessed tiltable spotlight in twin-light version without decorative frame, for the last generation of COB LEDs. Recessed body in steel, painted in black. Front closing screen in clear polycarbonate, painted on the rear for a brighter effect, with no visible screws. LED drivers should be ordered separately, the wattage of the fittings changes, depending on the selected driver. 2 LED drivers should be ordered.
Indoor/outdoor lights	: Indoor
Applications	: Contract sector, Display areas, Shops, Showrooms

### Lighting specifications

Average lamp life (h)	: L80B10 50.000
Lamp description	: LED 6800lm 51W 3000K
Nominal lumens on thermal regime	: 6800
Efficiency L.O.R. (%)	: 85,3
Delivered lumens (lm)	: 5800
Lamp wattage (W)	: 51
Color temperature (K)	: 3000

### Physical Specifications

Body	: Die-cast aluminium
Finishes	: Polyester painted
Reflector	: Mirror-metallized thermoplastic material

### Electrical Specifications

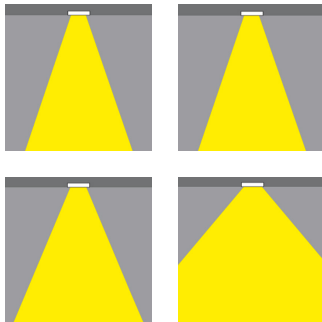
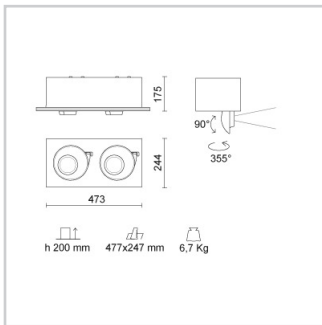
Glow wire (°C)	: 850
Driver	: Separate item
Driver mounting	: Remote

### Weight and Dimensions

Length (mm)	: 473
Width (mm)	: 244
Height (mm)	: 175
Cutout shape	: Rectangular
Cutout Length (mm)	: 477
Recessed depth (mm)	: 200
Weight (Kg)	: 6.7

### Optical Specifications

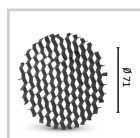
Aiming	: Multidirectional
Light distribution	: Symmetric
Light emission	: Direct
Light beam	: 25°
Horizontal orientation	: 355°
Vertical tilt	: 90°
Note	: Honeycomb code 28-3959-30, clear tempered glass code 28-3958-58, pink tempered glass for food application code 28-3958-32, to be used only together with screen code 28-3905-47. 40°, 60° (mirror metallized) and 70° (white) optics are available on demand.



## ACCESSORIES



Product Code : 28-3957-30  
 Name : Snoot  
 Shape : Round



Product Code : 28-3959-30  
 Name : Honeycomb  
 Finish : Black painted  
 Shape : Round  
 Notes : To be used only with snoot (28-3957-30)



Product Code : 28-3958-58  
 Name : Clear tempered glass  
 Shape : Round  
 Notes : To be used only with snoot (28-3957-30)



Product Code : 28-3141-31  
 Name : Professional optic device 70°  
 Finish : White  
 Shape : Round

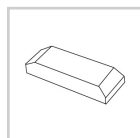


Product Code : 28-3142-51  
 Name : Professional optic device 40°  
 Finish : Mirror metallized  
 Shape : Round




Product Code : 28-3138-51  
 Name : Professional optic device 60°  
 Finish : Mirror metallized  
 Shape : Round

## Drivers



Product Code : 81-04004  
 Name : Driver 1400mA  
 description : Driver 1400mA

Lamps	Lamp categories	Lamp type	Lamp wattage (W)	Nominal lumens on thermal regime (lm)	Color temperature (K)	Color rendering (CRI)
	LED	COB LED	51	6800	3000	85

## Pictures and Applications

