



KYCLOS-TL 3000K TWIN LIGHT

Design: Enrico Davide Bona and Elisa Nobile



Product code

528-521BN-16

Color

Black

General Specifications

Product type	: Downlights
Mounting type	: Ceiling - recessed
Description	: Kyclos-TL is a recessed tiltable spotlight in twin-light version without decorative frame, for the last generation of COB LEDs. Recessed body in steel, painted in black. Front closing screen in clear polycarbonate, painted on the rear for a brighter effect, with no visible screws. LED drivers should be ordered separately, the wattage of the fittings changes, depending on the selected driver. 2 LED drivers should be ordered.
Indoor/outdoor lights	: Indoor
Applications	: Contract sector, Display areas, Shops, Showrooms

Lighting specifications

Average lamp life (h)	: L80B10 50.000
Lamp description	: LED 2x5300lm 2x36W 3000K
Nominal lumens on thermal regime	: 5300
Efficiency L.O.R. (%)	: 85,3
Delivered lumens (lm)	: 4521
Lamp wattage (W)	: 36
Color temperature (K)	: 3000

Physical Specifications

Body	: Die-cast aluminium
Finishes	: Polyester painted
Reflector	: Mirror-metallized thermoplastic material

Electrical Specifications

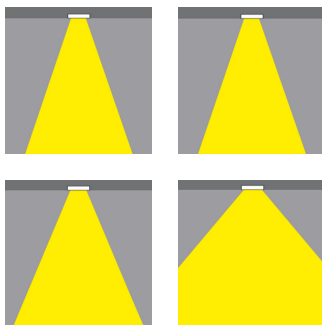
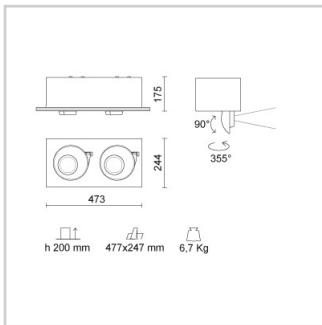
Glow wire (°C)	: 850
Driver	: Separate item
Driver mounting	: Remote

Weight and Dimensions

Length (mm)	: 473
Width (mm)	: 244
Height (mm)	: 175
Cutout shape	: Rectangular
Cutout Length (mm)	: 477
Recessed depth (mm)	: 200
Weight (Kg)	: 6.7

Optical Specifications

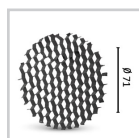
Aiming	: Multidirectional
Light distribution	: Symmetric
Light emission	: Direct
Light beam	: 25°
Horizontal orientation	: 355°
Vertical tilt	: 90°
Note	: Honeycomb code 28-3959-30, clear tempered glass code 28-3958-58, pink tempered glass for food application code 28-3958-32, to be used only together with screen code 28-3905-47. 40°, 60° (mirror metallized) and 70° (white) optics are available on demand.



ACCESSORIES



Product Code : 28-3957-30
 Name : Snoot
 Shape : Round



Product Code : 28-3959-30
 Name : Honeycomb
 Finish : Black painted
 Shape : Round
 Notes : To be used only with snoot (28-3957-30)



Product Code : 28-3958-58
 Name : Clear tempered glass
 Shape : Round
 Notes : To be used only with snoot (28-3957-30)



Product Code : 28-3141-31
 Name : Professional optic device 70°
 Finish : White
 Shape : Round

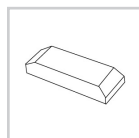


Product Code : 28-3142-51
 Name : Professional optic device 40°
 Finish : Mirror metallized
 Shape : Round



Product Code : 28-3138-51
 Name : Professional optic device 60°
 Finish : Mirror metallized
 Shape : Round

Drivers



Product Code : 81-04013
 Name : Driver 1050mA

Lamps

Lamp categories	Lamp type	Lamp wattage (W)	Nominal lumens on thermal regime (lm)	Color temperature (K)	Color rendering (CRI)
-----------------	-----------	------------------	---------------------------------------	-----------------------	-----------------------

LED	COB LED	36	5300	3000	85
-----	---------	----	------	------	----

Pictures and Applications

