



Product code	Colour
743-161-21	Mat white
743-161-16	Black
743-161-52	Silver, on demand

### General Specifications

Product type	: Spotlights
Mounting type	: LKM 3-phase track
Description	: Spotlight for electrified tracks, specially developed for high efficiency COB LEDs. It can rotate up to 350° with respect to the vertical and to the horizontal axis.

Indoor/outdoor lights	: Indoor
Applications	: Museums, Retail ,Shopping centres, Showrooms

### Lighting specifications

Average lamp life (h)	: 50.000
Lamp description	: LED 3100lm 26W 3000K
Nominal lumens on thermal regime	: 3100
Efficiency L.O.R. (%)	: 89
Delivered lumens (lm)	: 2759
Lamp wattage (W)	: 26
Color temperature (K)	: 3000

### Physical Specifications

Body	: Die-cast aluminium
Finishes	: Polyester painted
Reflector	: Mirror-metallized thermoplastic material
Thermal Dissipation	: Passive

### Electrical Specifications

Glow wire (°C)	: 850
Driver	: Included
Driver mounting	: Integrated
Voltage (V)	: 220/240
Frequency (Hz)	: 50/60

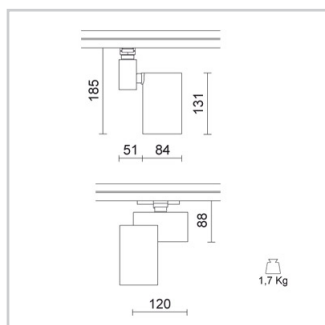
### Weight and Dimensions

Shape	: Cylindrical
Length (mm)	: 120
Height (mm)	: 185
Weight (Kg)	: 1.7

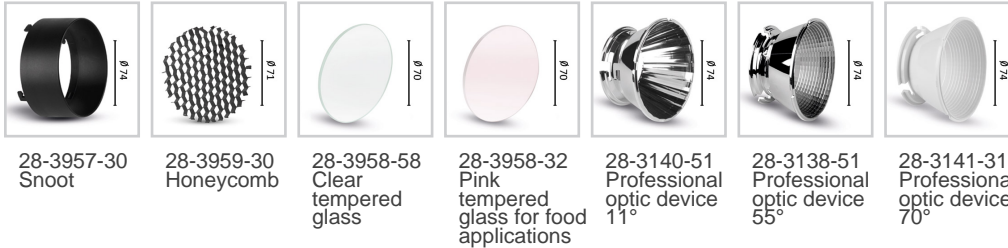
### Optical Specifications


Light distribution	: Symmetric
Light emission	: Direct
Light beam	: 25°
Horizontal orientation	: 350°
Note	: Honeycomb code 28-3959-30, pink tempered glass for food applications code 28-3958-58, closing screen cod. 28-3958-58 to be used only together with snoot code 28-3957-30. 11°, 55° (mirror metallized), 70° (white) optics are available on demand.

Unified Glare Rating (U.G.R.)	: <19
-------------------------------	-------

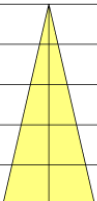
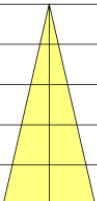


## Accessories



Lamps	Lamp categories	Lamp type	Lamp wattage (W)	Nominal lumens on thermal regime (lm)	Color rendering (CRI)
	LED	COB LED	26	3100	85

## Photometrics

743-1 / 745-1 Gamma Angles 180° 120° 90° 75° 60° 45° 30° 15° 0° 15° 30°	PERFETTO LED 26W 3100 lm				R:100%		I.Max:2764 Cd/Klm			
	H[m]	D[m]	Max lux	Med lux	Alpha=25°	H[m]	D[m]	Max lux	Med lux	Beta=25°
	1.00	0.46	7625	4913		1.00	0.46	7625	4913	
	2.00	0.92	1906	1228		2.00	0.92	1906	1228	
	3.00	1.38	847	546		3.00	1.38	847	546	
	4.00	1.84	477	307		4.00	1.84	477	307	
	5.00	2.30	305	197		5.00	2.30	305	197	

## Pictures and Applications

