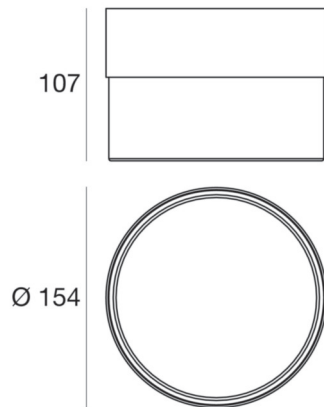




Ceiling Lights | 220-240 V | topLED 15 W 700 mA | CRI 90
90297



Technical data	
Type	Surface
Installation position	Ceiling
Installation environment	Indoor
Light Source	LED
Optics	General Lighting
Light emission direction	downward
Power	15 W
Source lumens	1653 lm
Frequency	50 - 60 Hz
CCT / Tone	3000 K
Colour rendering index	90 Ra
AC / DC	AC
Safety class	1
IP	IP40
Glow wire test	850°
Direct mounting on normally flammable surfaces	Yes
CE	Yes
ETL	No
Fire Rated (BS 476 PT21 compliant)	No
Driver included	Driver
Induction	No
Emergency mode	No
Motion sensor	No
Directional	No
Tilting	No
Walk-over	No
Drive-over	No
Cable included	No
Resin potting	No
Type of light emission	Single emission
Electrostatic discharge protection	No
Surge protection	No

Finishing diffuser	
Material	Glass
Colour	Smoke Black

Ceiling Lights | 220-240 V | topLED 15 W 700 mA | CRI 90 90297

Single emission ceiling lights for indoor application. The warm white LED light source with a general lighting light distribution is composed of 36 topLED LEDs with CCT of 3000 K and a CRI 90; the source luminous flux is 1653 lm, with a 110.2 lm/W nominal luminous efficacy.

The diffuser is made of glass; the mounting frame is made of iron, with an embossed white ral 9003 finish, processed by means of coating. The ingress protection degree is IP40;

The total absorbed power is 15 W.

The device features protection class I and can be ceiling-mounted.

Illuminotechnical Features

Light Output Ratio (LOR)	50 %
Source lumens	1653 lm
Delivered lumens	828 lm
Consumption	15 W
Luminaire efficacy	55 lm/W
Colour temperature	3000 K
Standard Deviation of Colour Matching	3 Step MacAdam
Colour rendering index	90 Ra

LED Life / Failure Ratio

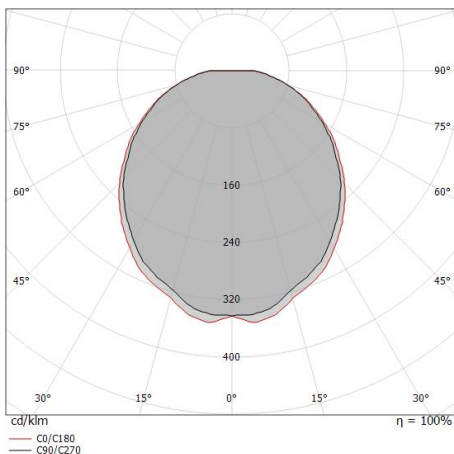
L80 B20 C0 80000h

UGR

X=4H Y=8H	S=0.25H
Reflection factor	70/50/20
UGR transversal	< 25
UGR axial	< 25

OPTICAL

Light distribution simmetry	Symmetrical
C0/C180 optics	109°



Distance [m]	Cone diameter [m]	E(0°)	E(C90)	E(C0)	Illuminance [lx]
0.5	1.41	1133	110	113	
1.0	2.81	283	28	28	
1.5	4.22	126	12	13	
2.0	5.63	71	7	7	
2.5	7.04	45	4	5	
3.0	8.44	31	3	3	

Distance [m] Cone diameter [m] Illuminance [lx]

— C0/C180 (Half-peak divergence: 109.4°)
— C90/C270 (Half-peak divergence: 109.2°)