


MINIKYCLOS 230 WITH BASE 2000LM 3000K
Design: Enrico Davide Bona and Elisa Nobile


Product code	Colour
717-621-52	Silver
717-621-16	Black
717-621-21	Mat white

General Specifications

Product type	: Spotlights
Mounting type	: Ceiling - surface, Wall - surface
Description	: Minikyclos 230 is a compact spotlight with base, equipped with main voltage COB LED, without driver. Minikyclos 230 is dimmable on the mains (230V). Body in die-cast aluminium, with a front part in clear polycarbonate, backpainted for a brighter finish. Accessoried with optics for other beams

Indoor/outdoor lights	: Indoor
Applications	: Museums, Retail ,Shops, Showrooms

Lighting specifications

Average lamp life (h)	: 50.000
Lamp description	: LED 2000lm 19W 3000K
Nominal lumens on thermal regime	: 2000
Efficiency L.O.R. (%)	: 89
Delivered lumens (lm)	: 1780
Lamp wattage (W)	: 19
Color temperature (K)	: 3000

Physical Specifications

Body	: Die-cast aluminium
Finishes	: Polyester painted
Reflector	: Mirror-metallized thermoplastic material
Thermal Dissipation	: Passive

Electrical Specifications

Glow wire (°C)	: 850
Voltage (V)	: 230
Frequency (Hz)	: 50/60

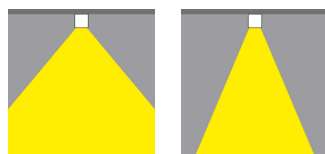
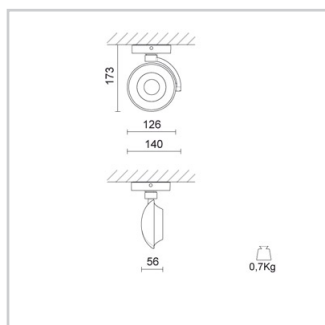
Weight and Dimensions

Width (mm)	: 140
Height (mm)	: 173
Weight (Kg)	: 0.7

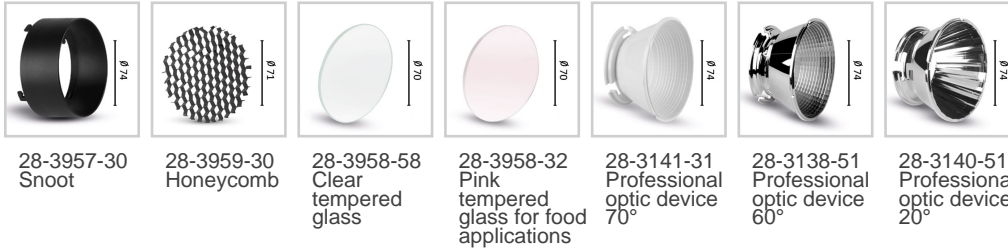
Optical Specifications


Light distribution	: Symmetric
Light emission	: Direct
Light beam	: 38°
Horizontal orientation	: 350°
Vertical tilt	: 350°
Note	: Honeycomb code 28-3959-30, pink tempered glass for food applications code 28-3958-58, closing screen cod. 28-3958-58 to be used only together with snoot code 28-3957-30. 20°, 60° (mirror metallized), 70° (white) optics are available on demand.

Unified Glare Rating (U.G.R.)	: <19
-------------------------------	-------

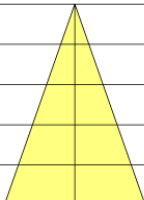
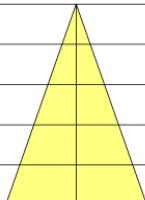


Accessories



Lamps	Lamp categories	Lamp type	Lamp wattage (W)	Nominal lumens on thermal regime (lm)	Color rendering (CRI)
	LED	COB LED	19	2000	80

Photometrics

717-6 Gamma Angles 180° 120° 90° 75° 60° 45° 30° 15° 0° 15° 30° 4000 800 1200 1600 2000 cd/klm	MINIKYCLOS 230 LED 19W 2000 lm 3000/4000K				R:100%		I.Max:1644 Cd/Klm			
	H[m]	D[m]	Max lux	Med lux	Alpha=38°	H[m]	D[m]	Max lux	Med lux	Beta=38°
	1.00	0.71	2927	1665		1.00	0.71	2927	1665	
	2.00	1.41	732	416		2.00	1.41	732	416	
	3.00	2.12	325	185		3.00	2.12	325	185	
	4.00	2.82	183	104		4.00	2.82	183	104	
	5.00	3.53	117	67		5.00	3.53	117	67	

Pictures and Applications

