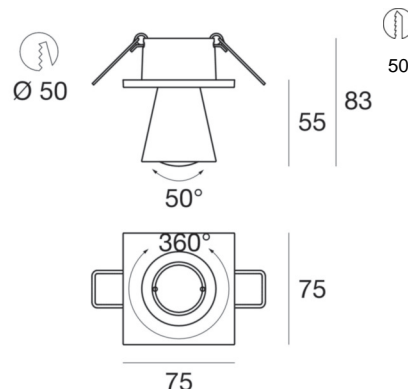




Downlights | topLED 2,0 W 500 mA | CRI 90  
7269



### Technical data

Type	Semi-recessed
Installation position	Ceiling
Installation environment	Indoor
Light Source	LED
Optics	General Lighting
Light emission direction	downward
Power	2 W
Source lumens	200 lm
Current intensity	500mA
CCT / Tone	3000 K
Colour rendering index	90 Ra
C.C. / C.V.	CC
Safety class	3
IP	IP40
Glow wire test	850°
Direct mounting on normally flammable surfaces	Yes
CE	Yes
ETL	No
Fire Rated (BS 476 PT21 compliant)	No
Driver included	No
Induction	No
Emergency mode	No
Motion sensor	No
Directional	Swivelling
total angle (vertical plane)	360 °
total angle (horizontal plane)	0 °
Tilting	Yes
total angle (horizontal plane)	50 °
total angle (vertical plane)	0 °
Walk-over	No
Drive-over	No
Cable included	No
Resin potting	No
Type of light emission	Single emission
Net weight	0.255 Kg
Electrostatic discharge protection	No
Surge protection	No

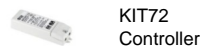
### Finishing casing

Material	Aluminium
Colour	embossed white RAL 9003
Processing	Coating

### Finishing diffuser

Material	PC
Colour	white
Processing	Satin finishing

### Electronics



KIT72  
Controller

Downlights | topLED 2,0 W 500 mA | CRI 90  
7269

Single emission downlights for indoor application. The warm white LED light source with a general lighting light distribution is composed of 1 powered LEDs with CCT of 3000 K and a CRI 90; the source luminous flux is 200 lm, with a 100.0 lm/W nominal luminous efficacy.

The device body is made of aluminium and features a embossed white ral 9003 finish, processed by means of coating; the diffuser is made of PC with a satin finishing treatment; the mounting frame is made of aluminium, with a embossed white ral 9003 finish, processed by means of coating. The ingress protection degree is IP40; the total weight is of 0.255 kg. The power supply driver is not provided and is to be ordered separately.

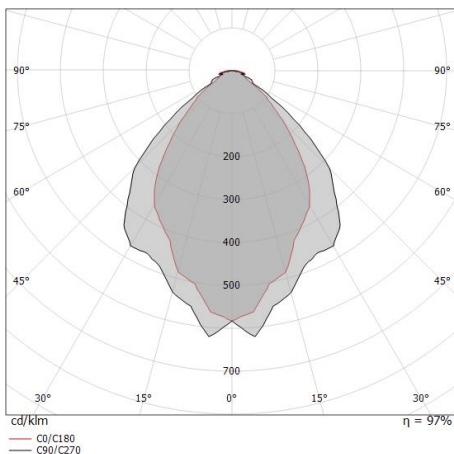
The total absorbed power is 2,0 W.

The device features protection class III and can be ceiling-mounted, with a 50 mm diameter hole (in plasterboard).

Illuminotechnical Features	
Light Output Ratio (LOR)	46 %
Source lumens	200 lm
Delivered lumens	92 lm
Consumption	1,6 W
Luminaire efficacy	57 lm/W
Colour temperature	3000 K
Standard Deviation of Colour Matching	3 Step MacAdam
Colour rendering index	90 Ra

UGR	
X=4H   Y=8H	S=0.25H
Reflection factor	70/50/20
UGR transversal	< 22
UGR axial	< 25

OPTICAL	
Light distribution simmetry	Asymmetrical
C0/C180 optics	72°
C90/C270 optics	91°



Distance [m]	Cone diameter [m]	illuminance [lx]
0.5	1.02 0.73	E(0°) 298 E(C90) 55 E(C0) 79
1.0	2.04 1.46	E(0°) 75 E(C90) 14 E(C0) 20
1.5	3.05 2.20	E(0°) 33 E(C90) 6 E(C0) 9
2.0	4.07 2.93	E(0°) 19 E(C90) 3 E(C0) 5
2.5	5.09 3.66	E(0°) 12 E(C90) 2 E(C0) 3
3.0	6.11 4.39	E(0°) 8 E(C90) 2 E(C0) 2

— C0/C180 (Half-peak divergence: 72.4°)  
— C90/C270 (Half-peak divergence: 91.0°)