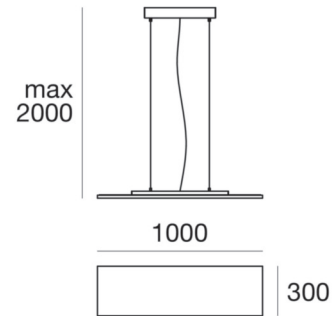
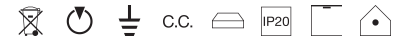




Pendant Luminaires | 220-240 V | topLED 35 W 700 mA | CRI 90  
7494



Technical data	
Installation position	Ceiling
Installation environment	Indoor
Light Source	LED
Optics	General Lighting
Light emission direction	downward
Power	35 W
Luminous flux (source)	4253 lm
Frequency	50 - 60 Hz
CCT / Tone	3000 K
Colour rendering index	90 Ra
Safety class	1
IP	IP20
Optical compartment IP	IP40
Glow wire test	650°
Direct mounting on normally flammable surfaces	Yes
CE	Yes
ETL	No
Fire Rated (BS 476 PT21 compliant)	No
Driver included	Driver
Induction	No
Emergency mode	No
Motion sensor	No
Directional	No
Tilting	No
Walk-over	No
Drive-over	No
Cable included	No
Resin potting	No
Type of light emission	Single emission
Net weight	7.400 Kg

Finishing casing	
Material	Iron
Colour	embossed white RAL 9003
Processing	Coating

Finishing diffuser	
Material	PMMA
Colour	white
Processing	Satin finishing

Pendant Luminaires | 220-240 V | topLED 35 W 700 mA | CRI 90  
7494

Single emission pendant luminaires for indoor application. The warm white LED light source with a general lighting light distribution is composed of 150 topLED LEDs with CCT of 3000 K and a CRI 90; the source luminous flux is 4253 lm, with a 121.5 lm/W nominal luminous efficacy.

The device body is made of iron and features a embossed white ral 9003 finish, processed by means of coating; the diffuser is made of pmma with a satin finishing treatment; the mounting frame is made of iron, with a embossed white ral 9003 finish, processed by means of coating. The ingress protection degree is IP20; the total weight is of 7.400 kg.

The total absorbed power is 35 W.

The device features protection class I and can be ceiling-mounted.

### Illuminotechnical Features

Light Output Ratio (LOR)	66 %
Luminous flux (source)	4253 lm
Luminaire luminous flux	2821 lm
Consumption	35 W
Luminaire efficacy	80 lm/W
Colour temperature	3000 K
Standard Deviation of Colour Matching	3 Step MacAdam
Colour rendering index	90 Ra

### Life / Failure Ratio

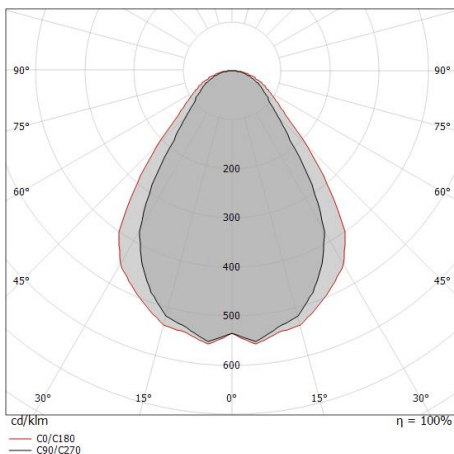
L80 B20 C0 80000h

### UGR

X=4H   Y=8H	S=0.25H
Reflection factor	70/50/20
UGR transversal	< 16
UGR axial	< 16

### OPTICAL

Light distribution simmetry	Asymmetrical
C0/C180 optics	82°
C90/C270 optics	71°



Distance [m]	Cone diameter [m]	Illuminance [lx]	E(0°)	E(C90)	E(C0)
0.5	0.71 0.88	6038	35.3°	1705	1349
1.0	1.42 1.75	1510	35.3°	426	337
1.5	2.12 2.63	671	35.3°	189	150
2.0	2.83 3.50	377	35.3°	107	84
2.5	3.54 4.38	242	35.3°	68	54
3.0	4.25 5.25	168	35.3°	47	37

— C0/C180 (Half-peak divergence: 82.4°)  
— C90/C270 (Half-peak divergence: 70.6°)