


MINIKYCLOS 230 2000LM 4000K WITH BASE
Design: Enrico Davide Bona and Elisa Nobile


Product code	Colour
717-621A-16	Black
717-621A-52	Silver, on demand
717-621A-21	Mat white

General Specifications

Product type	: Spotlights
Mounting type	: Ceiling - surface, Wall - surface
Description	: Compact spotlight with base, equipped with main voltage COB LED, without driver. It is dimmable on the mains (230V). Body in die-cast aluminium, with a front part in clear polycarbonate, backpainted for a brighter finish.

Indoor/outdoor lights	: Indoor
Applications	: Museums, Retail ,Shops, Showrooms

Lighting specifications

Average lamp life (h)	: 50.000
Lamp description	: LED 2000lm 19W 4000K
Nominal lumens on thermal regime	: 2000
Efficiency L.O.R. (%)	: 89
Delivered lumens (lm)	: 1780
Lamp wattage (W)	: 19
Color temperature (K)	: 4000

Physical Specifications

Body	: Die-cast aluminium
Finishes	: Polyester painted
Reflector	: Mirror-metallized thermoplastic material
Thermal Dissipation	: Passive

Electrical Specifications

Glow wire (°C)	: 850
Voltage (V)	: 230
Frequency (Hz)	: 50/60

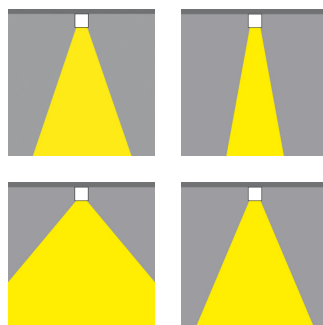
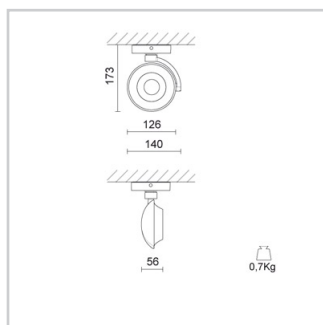
Weight and Dimensions

Width (mm)	: 140
Height (mm)	: 173
Weight (Kg)	: 0.7

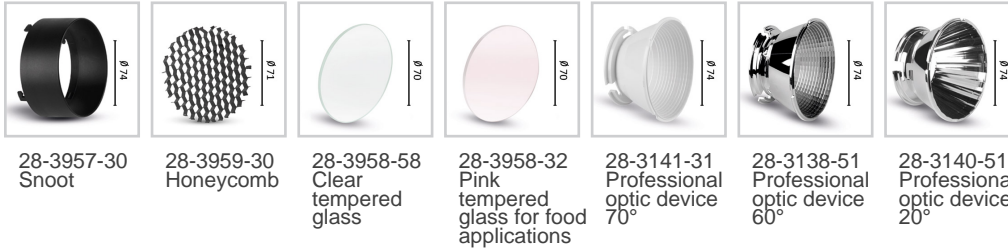
Optical Specifications


Light distribution	: Symmetric
Light emission	: Direct
Light beam	: 38°
Horizontal orientation	: 350°
Vertical tilt	: 350°
Note	: Honeycomb code 28-3959-30, pink tempered glass for food applications code 28-3958-58, closing screen cod. 28-3958-58 to be used only together with snoot code 28-3957-30. 20°, 60° (mirror metallized), 70° (white) optics are available on demand.

Unified Glare Rating (U.G.R.)	: <19
-------------------------------	-------

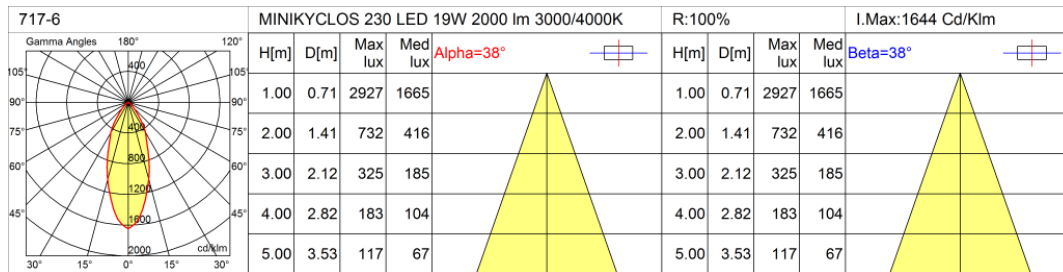


Accessories



Lamps	Lamp categories	Lamp type	Lamp wattage (W)	Nominal lumens on thermal regime (lm)	Color rendering (CRI)
	LED	COB LED	19	2000	80

Photometrics



Pictures and Applications

