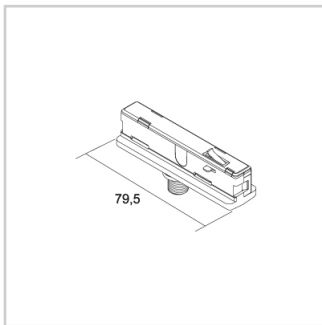
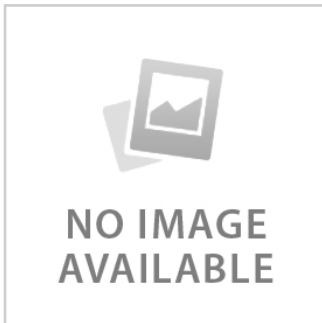




ELECTRO/MECHANICAL



Product code	Colour
--------------	--------

7800-00-20/30/31	100
------------------	-----

General Specifications

Description	: Electro/mechanical adapter 6A, load 5 Kg.
Indoor/outdoor lights	: Indoor

Physical Specifications

Packing quantity	: 10
Mechanical load (Kg)	: 5

Electrical Specifications

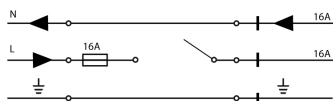
Current (A)	: 6
Glow wire (°C)	: 850

Weight and Dimensions

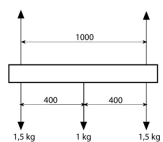
Length (mm)	: 79.5
-------------	--------

Pictures and Applications

SCHEMA ELETTRICO / WIRING DIAGRAMS



CAPACITÀ DI CARICO / LOAD CAPACITY



CAPACITÀ DI CARICO / LOAD CAPACITY

