



Product code	Colour
--------------	--------

234-239BN-21	Mat white
--------------	-----------

General Specifications

Product type	: Downlights
Mounting type	: Ceiling - recessed
Description	: Fixed downlight for accent lighting, designed for the last generation of COB LEDs. LED drivers should be ordered separately, the wattage of the fittings changes depending on the selected driver. Protection rating IP44. Low glare level: UGR < 10.

Indoor/outdoor lights	: Indoor
Applications	: Residential, Retail ,Shopping centres, Showrooms

Lighting specifications

Average lamp life (h)	: 50.000
Lamp description	: LED 700lm 8.5W 3000K
Nominal lumens on thermal regime	: 700
Efficiency L.O.R. (%)	: 91
Delivered lumens (lm)	: 637
Lamp wattage (W)	: 8.5
Color temperature (K)	: 3000

Physical Specifications

Body	: Die-cast aluminium
Finishes	: Polyester painted
Reflector	: Mirror-metallized thermoplastic material
Closing Screen	: Clear polycarbonate
Thermal Dissipation	: Passive

Electrical Specifications

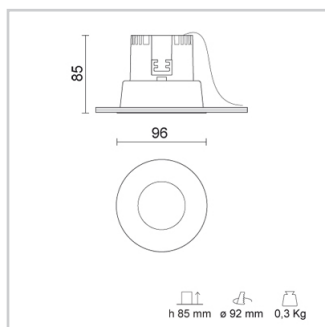
Glow wire (°C)	: 850
Driver	: Separate item
Driver mounting	: Remote

Weight and Dimensions

Shape	: Round
External diameter (mm)	: 96
False ceiling thickness (mm)	: 1-30
Height (mm)	: 85
Cutout shape	: Round
Cutout Diameter (mm)	: 92
Recessed depth (mm)	: 85
Weight (Kg)	: 0.3

Optical Specifications

Aiming	: Fixed
Light distribution	: Symmetric
Light emission	: Direct
Light beam	: 26°
Note	: 45° (mirror metallized), 65° (white) optics are available on demand.
Unified Glare Rating (U.G.R.)	: <10



Accessories

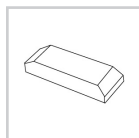


28-3868-31
Professional
optic device
65°




28-3868-51
Professional
optic device
45°

Drivers



81-04008
Driver 500mA
dimmable on
the mains
and 1-10V

Lamps

Lamp categories	Lamp type	Lamp wattage (W)	Nominal lumens on thermal regime (lm)	Color rendering (CRI)
	COB LED	8.5	700	90

Pictures and Applications

