



LIGHT KIT E.L.V. 3MT



Product code	Colour
6501-30-30	Black
6501-30-31	White
6501-30-42	Satin silver

General Specifications

Product type	: Tracks
Mounting type	: Ceiling - surface, Pendant
Description	: Low-voltage tracks
Indoor/outdoor lights	: Indoor

Physical Specifications

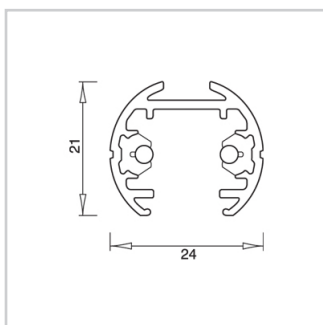
Load capacity (Kg)	: Load capacity per linear metre.
--------------------	-----------------------------------

Electrical Specifications

Current (A)	: 25
Voltage (V)	: 12

Weight and Dimensions

Length (mm)	: 3000
Width (mm)	: 24
Height (mm)	: 21



Pictures and Applications

