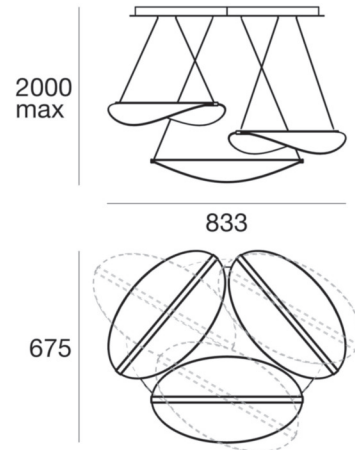
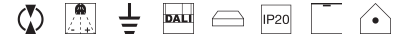


Pendant Luminaires | 220-240 V | topLED 42 W 900 mA | DALI | CRI 90
8168



| Technical data | |
|--|------------------|
| Installation position | Ceiling |
| Installation environment | Indoor |
| Light Source | LED |
| Optics | General Lighting |
| Light emission direction | downward |
| Power | 42 W |
| Luminous flux (source) | 5730 lm |
| Frequency | 60 - 50 Hz |
| CCT / Tonalità | 3000 K |
| Colour rendering index | 90 Ra |
| Safety class | 1 |
| IP | IP20 |
| Optical compartment IP | IP40 |
| Glow wire test | 650° |
| Direct mounting on normally flammable surfaces | Yes |
| CE | Yes |
| ETL | No |
| Driver included | Yes |
| Dimmable article | DALI |
| Induzione | No |
| Emergency mode | No |
| Motion sensor | No |
| Directional | Yes |
| Tilting | No |
| Walk-over | No |
| Drive-over | No |
| Cable included | No |
| Resin potting | No |

| Finishing casing | |
|------------------|-------------------------|
| Material | Aluminium |
| Colour | embossed white RAL 9003 |
| Processing | Coating |

| Finishing diffuser | |
|--------------------|------------------|
| Material | PMMA |
| Colour | transparent |
| Processing | Laser engravings |

| Finishing mounting frame | |
|--------------------------|-------------------------|
| Material | Iron |
| Colour | embossed white RAL 9003 |
| Processing | Coating |



Pendant Luminaires | 220-240 V | topLED 42 W 900 mA | DALI | CRI 90
8168

Double emission pendant luminaires for indoor application. The warm white LED light source with a general lighting light distribution is composed of 200 topped LEDs with CCT of 3000 K and a CRI 90; the source luminous flux is 5730 lm, with a 136.4 lm/W nominal luminous efficacy and an operating lifetime (L80) of 80000 hours.

The device body is made of aluminium and features a embossed white ral 9003 finish, processed by means of coating; the diffuser is made of pmma with a laser engravings treatment; the mounting frame is made of iron, with a embossed white ral 9003 finish, processed by means of coating. The ingress protection degree is IP20; The power supply driver is included in the delivery.

The total absorbed power is 42 W.

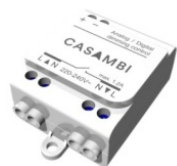
The device features protection class I and can be ceiling-mounted.

| Illuminotechnical Features | |
|---------------------------------------|----------------|
| Light Output Ratio (LOR) | 76 % |
| Luminous flux (source) | 5730 lm |
| Luminaire luminous flux | 4370 lm |
| Consumption | 42 W |
| Luminaire efficacy | 104 lm/W |
| Colour temperature | 3000 K |
| Standard Deviation of Colour Matching | 3 Step MacAdam |
| Colour rendering index | 90 Ra |
| Life / Failure ratio | L80C0B20 |

| OPTICAL | |
|-----------------------------|--------------|
| Light distribution simmetry | Asymmetrical |
| Optica C90/C270 | 180° |



Diphy_P | Pendant Luminaires | Accessories
8168



Dimmer
Bluetooth, 220-240V

Code
KIT0079