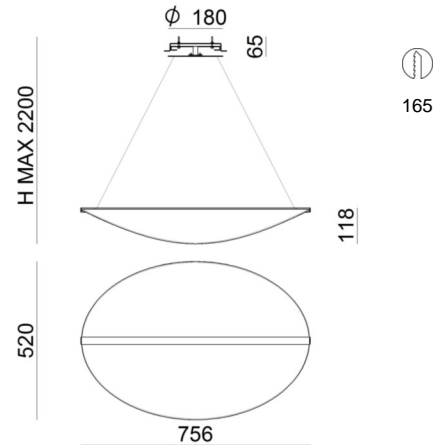




Pendant Luminaires | 220-240 V | topLED 40 W 1000 mA | CRI 90
8171



Technical data	
Installation position	Ceiling
Installation environment	Indoor
Light Source	LED
Optics	General Lighting
Light emission direction	downward
Power	40 W
Luminous flux (source)	5794 lm
Frequency	60 - 50 Hz
CCT / Tonalità	3000 K
Colour rendering index	90 Ra
AC / DC	AC-DC
Safety class	1
IP	IP20
Glow wire test	650°
Direct mounting on normally flammable surfaces	Yes
CE	Yes
ETL	No
Driver included	Yes
Dimmable article	Phase cut
Induzione	No
Emergency mode	No
Motion sensor	No
Directional	No
Tilting	No
Walk-over	No
Drive-over	No
Cable included	No
Resin potting	No

Finishing casing

Material	Aluminium
Colour	embossed white RAL 9003
Processing	Coating

Finishing diffuser

Material	PMMA
Colour	transparent
Processing	Laser engravings

Finishing mounting frame

Material	Iron
Colour	embossed white RAL 9003
Processing	Coating



Pendant Luminaires | 220-240 V | topLED 40 W 1000 mA | CRI 90
8171

Double emission pendant luminaires for indoor application. The warm white LED light source with a general lighting light distribution is composed of 140 topped LEDs with CCT of 3000 K and a CRI 90; the source luminous flux is 5794 lm, with a 144.9 lm/W nominal luminous efficacy and an operating lifetime (L80) of 80000 hours.

The device body is made of aluminium and features a embossed white ral 9003 finish, processed by means of coating; the diffuser is made of pmma with a laser engravings treatment; the mounting frame is made of iron, with a embossed white ral 9003 finish, processed by means of coating. The ingress protection degree is IP20; The power supply driver is included in the delivery.

The total absorbed power is 40 W.

The device features protection class I and can be ceiling-mounted, with a 165 mm diameter hole (in plasterboard).

Illuminotechnical Features	
Light Output Ratio (LOR)	71 %
Luminous flux (source)	5794 lm
Luminaire luminous flux	4159 lm
Consumption	40 W
Luminaire efficacy	103 lm/W
Colour temperature	3000 K
Standard Deviation of Colour Matching	3 Step MacAdam
Colour rendering index	90 Ra
Life / Failure ratio	L80C0B20

OPTICAL	
Light distribution simmetry	Asymmetrical
Optica C90/C270	180°



Dimmer
PUSH DIM, 220-240V

Code
KIT0026



Dimmer
Bluetooth, 85-240V

Code
KIT0080