


KYCLOS 6400LM
Design: Enrico Davide Bona and Elisa Nobile


Product code	Colour
725-562-21	Mat white
725-562-16	Black

General Specifications

Product type	: Spotlights
Mounting type	: LKM 3-phase track
Description	: Kyclos is a spotlight for electrified tracks, specially developed for LED COB sources of the last generation. Body in die-cast aluminium without visible screws, with in the front part in clear polycarbonate, rear painted for a brighter finish. Accessoried with optics for other beams.

Indoor/outdoor lights	: Indoor
Applications	: Art-galleries, Museums, Retail, Showrooms

Lighting specifications

Average lamp life (h)	: 50.000
Lamp description	: LED 6400lm 51W 3000K
Nominal lumens on thermal regime	: 6400
Efficiency L.O.R. (%)	: 85,3
Delivered lumens (lm)	: 5459
Lamp wattage (W)	: 51
Color temperature (K)	: 3000

Physical Specifications

Body	: Die-cast aluminium
Finishes	: Polyester painted
Reflector	: Mirror-metallized thermoplastic material
Thermal Dissipation	: Passive

Electrical Specifications

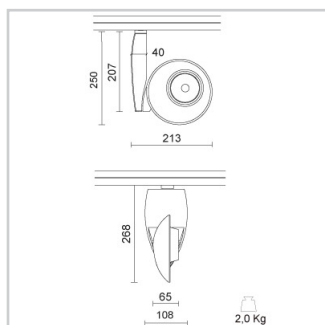
Glow wire (°C)	: 850
Driver	: Included
Driver mounting	: Integrated
Voltage (V)	: 220/240
Frequency (Hz)	: 50/60


Weight and Dimensions

Width (mm)	: 213
Height (mm)	: 250
Weight (Kg)	: 2

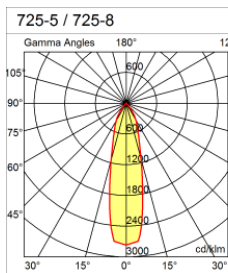
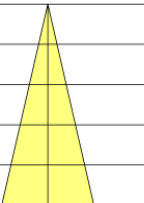
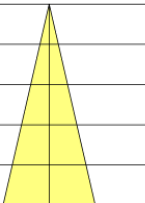
Optical Specifications

Light distribution	: Symmetric
Light emission	: Direct
Light beam	: 30°
Horizontal orientation	: 350°
Vertical tilt	: 350°
Note	: Honeycomb code 28-3959-30, pink tempered glass for food applications code 28-3958-58, closing screen cod. 28-3958-58 to be used only together with snoot code 28-3957-30. 17°, 55° (mirror metallized), 70° (white) optics are available on demand



Lamps	Lamp categories	Lamp type	Lamp wattage (W)	Nominal lumens on thermal regime (lm)	Color rendering (CRI)	Delivered lumens (lm)
	LED	COB LED	51	6400	85	5485

Photometrics

725-5 / 725-8 Gamma Angles 180° 120° 90° 75° 60° 45° 30° 15° 0° 15° 30° cd/klm	KYCLOS LED 51W 6400 lm				Alpha=25°	R: 100%				Beta=25°	I. Max: 2764 Cd/Klm			
	H[m]	D[m]	Max lux	Med lux		H[m]	D[m]	Max lux	Med lux		H[m]	D[m]	Max lux	Med lux
	1.00	0.46	15012	9674		1.00	0.46	15012	9674		1.00	0.46	15012	9674
	2.00	0.92	3753	2418		2.00	0.92	3753	2418		2.00	0.92	3753	2418
	3.00	1.38	1668	1075		3.00	1.38	1668	1075		3.00	1.38	1668	1075
	4.00	1.84	938	605		4.00	1.84	938	605		4.00	1.84	938	605
	5.00	2.30	600	387		5.00	2.30	600	387		5.00	2.30	600	387

Pictures and Applications

