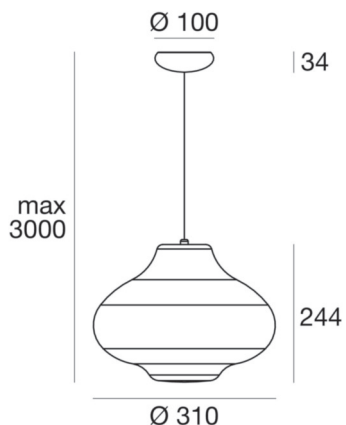




Pendant Luminaires | 220-240 V | 1xE27  
8389



| Technical data                                 |                  |
|--|------------------|
| Type   | Surface          |
| Installation position                          | Ceiling          |
| Installation environment                       | Indoor           |
| Lamp cap                                       | 1 x E27 Max 46W  |
| Frequency                                      | 50-60 Hz         |
| Optics   | General Lighting |
| Light emission direction                       | downward         |
| Safety class                                   | 1                |
| IP   | IP20             |
| Glow wire test                                 | 650°             |
| Direct mounting on normally flammable surfaces | Yes              |
| CE   | Yes              |
| ETL  | No               |
| Fire Rated (BS 476 PT21 compliant)             | No               |
| Induction                                      | No               |
| Motion sensor                                  | No               |
| Directional                                    | No               |
| Tilting  | No               |
| Walk-over                                      | No               |
| Drive-over                                     | No               |
| Cable included                                 | No               |
| Resin potting                                  | No               |

| Finishing diffuser |         |
|--------------------|---------|
| Material           | PE      |
| Colour             | neutral |



Pendant Luminaires | 220-240 V | 1xE27  
8389

Double emission pendant luminaires for indoor application. Compatibility:  
LED lamp, compact fluo 30 W, halogen 46 W; lamp cap 1xE27.

The diffuser is made of pe; the mounting frame is made of aluminium,  
with a copper finish, processed by means of electroplating. The ingress  
protection degree is IP20; the total weight is of -- kg.

The device features protection class I and can be ceiling-mounted.

| Illuminotechnical Features |         |
|----------------------------|---------|
| Light Output Ratio (LOR)   | 100 %   |
| Source lumens              | 700 lm  |
| Delivered lumens           | 700 lm  |
| Consumption                | 46 W    |
| Luminaire efficacy         | 15 lm/W |
| Colour temperature         | 2800 K  |
| Colour rendering index     | 100 Ra  |

| UGR               |          |
|-------------------|----------|
| X=4H   Y=8H       | S=0.25H  |
| Reflection factor | 70/50/20 |
| UGR transversal   | < 16     |
| UGR axial         | < 16     |

| OPTICAL                     |             |
|-----------------------------|-------------|
| Light distribution simmetry | Symmetrical |
| C0/C180 optics              | 180°        |

